

Jøtul F 105

UK	-	Installation and operating instructions	3
FR	-	Manuel d'installation et d'utilisation	26
ES	-	Instrucciones para instalación	47
IT	-	Manuale di installazione ed uso	68



Jøtul F 105 B



Jøtul F 105 LL



Jøtul F 105 SL

Table of contents

1.0 Technical data 3

2.0 Relationship to the authorities 3

3.0 Safety 4

4.0 Installation 10

5.0 Daily Use 20

6.0 Maintenance 21

7.0 Servicing 22

8.0 Optional Extras 24

9.0 Recycling 25

10.0 Warranty 25

1.0 Relationship to the authorities

- Installation of a fireplace must be carried out in compliance with national laws and regulations. All local ordinances, including those that refer to national and European standards, must be complied with when products are installed.
- The installation can only be put into use after it has been checked by a qualified inspector.
- Contact your local building authorities before installing a new fireplace.

2.0 Technical data

Material:	Cast iron
Finish:	Paint / enamel
Fuel:	Wood
Log length, max:	33 cm
Smoke outlet:	Top, rear
Flue pipe dimension:	Ø 125 mm
Outside air connection:	Ø 80 mm

Product weight:

Burnchamber with short legs:	94 kg
Burnchamber with long legs:	97 kg
Burnchamber with base:	107 kg
Soapstone top:	14,5 kg
Optional extras	Ash lip, kit for outside air connection, soapstone top, ash lip for Jøtul F 105 with legs, handle for ash pan.

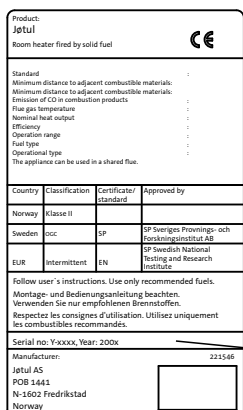
Product dimensions, distances: See Fig. 1

Technical data in acc. with EN 13240

Nominal heat output:	4,5 kW
Flue gas volume:	4,2 g/s
Chimney draught, EN 13240:	12 Pa
Recommended negative pressure in smoke outlet:	14-16 Pa
Efficiency:	83% @ 5,2 kW
CO emissions (13% O ₂):	0,09%
CO emissions (13% O ₂):	1101 mg / Nm ³
NOx at 13% O ₂ :	99 mg / Nm ³
OGC @ 13 % O ₂ :	76 mg/Nm ³
Particle emission NS 3059:	2,7 g / kg
Air consumption:	3,4 litre/sec or 12,2 m ³ /h
Chimney temperature, EN 13240:	231 °C
Temperature in smoke outlet:	277 °C
Dust:	<7 mg/Nm ³ @ 13% O ₂

Type of fuel:	Wood
Max. log length:	33 cm
Fuel consumption:	1,51 kg/h
Max. kindling amount:	2,0 kg
Nominal kindling amount:	1,1 kg
Operation:	Intermittent

Intermittent combustion here means normal use of a fireplace, i.e. add more fuel as soon as the fire has burned down to embers.



On all our products there is a label indicating the serial number and year. Write this number in the place indicated in the installation instructions.

Always quote this serial number when contacting your retailer or Jøtul.

Serial no.

ENGLISH

3.0 Safety

NB! To guarantee optimal performance and safety, Jøtul recommends that its stoves are fitted by a qualified installer (see www.jotul.com for a complete list of dealers).

Any modifications to the product by the distributor, installer or consumer may result in the product and safety features not functioning as intended. The same applies to the installation of accessories or optional extras not supplied by Jøtul. This may also be the case if parts that are essential to the functioning and safety of the fireplace have been disassembled or removed.

In all these cases, the manufacturer is not responsible or liable for the product and the right to make a complaint becomes null and void.

The Clean Air Act

“The Clean Air Act 1993 and Smoke Control Areas”

Under the Clean Air Act local authorities may declare the whole or part of the district of the authority to be a smoke control area. It is an offence to emit smoke from a chimney of a building, from a furnace or from any fixed boiler if located in a designated smoke control area. It is also an offence to acquire an “unauthorised fuel” for use within a smoke control area unless it is used in an “exempt” appliance (“exempted” from the controls which generally apply in the smoke control area).

The Secretary of State for Environment, Food and Rural Affairs has powers under the Act to authorise smokeless fuels or exempt appliances for use in smoke control areas in England. In Scotland and Wales this power rests with Ministers in the devolved administrations for those countries. Separate legislation, the Clean Air (Northern Ireland) Order 1981, applies in Northern Ireland. Therefore it is a requirement that fuels burnt or obtained for use in smoke control areas have been “authorised” in Regulations and that appliances used to burn solid fuel in those areas (other than “authorised” fuels) have been exempted by an Order made and signed by the Secretary of State or Minister in the devolved administrations.

Further information on the requirements of the Clean Air Act can be found here : <https://www.gov.uk/smoke-control-area-rules>. Your local authority is responsible for implementing the Clean Air Act 1993 including designation and supervision of smoke control areas and you can contact them for details of Clean Air Act requirements”.

Your local authority is responsible for implementing the Clean Air Act 1993 including designation and supervision of smoke control areas and you can contact them for details of Clean Air Act requirements”

“The Jotul F 305 Base, Jotul F305 long Legs and Jotul F305 Short Legs has been recommended as suitable for use in smoke control areas when burning Wood Logs.”

3.1 Fire Prevention Measures

There is a certain element of danger every time you use your fireplace. The following instructions must therefore be followed:

- The minimum safety distances when installing and using the fireplace are given in **fig. 1**.
- Ensure that furniture and other flammable materials are not too close to the fireplace. Flammable materials should not be placed within 900 mm of the fireplace.
- Allow the fire to burn out. Never extinguish the flames with water.
- The fireplace becomes hot when lit and may cause burns if touched.
- Only remove ash when the fireplace is cold. Ash can contain hot embers and should therefore be placed in a non-flammable container.
- Ash should be placed outdoors or be emptied in a place where it will not present a potential fire hazard.

In case of chimney fire:

- Close all hatches and vents.
- Keep the firebox door closed.
- Check the loft and cellar for smoke.
- Call the fire service.
- Before use after a fire an expert must check the fireplace and the chimney in order to ensure that it is fully functional.

Steel chimney

If a top-mounted steel chimney is used, fit an uninsulated pipe from the burn chamber to approx. 10 mm over the top grate. Make sure that the gasket is properly seated between the flue pipe and the smoke outlet. Then fit the steel chimney in accordance with the chimney supplier’s installation instructions.

3.2 Floor

Foundation

You need to make sure the foundation is suitable for a fireplace. See “**2.0 Technical Data**” for specified weight.

We recommend the removal of any flooring that is not attached to the foundation (“floating floors”) beneath the installation.

Jøtul F 105 SL (with short legs)

Jøtul F 105 SL can only be installed on a constructional hearth which must have an extension of minimum 500 mm in front of the stove. This applies also if the product rests on a floor plate. For further information please see Approved Document J2010 Section 2.22.

Requirements for protection of wooden flooring beneath the fireplace

The function of a floor plate is to protect the floor and flammable materials against embers.

Jøtul F 105 with legs must have a floorplate below and in front according to national standards and regulations.

Important! The space under the burnchamber of Jøtul F 105 with legs cannot be used for storage.

Any inflammable floor coverings, such as linoleum, carpets, etc. must be removed from under the product.

Requirements for protection of inflammable floors in front of the fireplace

The front plate must comply with national laws and regulations. Contact your local building authorities regarding restrictions and installation requirements.

3.3 Walls

Distance to walls made of combustible material - see fig. b

Distance to combustible wall protected by firewall: See fig. 1c.

The fireplace may be used with an uninsulated flue pipe provided the distances between the fireplace and walls made of combustible materials are as shown in **fig. 1b**. Alternative distances with shielded or insulated flue pipe are also displayed in fig. 1b.

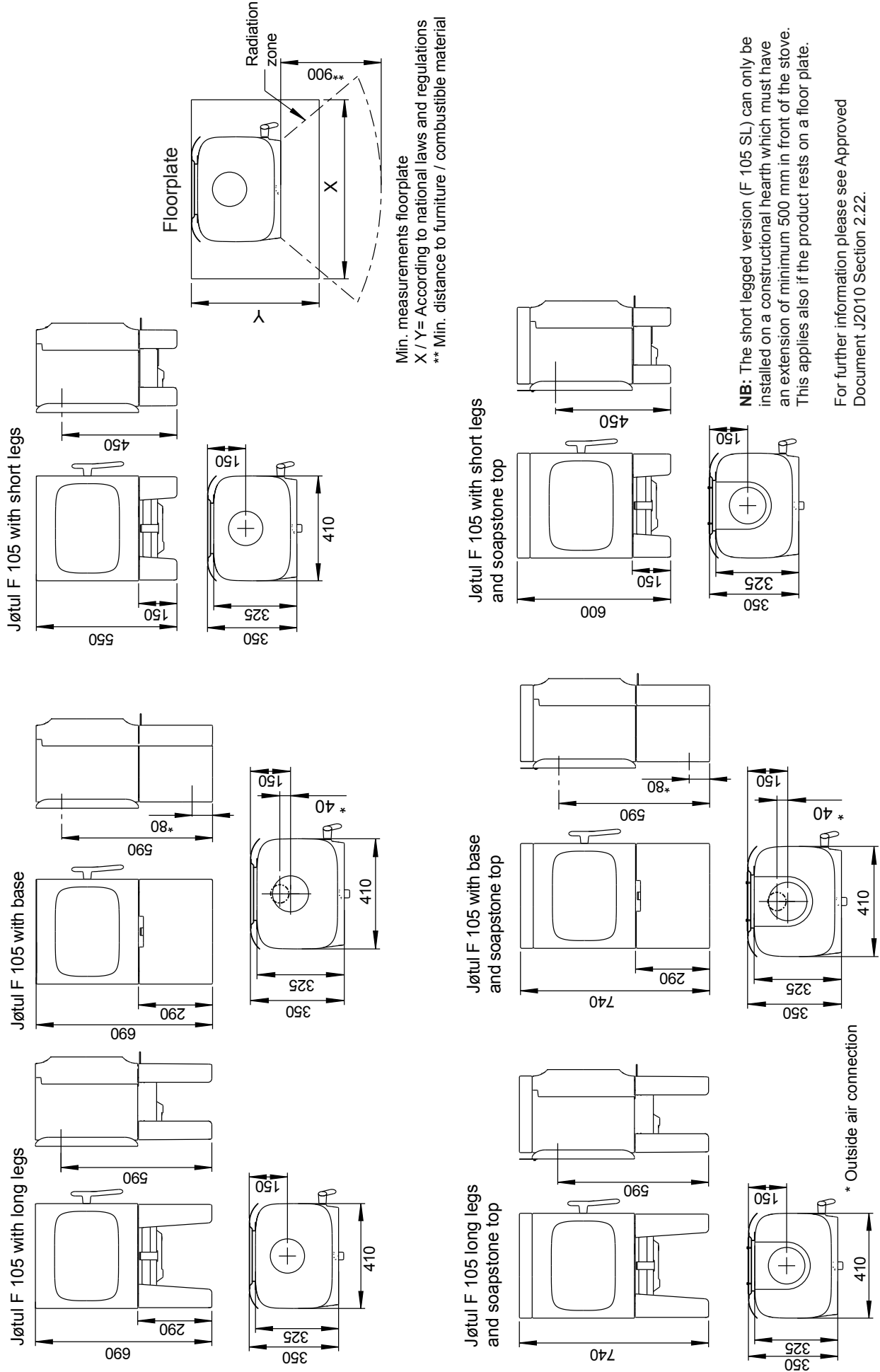
NB: Place the product in such a way that it is possible to clean the stove, the flue pipe and the chimney passage.

Note! Ensure that furniture and other flammable materials are not too close to the fireplace. Flammable materials should not be placed within 900 mm of the fireplace.

NB: Make sure that furniture and other household items are not so close as to get dried up by the stove.

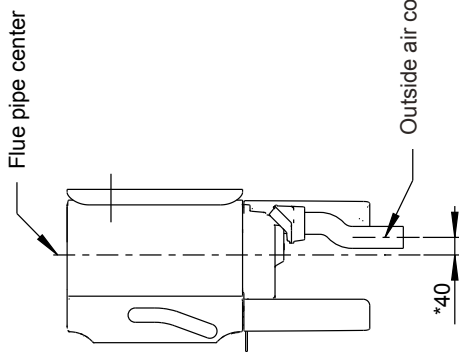
Jøtul F 105

Fig. 1 a

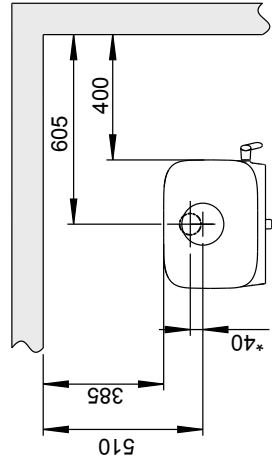


Min. distance to combustible wall

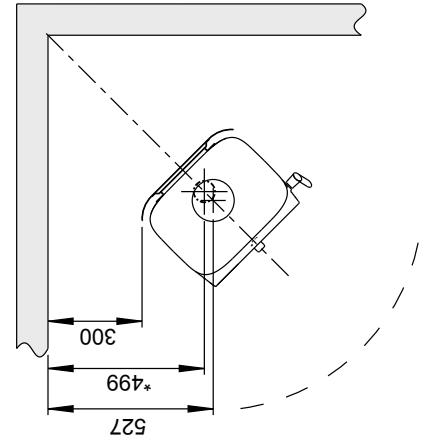
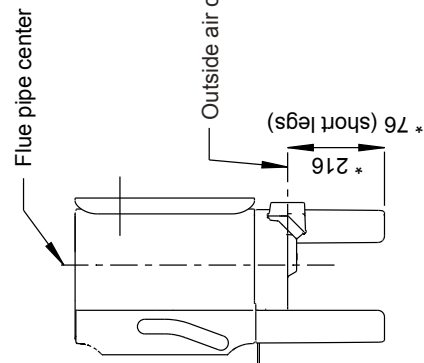
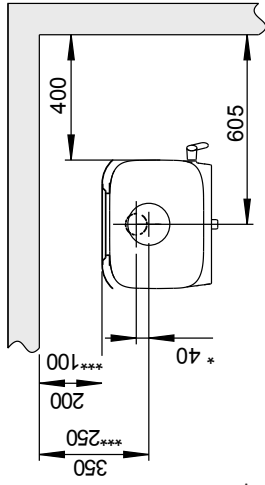
Fig. 1 b



Without standard convection shield



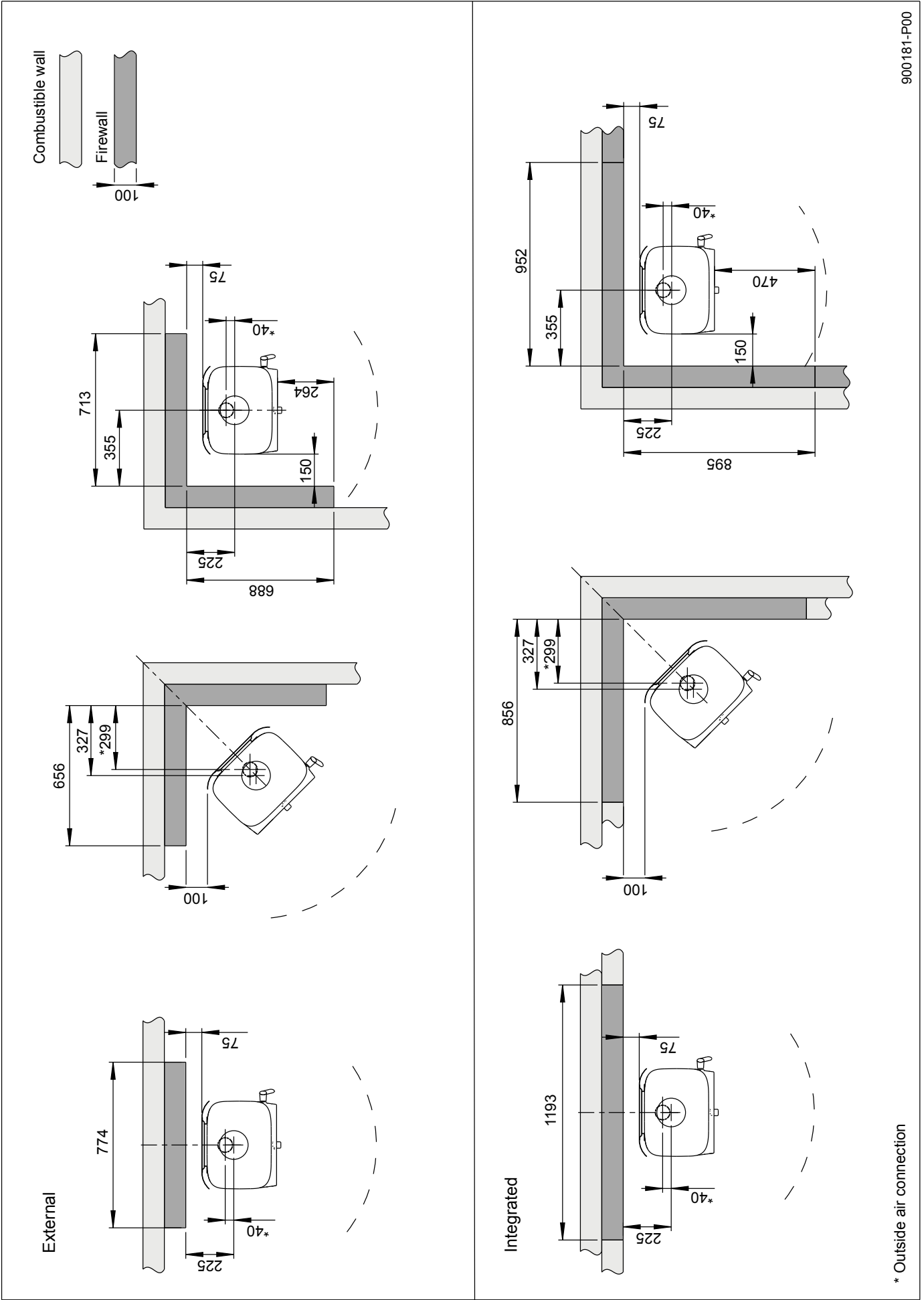
With standard convection shield



* Outside air connection

*** Distance to combustible wall with semi-insulated / shielded flue pipe (min. 30 mm insulation)

Fig. 1 c Min. distance to combustible wall protected by firewall



* Outside air connection

900181-P00

Fresh air supply

The air used for combustion in any well-insulated house needs to be replaced. This is particularly important in houses with mechanical ventilation. Such replacement air can be procured in several ways. The most important thing is to supply the air to the room where the stove is placed. Place the outside wall valve as close to the stove as possible and make sure that it can be closed when the stove is not in use.

For the fresh air supply connection, follow the national and local building regulations.

Closed combustion system

Use the stove's closed combustion system if you live in recently built, airtight dwellings. Connect the external combustion air through a ventilation pipe through the wall or the floor.

Air supply

The amount of combustion air for Jøtul's products is approximately 20-40 m³/h. The outside air connection may be fitted directly to the Jøtul F 105 through:

- the bottom
- through a flexible supply hose from the outside/chimney (only if the chimney has its own duct for external air) and to the product's outside air connector.

Fig. 2A, through an outside wall

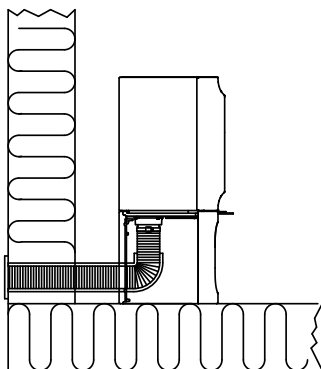


Fig. 2B, through the floor and ground plate

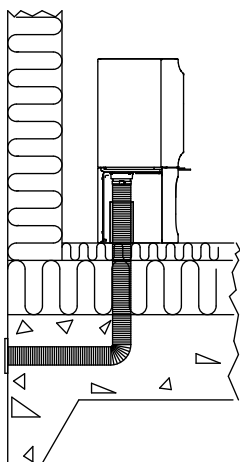


Fig. 2C, through the floor and basement

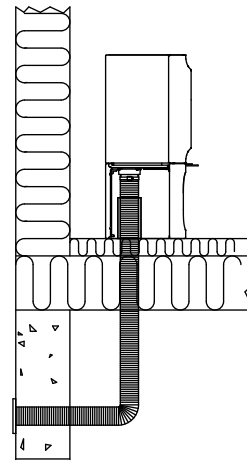
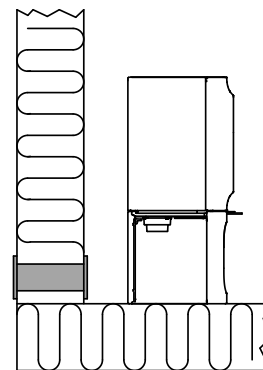


Fig. 2D, indirectly through an outside wall



ENGLISH

4.0 Installation

NB: Check that the fireplace is undamaged before installation begins.

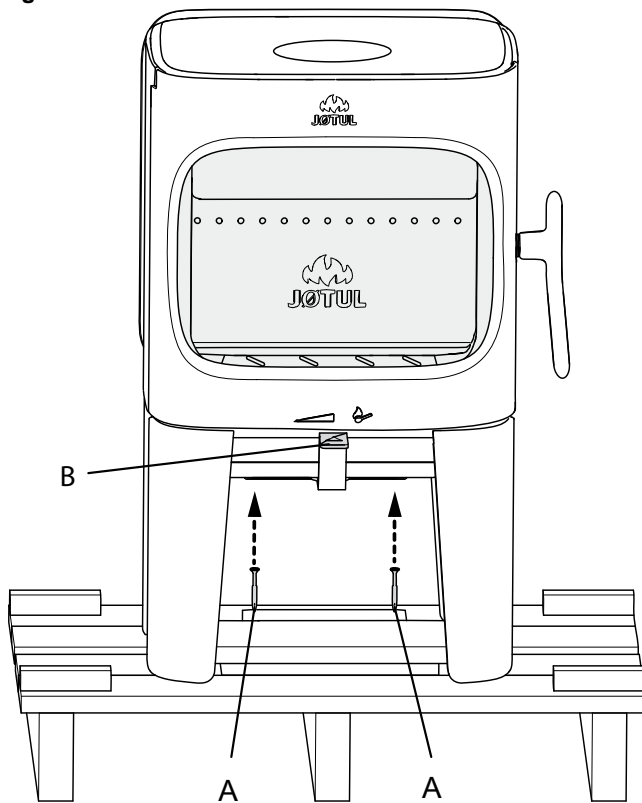
NB: The product is heavy! Ensure you have help when positioning and installing it. Make sure the product does not topple over.

NB: Do not place anything on the top plate of the stove as this could cause permanent damage to the paint.

NB: Read the Installation and Operating instructions carefully before installing the fireplace!

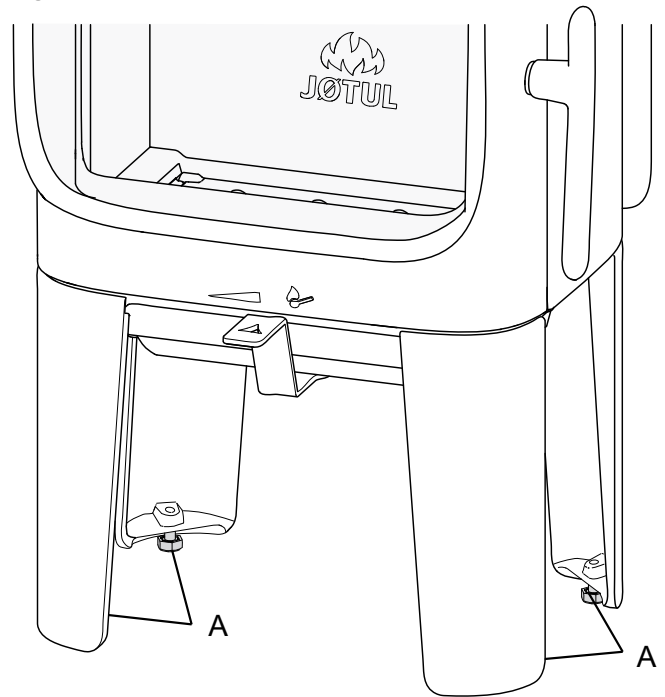
4.1 Prior to installation - Jøtul F 105 with long legs

Fig. 3



1. Remove the two transport screws (**A**) that fasten the stove to the wooden pallet.
2. Leave the stove standing on the transport pallet.
3. Take out the glove, bag of screws, external air connector and adapter lying in the burn chamber.
4. Check that the control lever (**B**) moves easily.

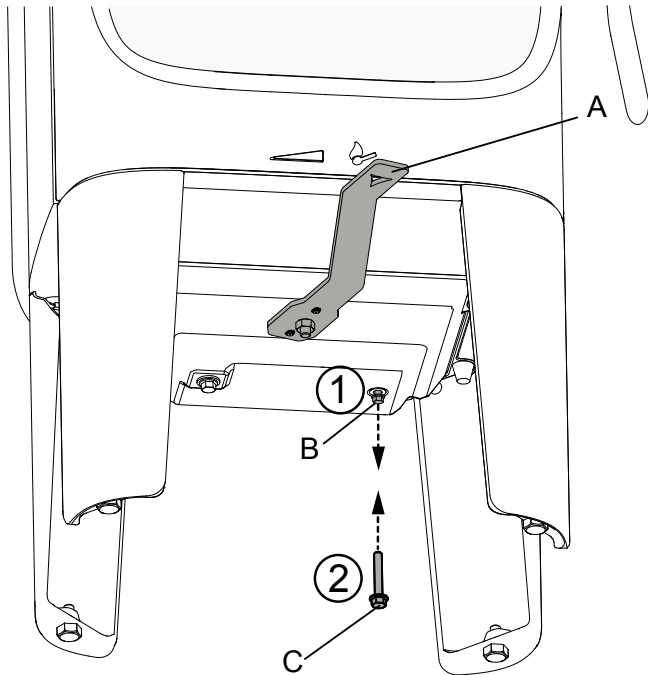
Fig. 4



5. Lift the stove from the pallet.
6. Set up the stove and adjust using a cap wrench to a horizontal position with the 4 height adjustment screws. Mark on the wall if there has to be a rear outlet for flue pipe and external air supply. **NB: Take into account the height of the floor plate.**

Requirement for UK

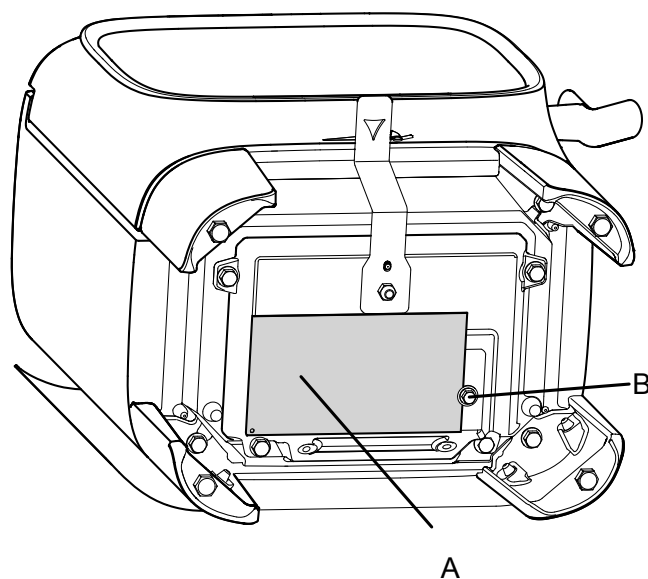
Fig. 5



1. Push the air vent (A) to the right.
2. Unscrew the screw (B).
3. Fasten the 40 mm screw (C) from the bag of screws.

Approval label

Fig. 6



1. Take the approval label (A) out of the burn chamber and fasten it with the screw (B), as displayed. Tighten the screw with a cap wrench. **NB: Do not cut off the wire used for fastening the label.**

4.2 Preparations for Jøtul F 105 with short legs

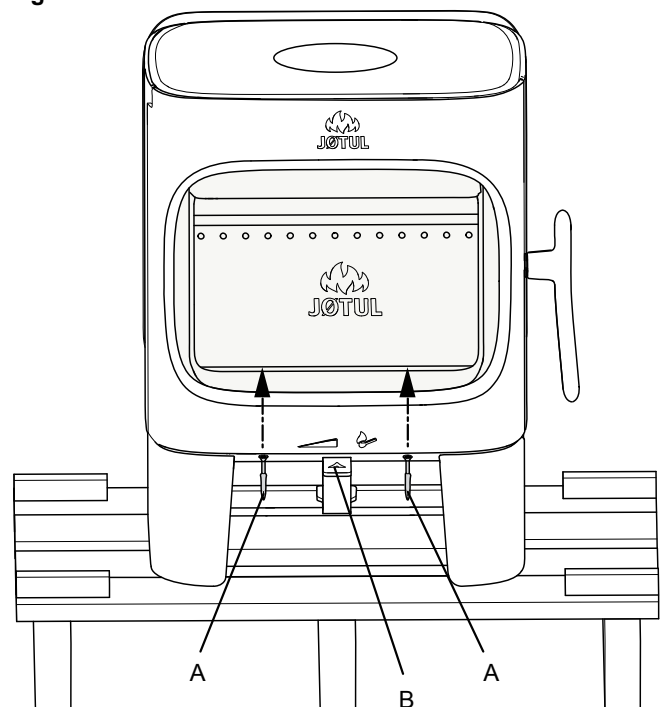
Jøtul F 105 SL (with short legs) can only be installed on floors whose surface and structure are both made of non-flammable materials. This applies also if the product rests on a floor plate.

NB: The non-flammable area must extend to at least 500 mm in front of the stove.

NB: We advise against installing underfloor heating (whether water or electric) in this area.

For further information please see Approved Document J2010 Section 2.22.

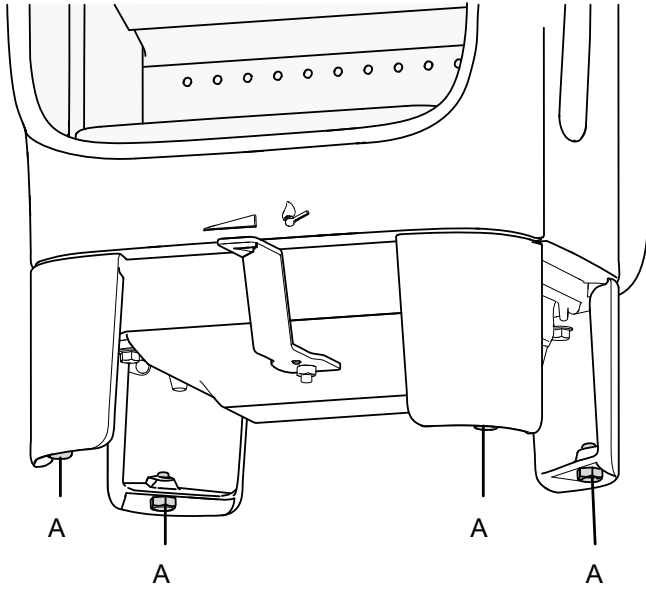
Fig. 7



1. Remove the two transport screws (A) that fasten the stove to the wooden pallet.
2. Leave the stove standing on the transport pallet.
3. Take out the gloves, baffle, bag of screws, external air connector and adapter lying in the burn chamber.
4. Check that the control lever (B) moves easily.

ENGLISH

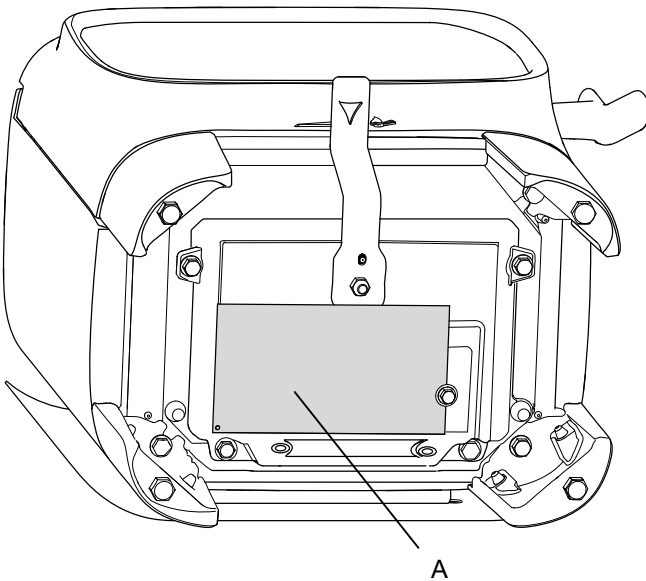
Fig. 8



5. Lift the stove from the pallet.
6. Set up the stove and adjust using a cap wrench to a horizontal position with the 4 height adjustment screws. Mark on the wall if there has to be a rear outlet for flue pipe and external air supply. **NB: Take into account the height of the floor plate.**

Approval label

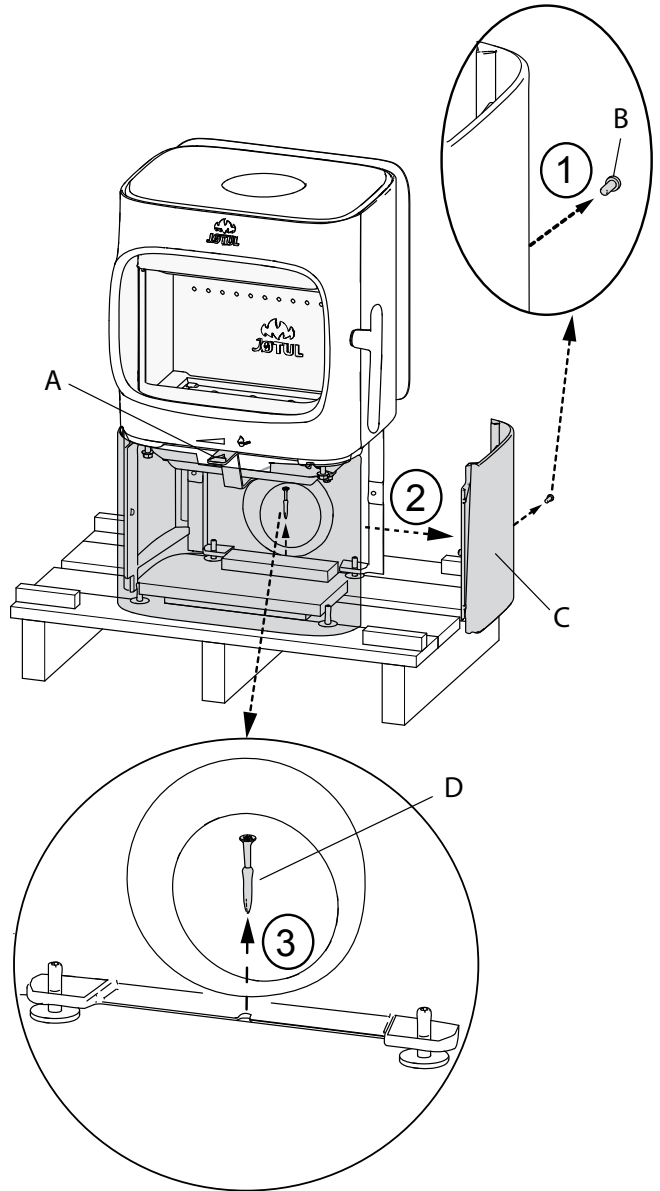
Fig. 9



7. Take the approval label (A) out of the burn chamber and fasten it with the screw (B), as displayed. Tighten the screw with a cap wrench. **NB: Do not cut off the wire used for fastening the label.**

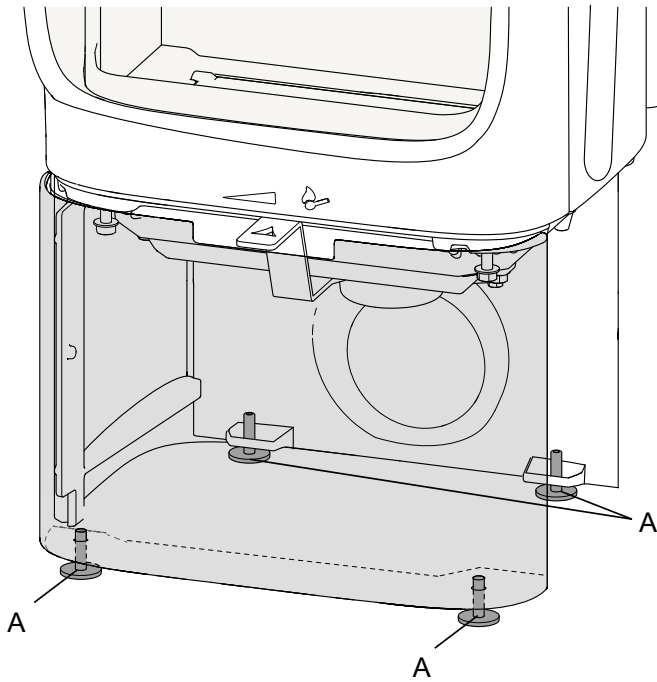
4.3 Preparations for Jøtul F 105 with base

Fig. 10



8. Take out the gloves, baffle, bag of screws, external air connector and adapter lying in the burn chamber.
9. 1. Unscrew the screw placed in the middle of the rear side of the side plate.
2. Remove the side plate (C).
3. Remove the transport screw (D) that fastens the stove to the wooden pallet.
10. Check that the control lever (A) moves easily.
11. Lift the stove from the pallet and set it up (see fig. 1).

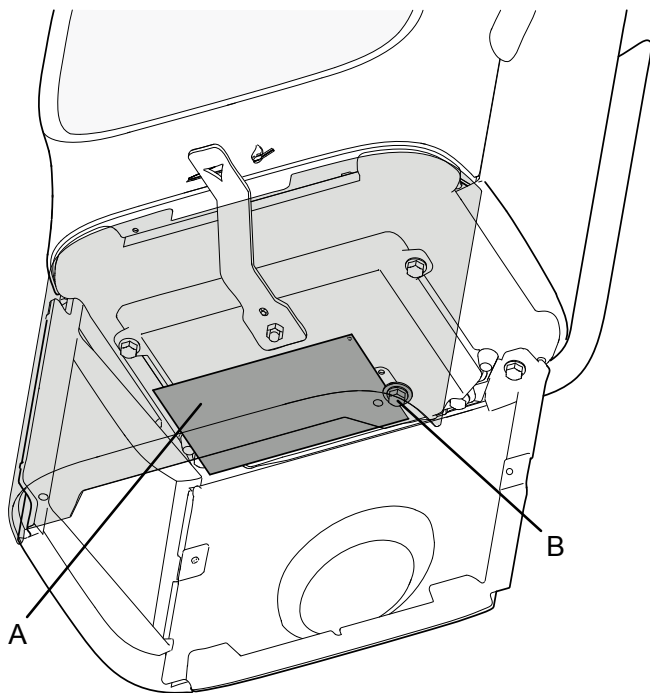
Fig. 11



12. Lift the stove from the pallet.
13. Set up the stove and adjust to a horizontal position with the 4 height adjustment screws. Use the hex key placed in the bag of screws. Mark on the wall if there has to be a rear outlet for flue pipe and external air supply. **NB: Take into account the height of the floor plate.**

Approval label

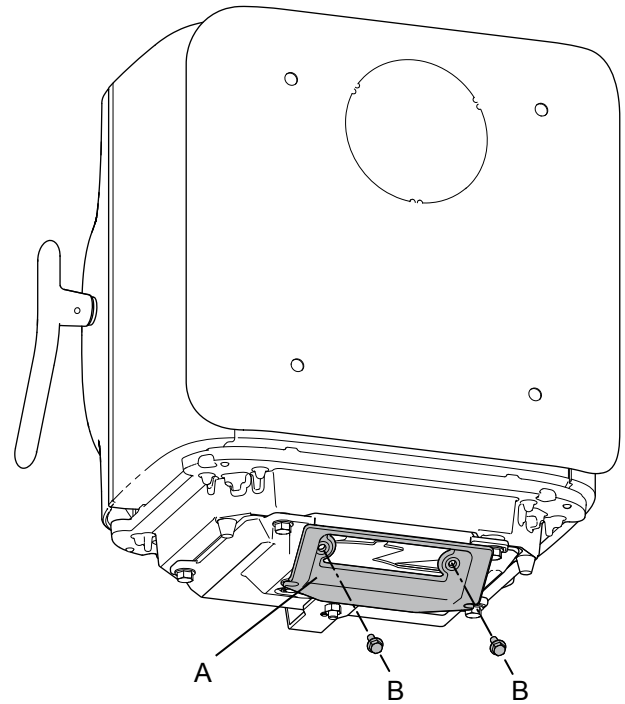
Fig. 12



14. Take the approval label (A) out of the burn chamber and fasten it with the screw (B), as displayed. Tighten the screw with a cap wrench. **NB: Do not cut off the wire used for fastening the label.**

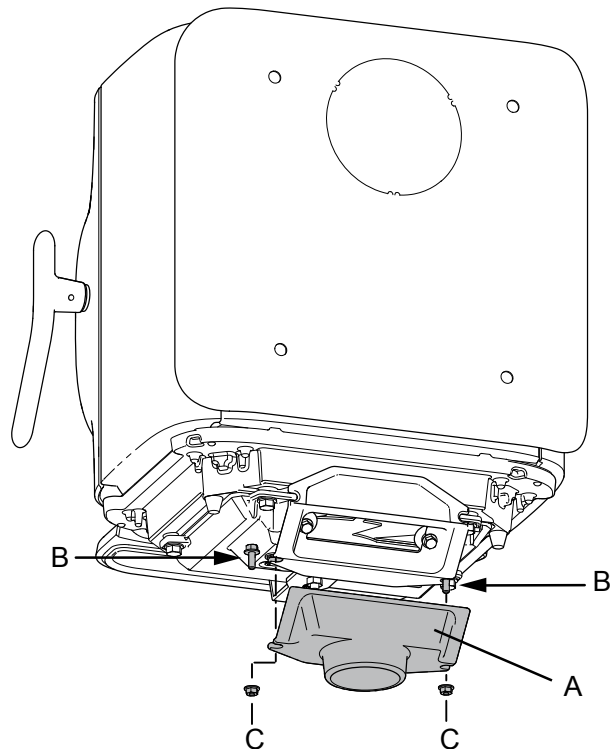
External air supply through the floor

Fig. 13



1. Fasten the adapter (A) to the bottom side of the burn chamber using the accompanying screws (B).

Fig. 14

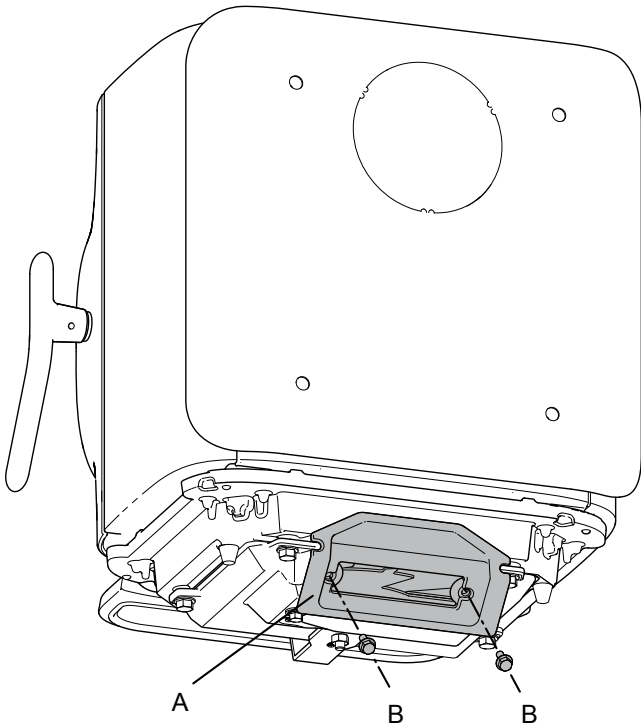


2. Fasten the external air connector (A) to the adapter by inserting the two screws (B) into the track and tightening with the nuts (C).

ENGLISH

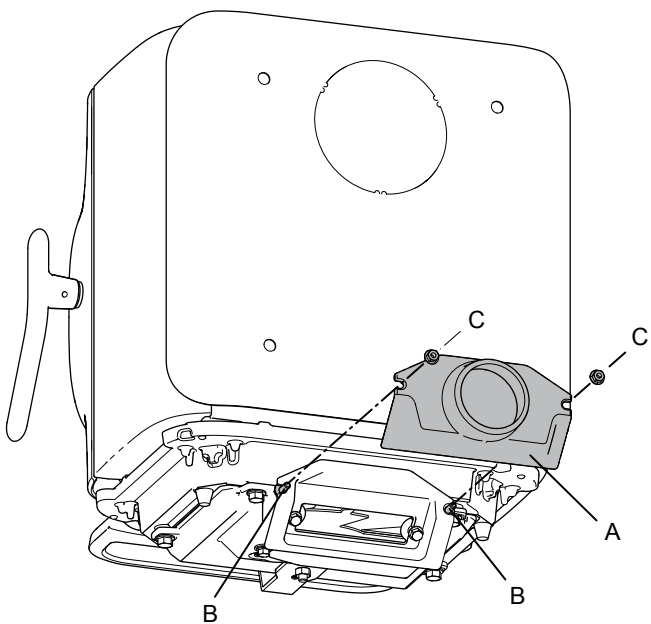
External air supply through a rear outlet

Fig. 15



1. Fasten the adapter (A) to the burn chamber using the two accompanying screws (B).

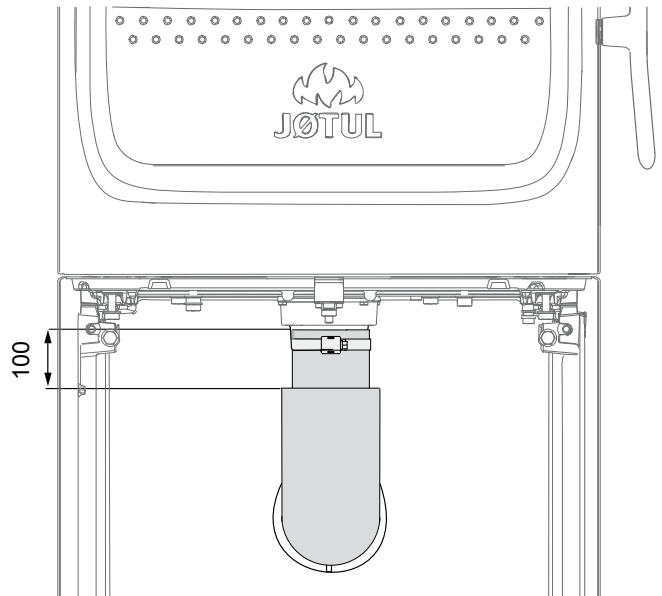
Fig. 16



2. Fasten the external air connector (A) to the adapter by inserting the two screws (B) into the track and tightening with the nuts (C).

Outside air connection through the base Through a rear outlet

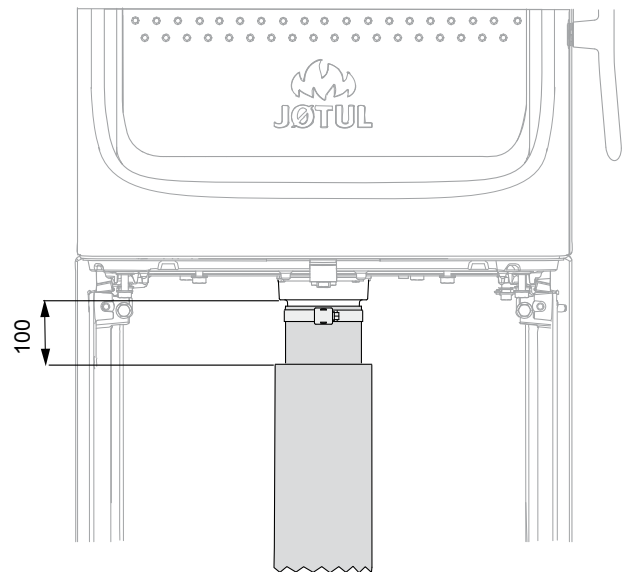
Fig. 17



3. For fastening $\varnothing 80$ fresh air intake tube (optional equipment – item no. 51047509), see the manual (item no. 10047508) accompanying the external air set. See the installation instructions that follow with the external air set. Attach the hose to the external air connector with a hose clip to avoid using joints. The external air hose insulation ends approx. **100 mm** below the burn chamber.

Through the floor

Fig. 18



4. For fastening $\varnothing 80$ fresh air intake tube (optional equipment – item no. 51047509), see the manual (item no. 10047508) accompanying the external air set. See the installation instructions that follow with the external air set. Attach the hose to the external air connector with a hose clip to avoid using joints. The external air hose insulation ends approx. **100 mm** below the burn chamber.

4.4 Chimney and flue pipe

- The fireplace must only be connected to a chimney and flue pipe approved for solid fuel fireplaces with flue gas temperatures as specified in «**2.0 Technical Data**».
- Several solid fuel stoves can be connected to the same chimney system if the chimney cross section is adequate. **NB: Look into the applicable rules and regulations to find out what is permitted.** Even a good chimney can function poorly if it is used incorrectly.
- The cross-section of the chimney must be designed to fit the fireplace. Use «**2.0 Technical Data**» to calculate the correct chimney cross-section.
- The chimney must be connected in accordance with the installation instructions of the chimney supplier.
- Before a hole is made in the chimney, the product should be test-mounted in order to correctly mark the position of the fireplace and the hole in the chimney. See **fig. 1** for minimum dimensions.
- Make sure that the flue pipe rises all the way up to the chimney.
- With a rear outlet, use a flue pipe bend with a sweep hatch to allow sweeping.
- Please note that it is extremely important for connections to have a degree of flexibility. This is to prevent any movement in the installation leading to the formation of cracks.
- For recommended chimney draught, see «**2.0 Technical Data**». For flue pipe dimension see “**2.0 Technical Data**”. **NB: The chimney’s diameter must be at least just as big as the flue pipe.**

NB! The minimum recommended chimney length is 3.5 m from the flue pipe insert. If the draught is too strong, a flue pipe damper can be installed and used to reduce the draught.

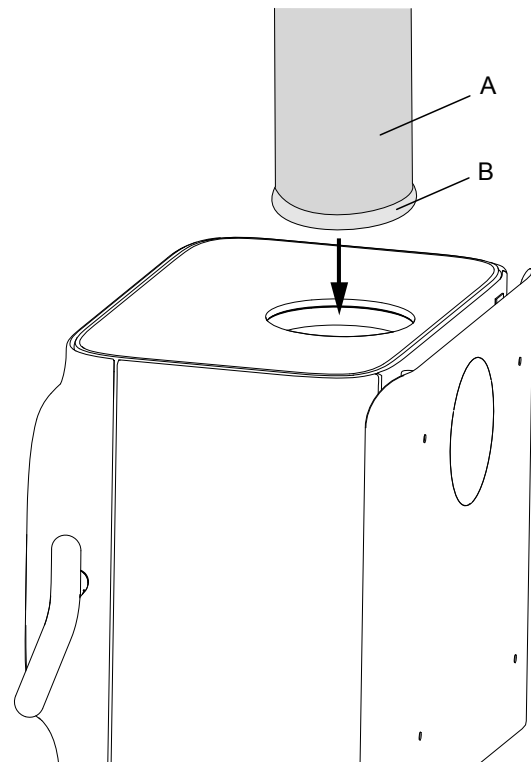
Operation under different weather conditions

The effect of the wind on the chimney may have a significant impact on how the stove reacts under different gust loads. It may be necessary to adjust the air supply to achieve good combustion.

4.5 Fitting a flue pipe with a top outlet

The product is supplied from the factory with the smoke outlet fitted for the top outlet.

Fig. 19



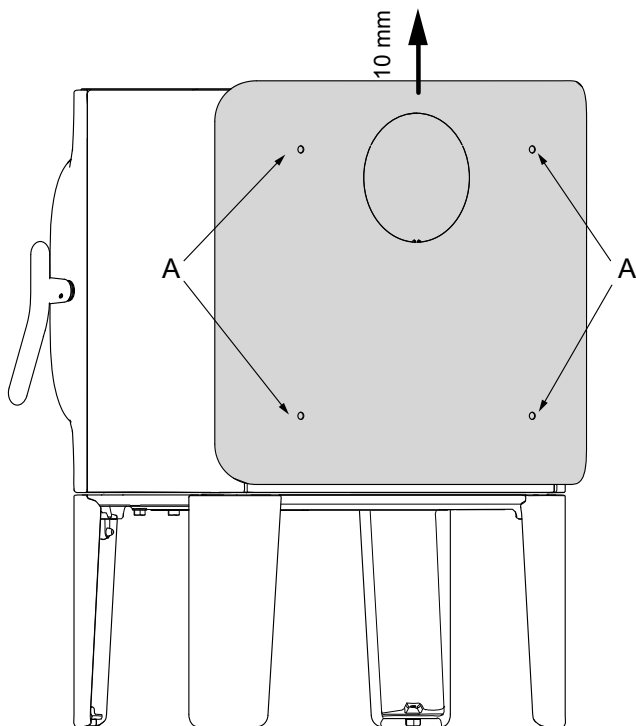
1. Thread the flue pipe (**A**) through the top plate and place it in the top smoke outlet.
2. Seal well with a gasket (**B**).

ENGLISH

4.6 Fitting a flue pipe with a rear outlet

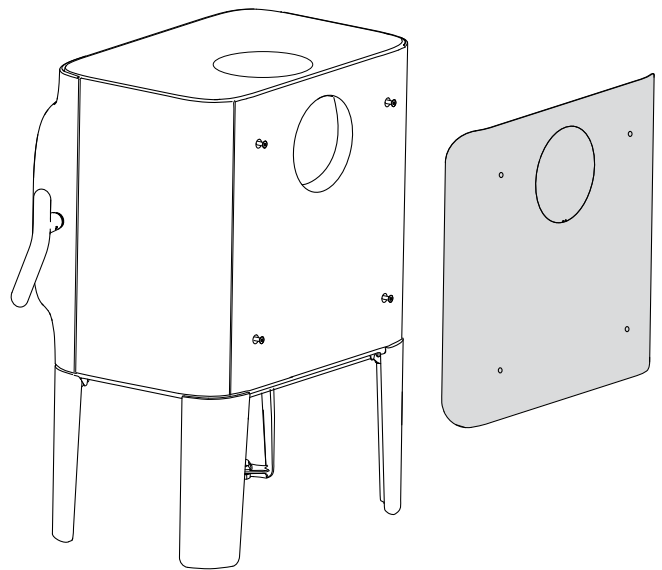
The product is supplied from the factory with the smoke outlet fitted for the top outlet. If you want a rear outlet, proceed as follows:

Fig. 20



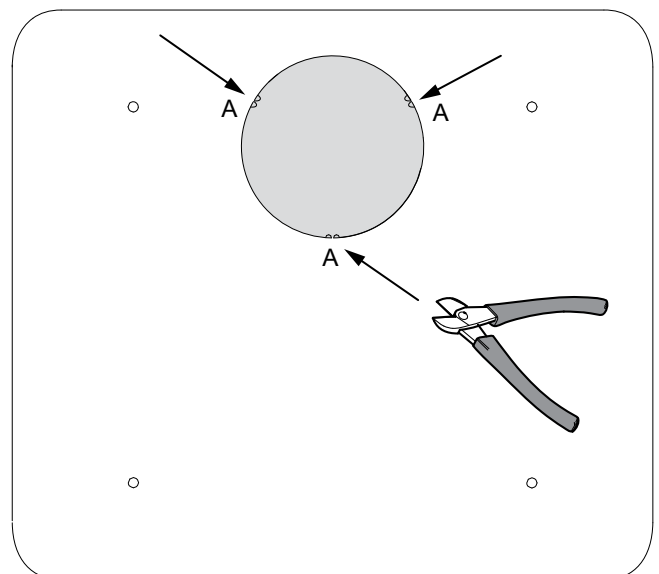
3. Loosen, but do not unscrew the four screws (**A**) completely and lift the convection plate up **approx. 10 mm**.

Fig. 21



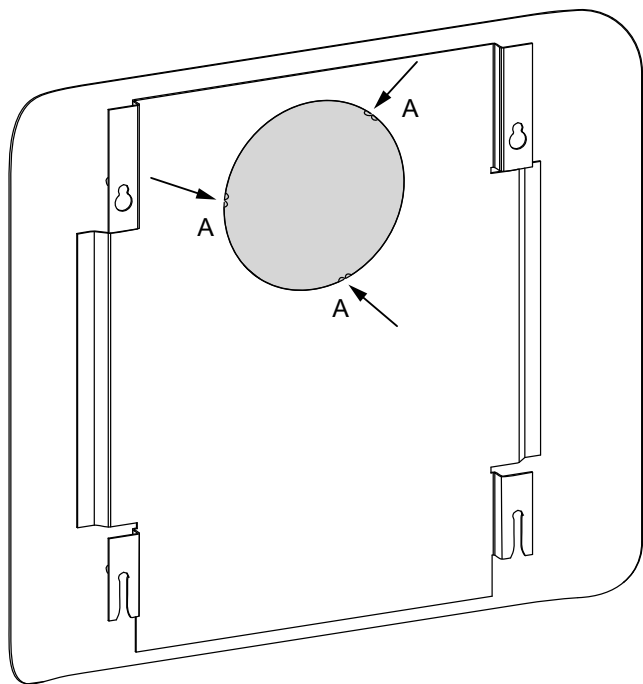
4. Unhook the convection plate.

Fig. 22



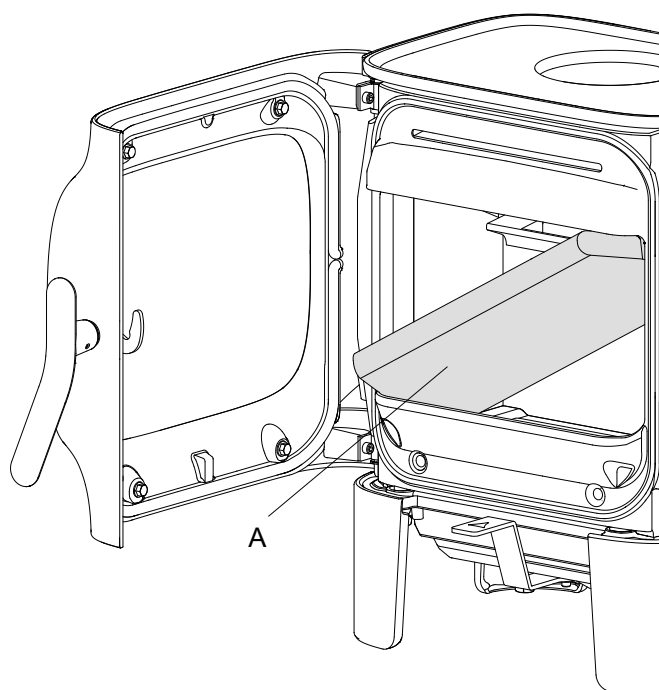
5. Cut the rear outlet in the points (**A**) in the outlet and remove the cover.

Fig. 23



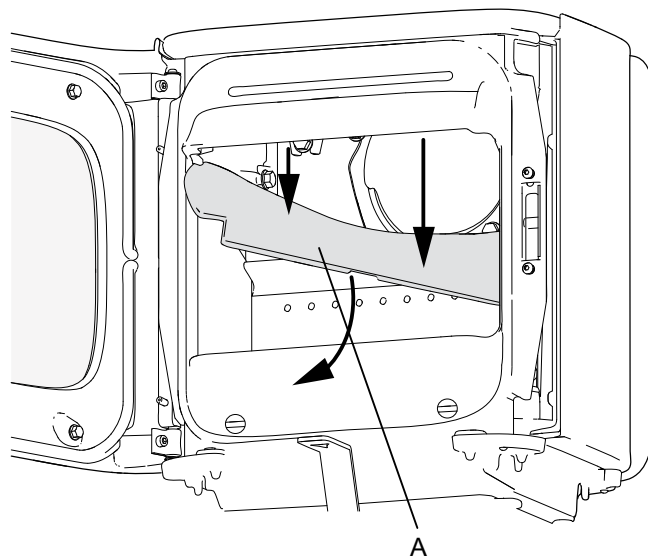
6. Do the same to the inside part of the convection plate.

Fig. 24



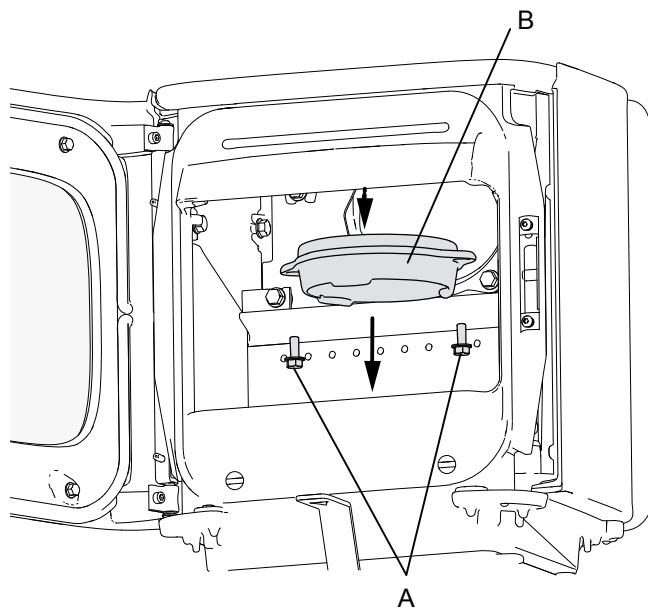
1. Remove the baffle (A) by lifting at the rear edge, then twist it out of the burn chamber.

Fig. 25



1. Place the product in a correct position. See **fig. 1**
2. Remove the exhaust deflector (A).

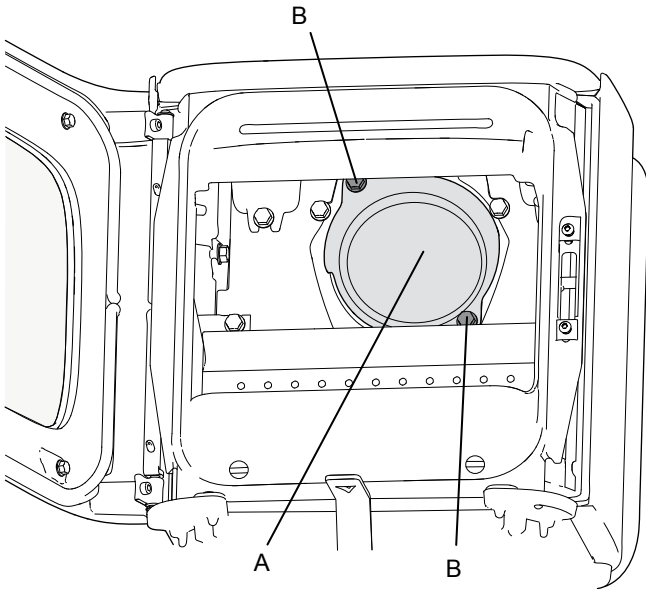
Fig. 26



3. Unscrew the screws (A) and remove the smoke outlet (B) from the top outlet.

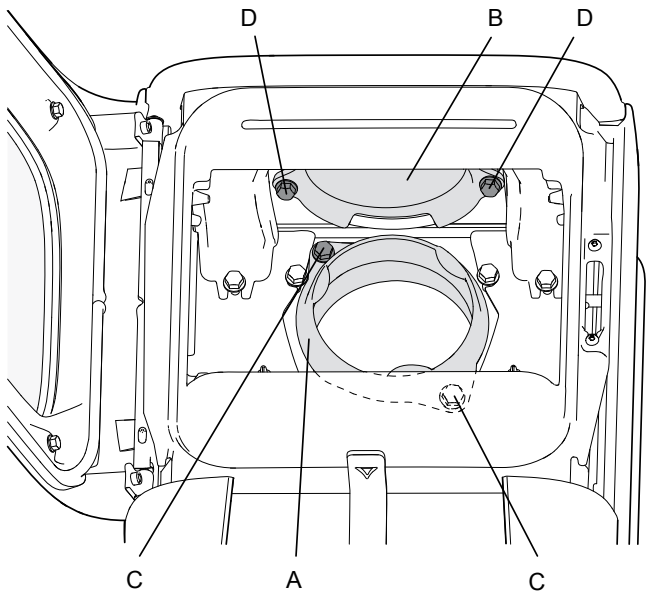
ENGLISH

Fig. 27



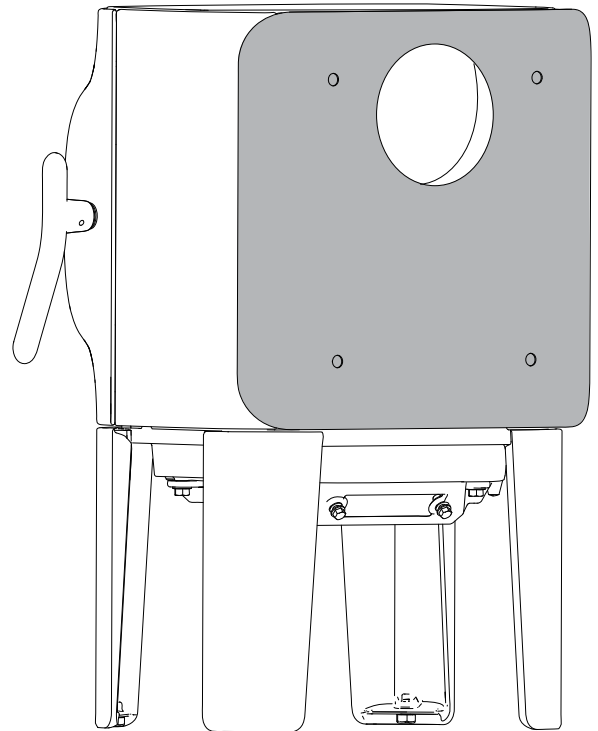
1. Unscrew the screws **(B)** and remove the cover **(A)** of the rear outlet from the inside of the burn chamber.

Fig. 28



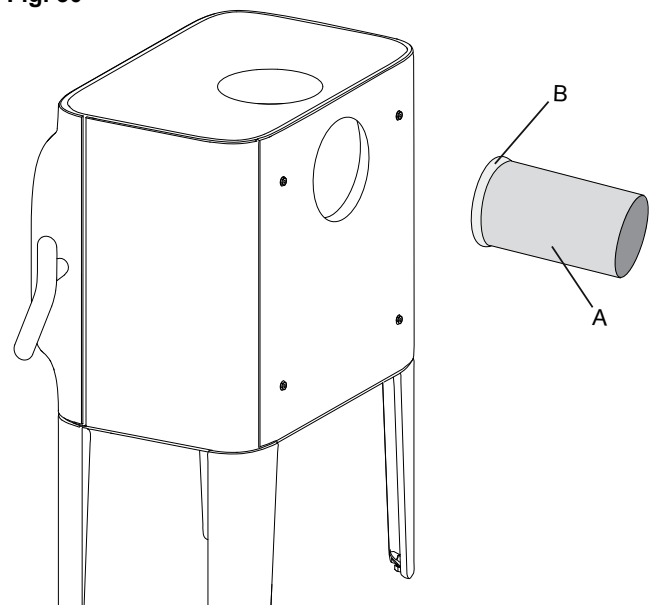
2. Fasten the smoke outlet **(A)** to the rear outlet using the two screws **(C)** from the inside of the burn chamber.
3. Fasten the cover **(B)** to the top outlet with the two screws **(D)** from the inside of the burn chamber.
4. Reinstall the exhaust deflector.
5. Place the baffle.

Fig. 29



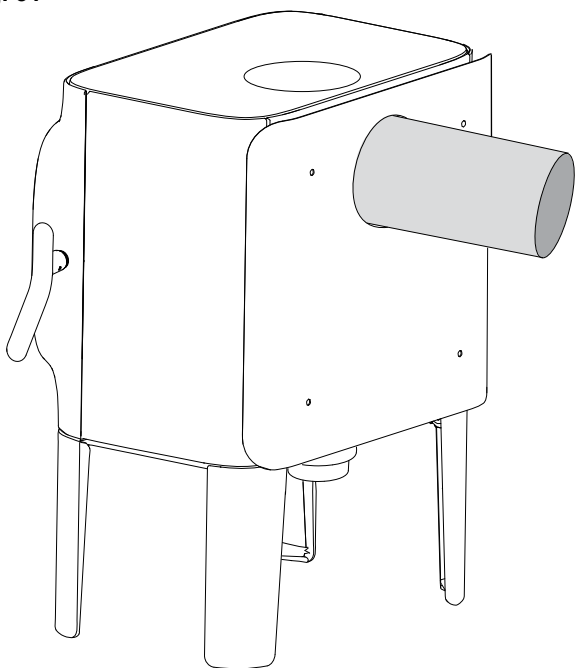
6. Hook the convection plate to the product again and secure using the same four screws.

Fig. 30



7. Place the gasket **(B)** on the edge of the flue pipe **(A)**.

Fig. 31



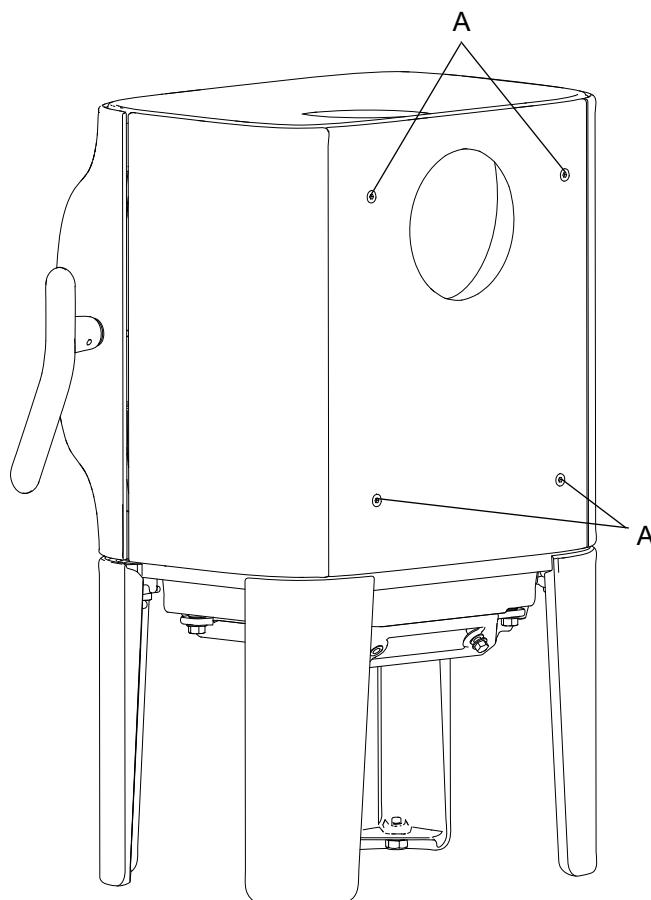
8. Insert the flue pipe into the rear outlet.

NB: It is important for the joints/flue pipes to be sealed completely. Air leaks may prevent them from operating properly.

Product without convection plate

NB: If you will not use a convection plate, the product will have different setup conditions (see fig. 1).

Fig. 32



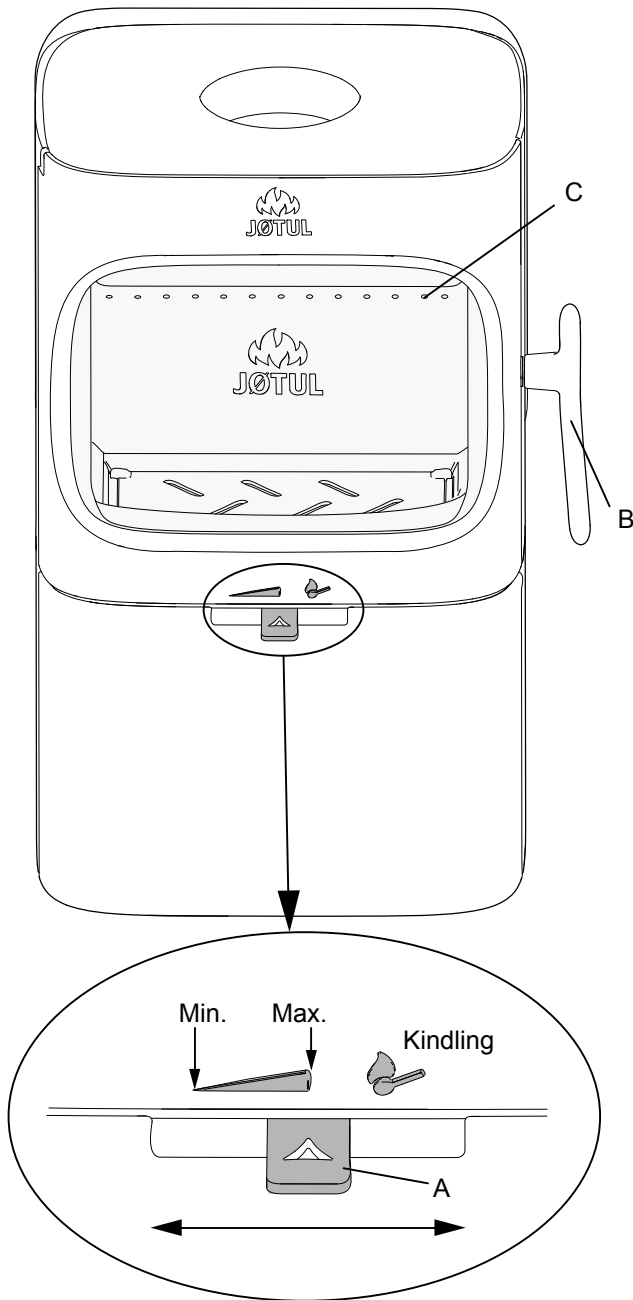
1. If you will not use the convection plate on the burn chamber, screw the four screws (**A**) back in place. Use the hex key placed in the bag of screws.

ENGLISH

4.7 Performance check

Always check the control handles once the product has been assembled. These should move easily and work in a satisfactory manner.

Fig. 33



The Jøtul F 105 is equipped with the following operating options:

Air vent (A)

Pushed to the left:	Minimum
Pushed to the middle:	Maximum
Pushed all the way to the right:	For kindling

Door handle (B)

Open by pulling the handle out.

Stacking height (C) for wood (the holes may not be covered).

5.0 Daily use

Odours when using the fireplace for the first time

When the fireplace is used for the first time, it may emit an irritating gas which may smell slightly. This happens because the paint dries. The gas is not toxic but the room should be thoroughly ventilated. Let the fire burn with a high draught until all traces of the gas have disappeared and no smoke or odours can be detected.

Heating advice

NB: Logs that have been stored outdoors or in a cold room should be brought indoors 24 hours before use to bring them up to room temperature.

There are various ways of heating the stove but it is always important to be careful about what you put in the stove. See the section on "Wood quality".

Important! An inadequate air supply can lead to poor combustion, high emissions and a lower level of efficiency.

Wood quality

By quality wood we mean most well-known types of wood such as birch, spruce and pine.

The logs should be dried so that the moisture content is no more than 20%.

To achieve this, the logs should be cut during the late winter. They should be split and stacked in a way that ensures good ventilation. The wood stacks should be covered to protect the logs from rain. The logs should be brought indoors during early autumn and stacked/stored for use in the coming winter.

Be especially careful never to use the following materials as fuel in your fireplace:

- Household rubbish, plastic bags, etc.
- Painted or impregnated timber (which is extremely toxic).
- Laminated wooden planks.
- Driftwood

These may harm the product and are also pollutants.

NB: Never use petrol, paraffin, methylated spirit or similar liquids to light the fire. You may cause serious injury to yourself and damage to the product.

Kindling (finely split wood):

Length:	Max. 33 cm
Diameter:	2-4 cm
Quantity required each time:	6 - 8 pieces

Wood (split wood):

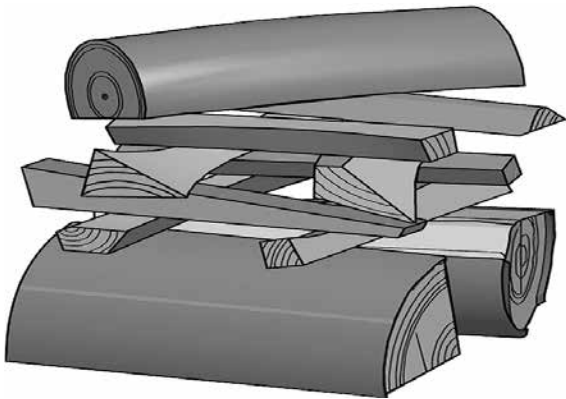
Recommended length:	20 - 33 cm
Diameter:	Approx. 8 cm
Interval for adding wood:	Approx. every 45 - 50 minutes
Fire size:	1,1 kg (nominal output)
Quantity required each time:	2
Max. each time:	2,0 kg

Nominal heat output is achieved when the air vent is open approx. 30% (fig. 33). Max. heat output is achieved when the air vent is open approx. 50%.

Initial lighting

- Open the air vent and ignition vent by pulling the handles (fig. 33) all the way out. (Use a glove or something similar to protect your hand in case the handles are hot.).

Fig. 34



- Place two logs at the bottom of the burn chamber and pile the kindling in layers.
- Finally, place a medium-sized log on the top of the pile.
- Place 2 or 3 briquettes or kindling sticks under the top layer of kindling and light the fire. **NB: The maximum height of the pile of the wood should be just below the horizontal holes. The holes must not be covered.**
- You can then regulate the rate of combustion to give the heat you want by adjusting the air vent (fig. 33).
- Check that the afterburning (secondary combustion) starts. This is best indicated by yellow, flickering flames in front of the holes under the baffle.
- If the air flow is normal you will be able to shut the door and the fire will take care of itself.

Adding firewood

Stoke the stove frequently but only add small amounts of fuel at a time. If the stove is filled too full, the heat created may cause extreme stress in the chimney. Add fuel to the fire in moderation. Avoid smouldering fires as this produces the most pollution. The fire is best when it is burning well and the smoke from the chimney is almost invisible.

5.1 Danger of overheating

The fireplace must never be used in a manner that causes overheating

Overheating occurs when there is too much fuel and/or too much air so that too much heat develops. A sure sign of overheating is when parts of the fireplace glow red. If this happens, reduce the air vent opening immediately.

Seek professional advice if you suspect that the chimney is not drawing properly (too much/too little draught). For further information, see «4.0 Installation» (Chimney and flue pipe).

5.2 Ash removal

- The Jøtul F 105 has an ash pan that makes it easy to remove the ash.
- Only remove ash when the fireplace is cold.
- Scrape the ash through the grate in the inner bottom and down into the ash pan. Use a glove or something similar to protect your hand. Take hold of the handle of the ash pan and lift out the ash. Make sure that the ash pan never gets so full that it prevents the ash from falling through the grate and down into the pan.
- Make sure that the ash pan is pushed all the way in before closing the door.

6.0 Maintenance

6.1 Cleaning the glass

The product is equipped with an air wash for the glass. Air is sucked in through the air vent on the top of the product and down along the inside of the glass.

However, some soot will always stick to the glass, but the quantity will depend on the local draught conditions and adjustment of the air vent. Most of the soot layer will normally be burned off when the air vent is opened all the way and a fire is burning briskly in the fireplace.

Good advice! For normal cleaning, moisten a paper towel with warm water and add some ash from the burn chamber. Rub it over the glass and then clean the glass with clean water. Dry well. If it is necessary to clean the glass more thoroughly we recommend using a glass cleaner (*follow the instructions on the bottle*).

6.2 Cleaning and soot removal

Soot deposits may build up on the internal surfaces of the fireplace during use. Soot is a good insulator and will therefore reduce the fireplace's heat output. If soot deposits accumulate when using the product, they can easily be removed by using a soot remover.

In order to prevent a water and tar layer from forming in the fireplace, you should regularly allow the fire to burn hot in order to remove the layer. An annual internal cleaning is necessary to get the best heating effect from your product. It is a good idea to do this when cleaning the chimney and flue pipes.

6.3 Sweeping flue pipes to the chimney

Flue pipes must be swept through the flue pipe sweeping hatch or through the door opening. The baffle and exhaust deflector must be removed first.

6.4 Inspection of the fireplace

Jøtul recommends that you carefully inspect your fireplace yourself after it has been swept/cleaned. Check all visible surfaces for cracks. Also check that all joints are sealed and that the gaskets are in the correct position. Any gaskets showing signs of wear or deformation must be replaced.

ENGLISH

Thoroughly clean the gasket grooves, apply ceramic glue (available from your local Jøtul dealer) and press the gasket well into place. The joint will dry quickly.

6.5 Exterior maintenance

Painted products may change colour after several years' usage. The surface should be cleaned and brushed free of any loose particles before new paint is applied.

Enamelled products must only be cleaned with a clean, dry cloth. Do not use water and soap. Any stains can be removed with a cleaning fluid (*oven cleaner etc.*).

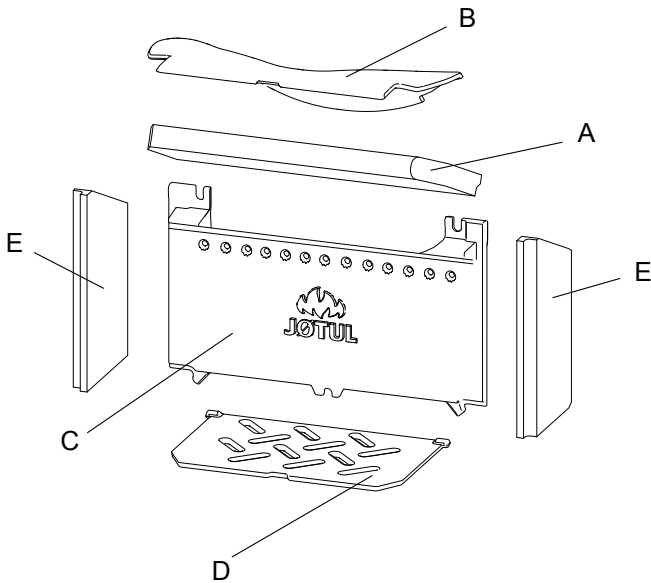
7.0 Servicing

Warning! Any unauthorised changes to the product are illegal! Only original spare parts may be used!

7.1 Service/replacing parts in the burn chamber

NB: Use tools with great care! The vermiculite plates may be damaged if treated roughly.

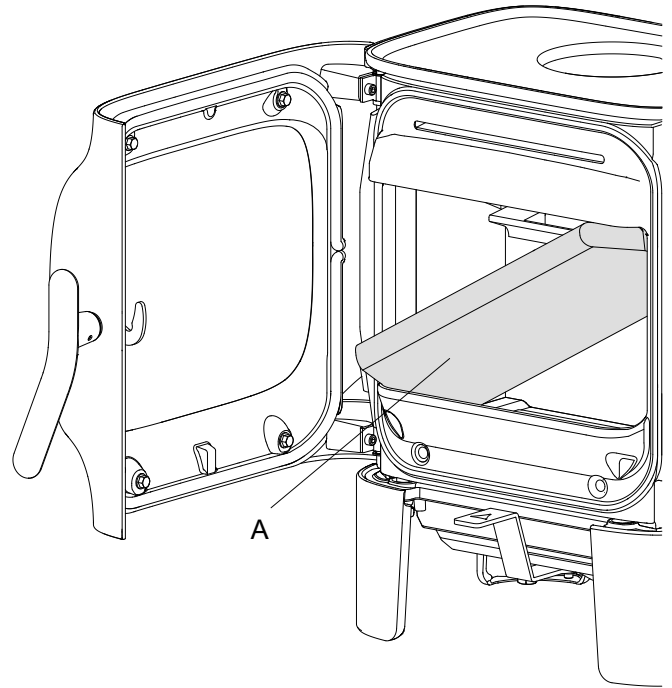
Fig. 35



1. **Baffle:** Lift the front edge of the baffle (A) up and down and twist it out of the burn chamber.
2. **Exhaust deflector:** Lift the front edge of the exhaust deflector (B) up and down and twist it out of the burn chamber.
3. Lift up the **ash grate (D)** in the middle slot in front and then lift the ash pan out of the burn chamber
4. Remove the three screws holding the burn plate. Lift up one of the sides of the burn plate and twist it out of the burn chamber.

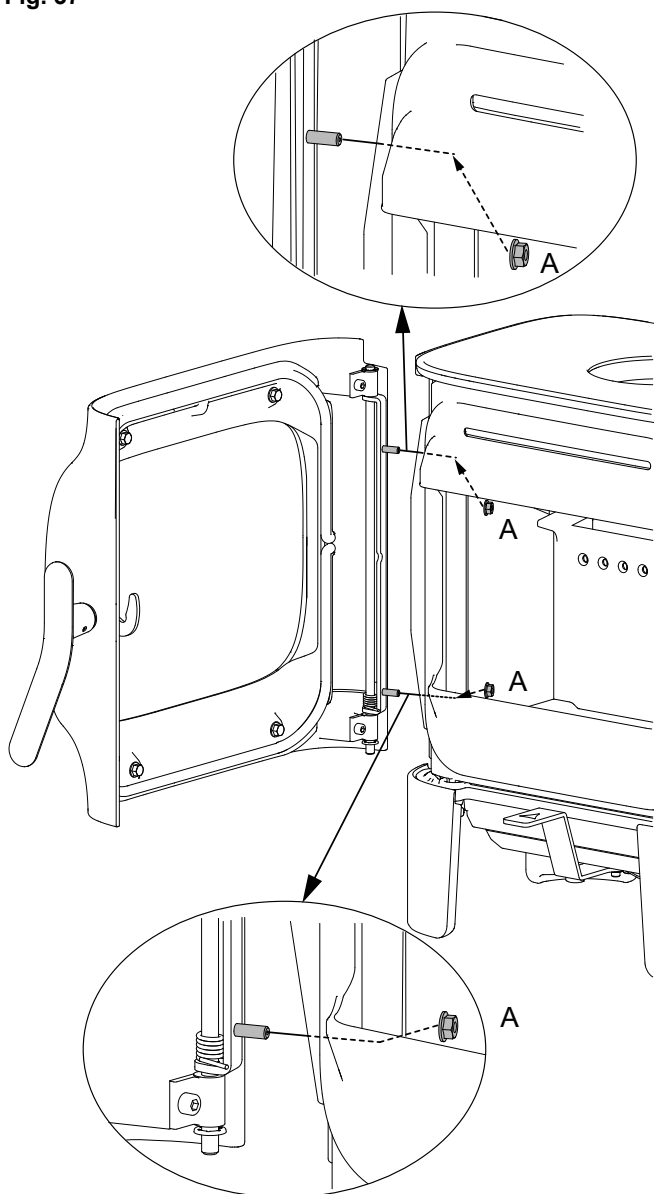
7.2 Replacing glass and gaskets in the door

Fig. 36



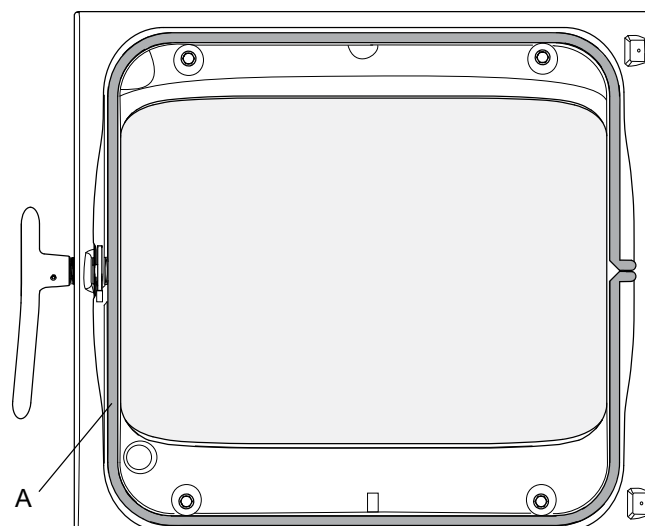
1. Lift the front edge of the baffle (A) up and down and twist it out of the burn chamber.

Fig. 37



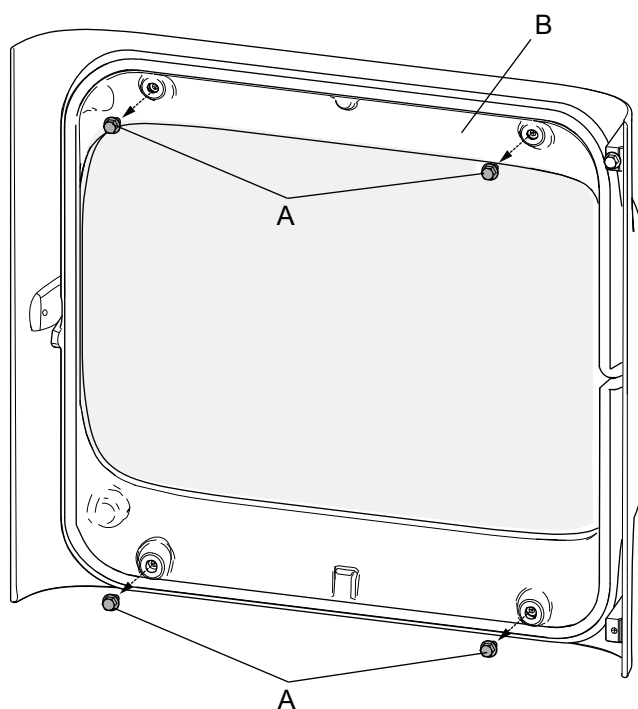
1. Unscrew the nuts **(A)** and unhook the door. Lay it carefully down onto the cardboard box.

Fig. 38



1. Remove the gasket **(A)** placed on the inside of the door, clean the gasket groove and glue on a new gasket.

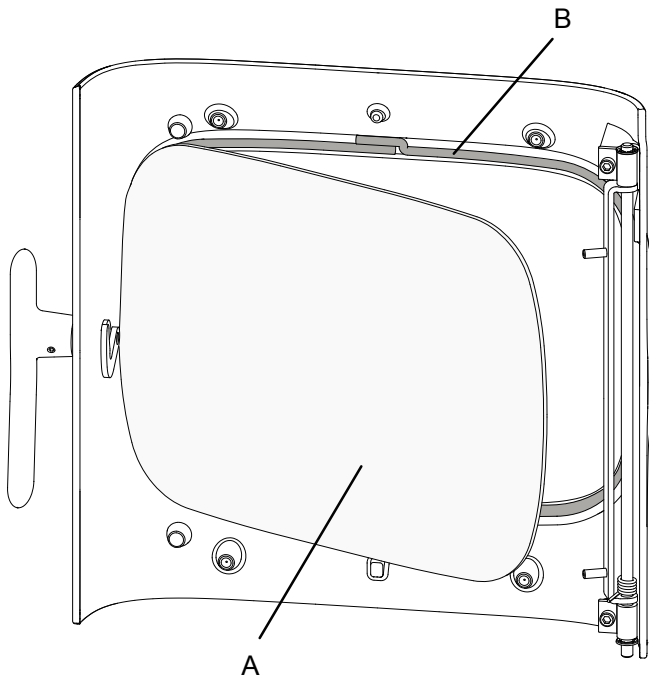
Fig. 39



2. Unscrew the glass holder **(B)** that is attached with 4 screws **(A)**. **NB: The glass in the door is loose. Be careful not to knock the glass when the glass holder is loosened.**

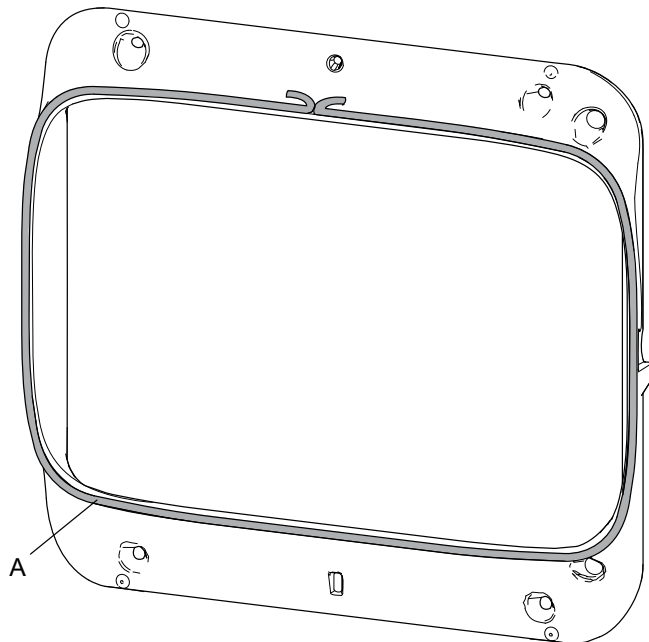
ENGLISH

Fig. 40



3. Remove the glass (**A**) carefully. Remove the gaskets (**B**), and clean the gasket grooves.
4. Glue on new gaskets.

Fig. 41



5. Remove the old gasket (**A**) and clean the grooves. Glue on a new gasket.
6. Install back all parts once all damaged gaskets have been replaced.

8.0 Optional extras

8.1 Kit for outside air connection

Outside air connection, Ø80 mm - Cat. no. 51047509

8.2 Soapstone top

Cat. no. 51049066

8.3 Ash lip for product with legs

BP - Cat. no. 51049065

WHE - Cat. no. 51049516

8.5 Ash pan handle

BP - Art. nr. 51049070

WHE - Art. nr. 12048672

9.0 Recycling

9.1 Recycling packaging

Your fireplace is delivered with the following packaging:

- A wooden pallet that can be cut up and burned in the fireplace.
- Cardboard packaging that should be taken to a local recycling facility.
- Plastic bags that should be taken to a local recycling facility.

9.2 Recycling the fireplace

The fireplace is made of:

- Metal that should be taken to a local recycling facility.
- Glass that should be disposed of as hazardous waste. The glass in the fireplace must not be placed in a regular source segregation container.
- Vermiculite burn plates that can be disposed of in regular waste containers.

10.0 Warranty

1. Our guarantee covers:

Jøtul AS guarantees that the external cast-iron parts are free from defects in materials or manufacturing at the time of purchase. You may extend the guarantee on the external cast-iron parts to 10 years from the date of delivery by registering the product on jotul.com, and print out the extended guarantee card within three months of purchase. We recommend that the guarantee card be kept together with the receipt. Jøtul AS also guarantees that steel plate parts are free from defects in materials or manufacturing at the time of purchase for a period of 5 years from the date of delivery.

The guarantee applies on the condition that the stove has been installed by a qualified installer in accordance with applicable laws and regulations and Jøtul's installation and operating instructions. Repaired products and replacement items are guaranteed within the original guarantee period.

2. The guarantee does not cover:

- 2.1. Damage to consumables such as burn plates, fire grates, flue baffles, gaskets and similar as these deteriorate over time due to normal wear and tear
- 2.2. Damage caused as a result of improper maintenance, overheating, use of unsuitable fuel (e.g. of unsuitable fuel are, but not limited to driftwood, impregnated wood, plank offcuts, chipboard) or too moist / wet wood
- 2.3. Installation of optional extras for the purpose of rectifying local draught conditions, air supply or other circumstances beyond Jøtul's control
- 2.4. Cases involving alterations / modifications to the fireplace without Jøtul's consent or the use of non-original parts
- 2.5. Damage caused during storage at a distributor, transport from a distributor or during installation
- 2.6. Products sold by unauthorized sellers in areas where Jøtul operates a selective distribution system
- 2.7. Associated cost (e.g. but not limited to, transport, manpower, travel) or indirect damages

Pellets stoves, glass, stone, concrete, enamel and paint finish (e.g. but not limited to chipping, cracking, bubbling or discolouration and crazing) are applicable to the national legislation governing the sale of consumer goods. This guarantee is valid for purchases made within the territory of the European Economic Area. All guarantee inquiries must be addressed to your local authorized Jøtul dealer within a reasonable amount of time, which shall not be later than 14 days from the date on which the fault or defect first became apparent. See list of importers and dealers on our web site www.jotul.com

Jøtul reserve the right to decline of any replacement of parts or service in the event that the guarantee is not registered online. This guarantee does not affect any rights under applicable national legislation governing the sale of consumer goods. The national complaint right applies from the purchase date and only in exchange for a receipt / serial number.

FRANCAIS

Sommaire

1.0	Données techniques	26
2.0	Relations avec les autorités	26
3.0	Sécurité	27
4.0	Installation	32
5.0	Utilisation au quotidien	41
6.0	Maintenance	43
7.0	Entretien	43
8.0	Équipements disponibles en option	46
9.0	Recyclage	46
10.0	Garantie	46

1.0 Relations avec les autorités

- L'installation d'un poêle est soumise aux lois et réglementations nationales en vigueur. Toutes les réglementations locales, y compris celles se rapportant aux normes nationales et européennes, doivent être respectées lors de l'installation du produit.
- L'installation ne pourra être mise en service qu'après contrôle par un inspecteur habilité suivant les réglementations du pays.
- Avant d'installer un nouveau poêle, adressez-vous aux autorités locales compétentes suivant les réglementations du pays.

2.0 Données techniques

Matériau :	Fonte
Finition :	Peinture / email
Sortie du conduit de raccordement :	Dessus, arrière
Conduit de raccordement :	Ø 125 mm section transversale
Raccordement prise d'air extérieur :	Ø 80 mm

Poids de l'appareil :

Chambre de combustion	
- avec pieds courts:	94 kg
- avec pieds longs :	97 kg
- avec socle :	107 kg
Dessus en pierre ollaire :	14,5 kg
Options	Cendrier, dessus en pierre ollaire, raccord d'air extérieur Ø 80 mm, Cendrier pour pieds (Jøtul F 105 LL et SL), poignée du cendrier.

Dimensions de l'appareil, distances : **Voir Fig. 1**

Données techniques conformes à la norme EN 13240

Puissance nominale :	4,5 kW
Débit massique des fumées :	4,2 g/s
Tirage de cheminée, EN 13240 :	12 Pa
Tirage recommandé :	14-16 Pa
Rendement :	83 % à 5,2 kW
Émissions de CO (13 % O ₂) :	0,09%
Émissions de CO (13 % O ₂) :	1101 mg/Nm ³
NOx à 13 % O ₂ :	99 mg Nm ³
COV à 13 % O ₂ :	76 mg/Nm ³
Consommation d'air:	3,4 litre / sec ou 12,2 m ³ h
Émissions de particules NS 3059 :	2,7 g / kg
Température de cheminée, EN 13240 :	231 °C
Température de sortie des fumées :	277 °C
Poussières :	<7 mg/Nm ³ à 13 % O ₂

Combustible :	Bois exclusivement
Longueur maximale des bûches :	33 cm
Consommation horaire :	1,51 kg/h
Quantité de bois d'allumage max. :	2,0 kg
Quantité de bois d'allumage nominal :	1,1 kg
Fonctionnement :	Intermittent
Par fonctionnement intermittent, on entend une utilisation normale du poêle dans laquelle on ajoute du bois lorsqu'il ne reste plus que des braises.	

Tous nos produits sont livrés avec une étiquette reprenant le numéro de série et l'année. Reportez ce numéro à l'endroit indiqué dans les instructions d'installation.

N'oubliez pas de le mentionner à chaque fois que vous contactez votre revendeur ou Jøtul.

Product: Jøtul Room heater fired by solid fuel				CE
Standard Minimum distance to adjacent combustible materials: Emission of CO in combustion products: Flue gas temperature Nominal heat output Efficiency Operation range Fuel type Operational type The appliance can be used in a shared flue.				
Country	Classification	Certification standard	Approved by	
Norway	Klasse II			
Sweden	vic	EP	SP Sveriges Provnings- och forskningsinstitut AB	
EUR	Intermittent	EN	EP Swedish National Testing and Research Institute	
Follow user's instructions. Use only recommended fuels. Montage- und Bedienungsanleitung beachten. Verwenden Sie nur empfohlenen Brennstoffen. Respectez les consignes d'utilisation. Utilisez uniquement les combustibles recommandés.				
Serial no: Yxxxxx, Year: 200x				
Manufacturer: Jøtul AS POB 1441 N-1502 Fredrikstad Norway				22546

Serial no.

3.0 Sécurité

Remarque : Afin d'assurer un niveau de rendement et de sécurité optimal, l'installation d'un poêle Jøtul doit être confiée à un installateur qualifié (voir www.jotul.com pour la liste complète de nos revendeurs).

Toute modification de l'appareil par le distributeur, l'installateur ou l'utilisateur final, risque de compromettre le bon fonctionnement de l'appareil et de ses éléments de sécurité. Ceci s'applique également à l'installation d'accessoires ou d'équipements en option qui ne sont pas fournis par Jøtul. Ce risque peut par ailleurs survenir dans le cas où des pièces ou éléments essentiels pour le bon fonctionnement et la sécurité du poêle, ont été désassemblés ou retirés.

Dans tous ces cas, le fabricant ne pourra être tenu responsable pour le produit et le droit de recours à la garantie sera rendu nul et sans effet.

Remarque : Certaines parties du poêle, notamment les faces extérieures, deviennent chaudes au cours de l'utilisation. Il convient de faire preuve de prudence !

3.1 Mesures de prévention anti-incendie

Toute utilisation du poêle comporte un certain degré de risques. C'est pourquoi, il est indispensable de toujours respecter les consignes de sécurité suivantes :

- Les distances minimales à respecter en utilisant le poêle ressortent de la figure 1.
- Assurez-vous que les meubles et autres matériaux inflammables ne sont pas trop rapprochés du poêle. Pas de matériaux inflammables dans un rayon de 900 mm du poêle.
- Laissez le feu s'éteindre de lui-même. Ne tentez jamais d'éteindre le feu avec de l'eau.
- Le poêle devient très chaud lorsqu'il est allumé et peut provoquer des brûlures à la personne qui le touche.
- Attendez que le poêle soit froid pour retirer les cendres. Les cendres pouvant encore contenir des braises, il convient de les recueillir dans un réceptacle ininflammable.
- Il convient d'épandre les cendres à l'extérieur ou de les vider dans un endroit ne présentant aucun risque d'incendie.

En cas de feu de cheminée:

- Fermer l'ensemble des trappes et des entrées d'air.
- Maintenir la porte de la chambre de combustion fermée.
- Vérifier toute présence de fumée dans le grenier et dans la cave.
- Contacter le service de sécurité incendie.
- Suite à un feu de cheminée, le poêle et la cheminée doivent être contrôlés par un spécialiste avant toute nouvelle utilisation afin de s'assurer que l'installation est opérationnelle.

Cheminée en acier

Si vous utilisez une cheminée en acier au-dessus du poêle, montez un tubage non isolé qui sera encastré d'environ 10 mm dans la grille supérieure. Assurez-vous que le joint est correctement en place entre le conduit de fumée et la sortie d'évacuation de fumée. Positionnez ensuite la cheminée métallique conformément aux instructions d'installation du fournisseur.

3.2 Le sol

Sol

Assurez-vous que le sol convient pour un poêle. Se reporter à la section « 2.0 Données techniques » pour la spécification du poids.

Il est recommandé d'enlever les revêtements situés sous le poêle, si ceux-ci ne sont pas solidaires du sol (parquets flottants).

Jøtul F 105 SL (pieds courts)

Le poêle Jøtul F 105 SL avec pieds courts peut uniquement être installé sur des sols où aussi bien la surface que la construction en soi sont en matériaux non combustibles. Cela s'applique également si le produit repose sur une plaque de sol. La surface non combustible doit présenter un prolongement d'au moins 500 mm devant le poêle.

Remarque : Nous déconseillons d'installer le poêle sur un plancher chauffant (à eau ou électrique).

Exigences relatives à la protection des sols en bois

La fonction d'une plaque de sol est de protéger le sol et les matériaux inflammables contre d'éventuelles braises.

Le F 105 sur pieds doit être installé sur une plaque de sol dessous et devant suivant la réglementation nationale.

Note ! Rien ne doit être rangé sous le F 105, risque d'incendie.

Les éventuels revêtements de sol combustibles, tels que le linoléum, la moquette, etc., doivent être retirés de la surface couverte par la plaque de sol.

Exigences relatives à la protection d'un revêtement de sol combustible devant le poêle

La plaque frontale doit être conforme aux lois et réglementations nationales en vigueur.

Veuillez contacter les autorités locales compétentes pour connaître les restrictions d'usage et les exigences liées à l'installation.

3.3 Les murs

Pour la distance aux murs et aux cloisons inflammables, reportez-vous à la figure 1 b.

Distance minimale par rapport au mur en matériau combustible protégé par un pare-feu, Fig 1 c.

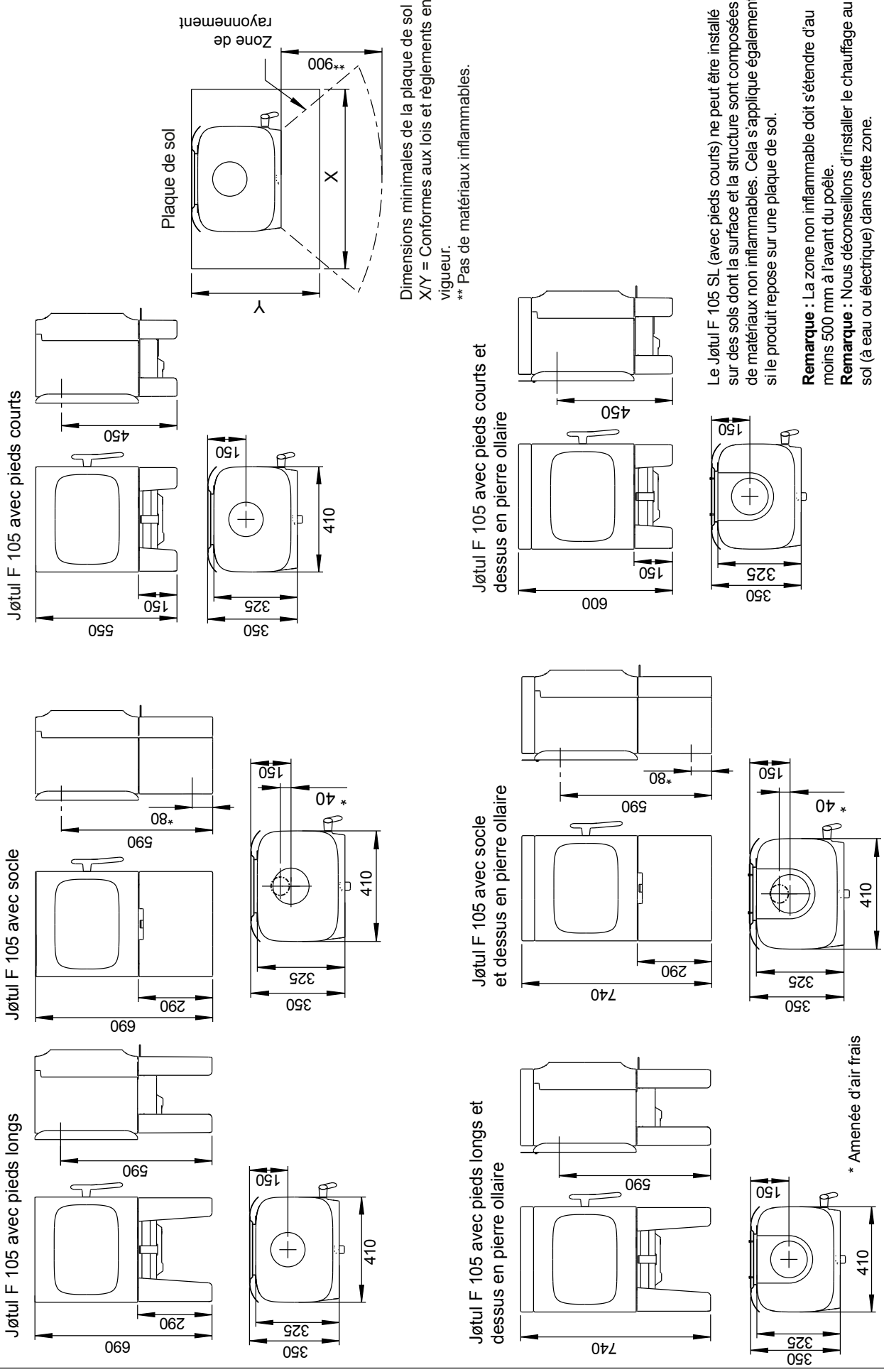
Le poêle peut être utilisé avec un conduit de fumée non isolé, à condition que les distances entre le poêle et les murs/cloisons inflammables soient conformes à la figure 1b.

Remarque : Placez le produit de telle manière qu'il soit possible de nettoyer le poêle, le tuyau de raccordement et le passage de la cheminée.

Remarque : Assurez-vous que les meubles et autres articles ménagers ne soient pas trop près et risquent d'être séchés par le poêle.

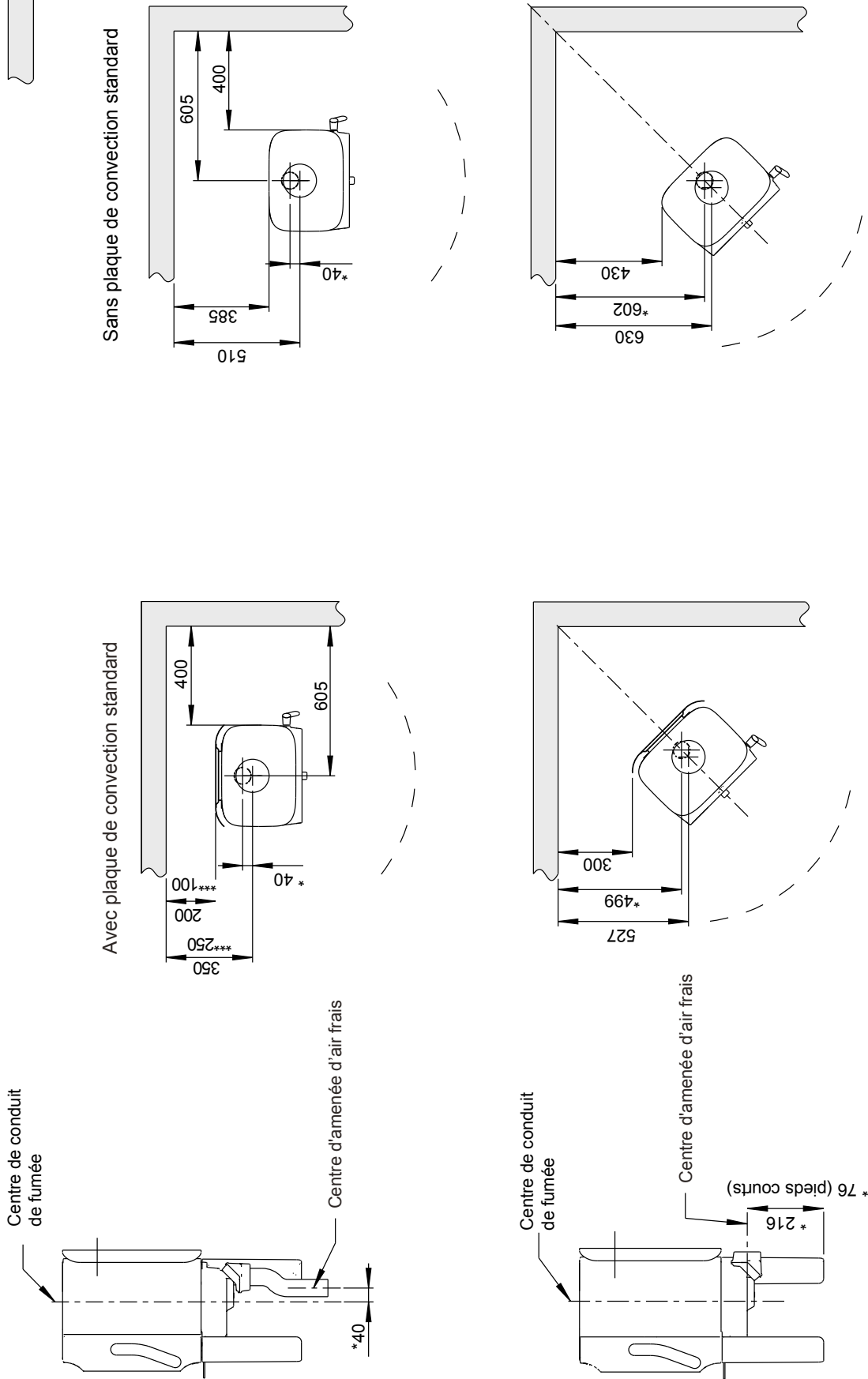
Jøtul F 105

Fig. 1 a



Distance minimale par rapport à un mur inflammable

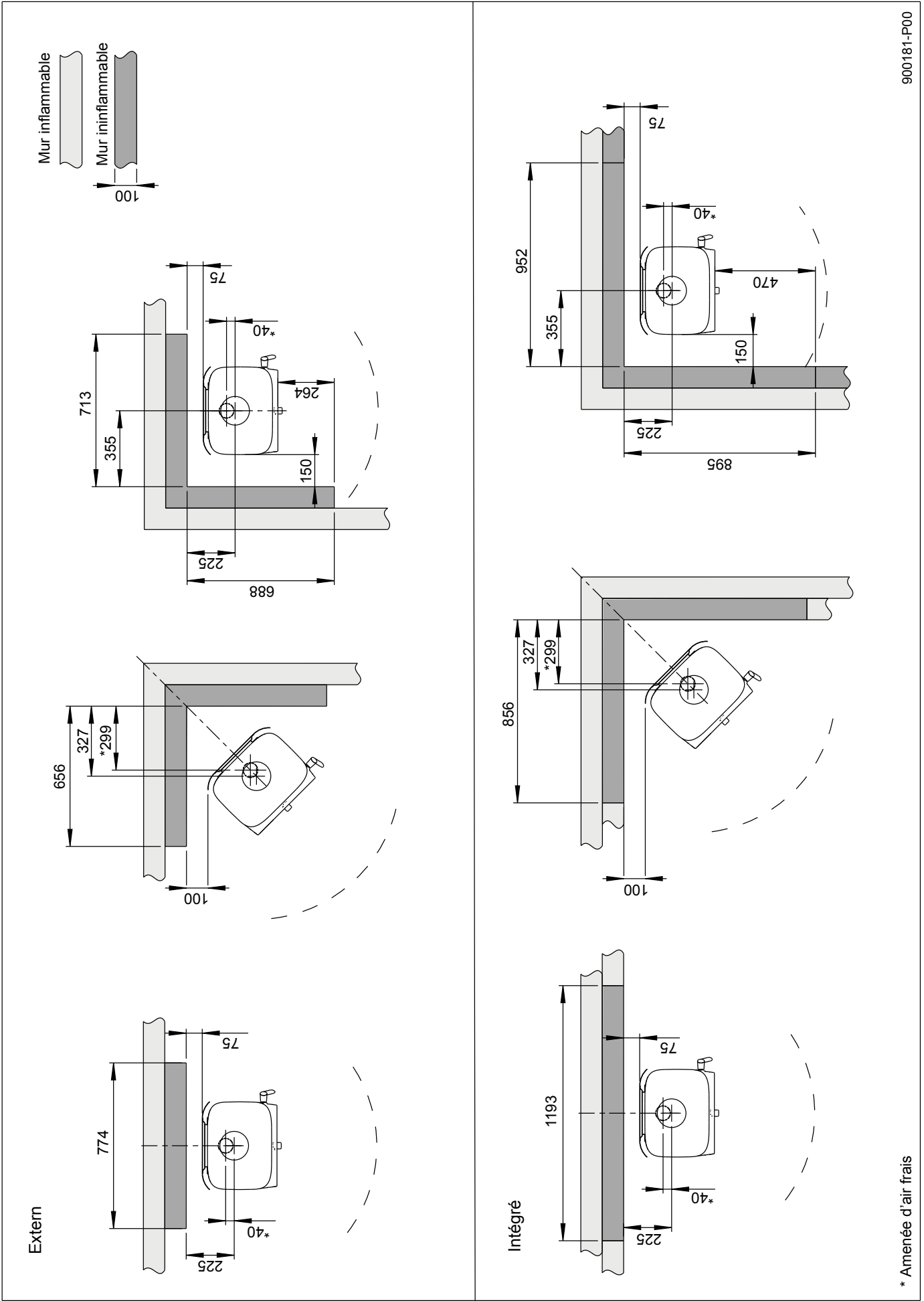
Mur inflammable



* Aménée d'air frais

*** Distance par rapport à un mur inflammable avec conduit semi-isolé / tuyau avec bouclier thermique (Isolation minimum 30 mm).

Fig. 1 c Distance minimale par rapport au mur en matériau combustible protégé par un pare-feu



* Aménée d'air frais

900181-P00

Amenée d'air frais

Dans une maison bien isolée, l'air utilisé pour la combustion doit être renouvelé. Ceci est particulièrement important dans une maison avec ventilation mécanique. Plusieurs méthodes sont possibles. Le plus important est de faire arriver l'air dans la pièce où le poêle est installé. Le clapet de mur extérieur doit être placé le plus près possible du poêle et doit pouvoir se fermer lorsque le poêle n'est pas utilisé.

Il convient de se conformer à la réglementation locale et nationale du bâtiment concernant la prise d'air extérieur.

Système de combustion fermé

Il convient d'utiliser le système de combustion fermé du poêle dans les habitations de construction récente, étanches à l'air. L'air extérieur de combustion est raccordé par l'intermédiaire d'un tuyau d'aération via le mur ou le sol.

Arrivée d'air

Le volume d'air de combustion des produits Jøtul est d'environ 20 à 40 m³/h. L'arrivée d'air frais peut être raccordée directement au poêle Jøtul F 105 par :

- la base
- par un tuyau flexible depuis l'extérieur ou la cheminée (seulement si celle-ci dispose d'une conduite propre pour l'air frais) et vers le raccord d'air frais de l'appareil.

Fig. 2A, par un mur

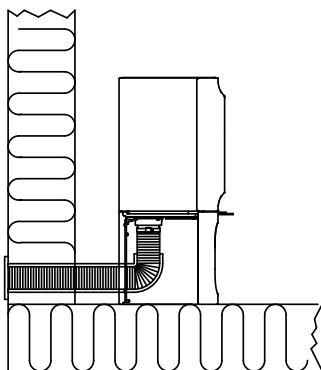


Fig. 2B, par le sol et la plaque de sol

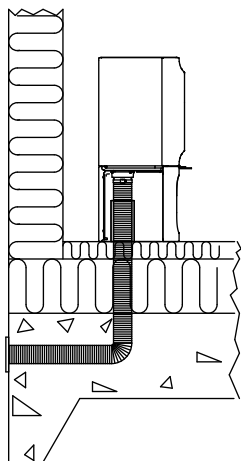


Fig. 2C, par le sol et la cave

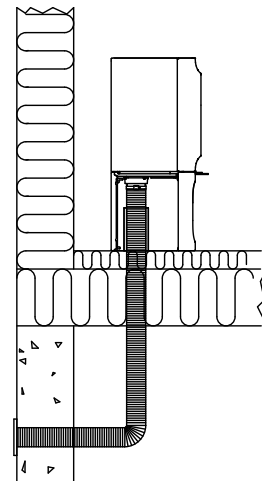
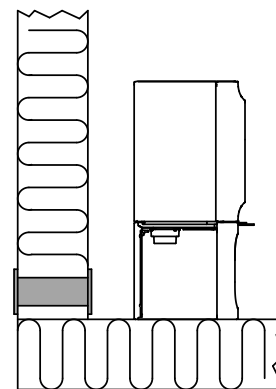


Fig. 2D, indirectement par un mur



FRANCAIS

4.0 Installation

Remarque : Assurez-vous que l'appareil est en bon état avant de procéder à l'installation.

Remarque : L'appareil est lourd ! Prévoyez de l'aide pour le montage et la mise en place.

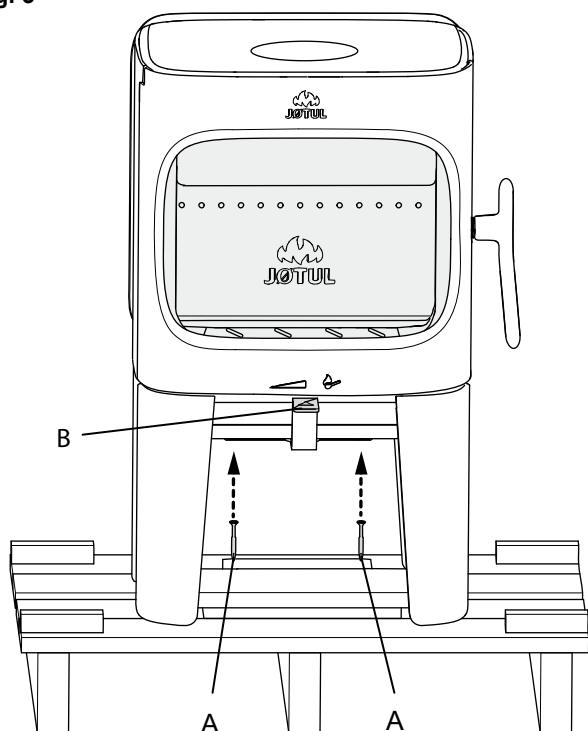
Remarque : Ne rien placer sur le couvercle du poêle, car cela pourrait causer des dommages permanents à la peinture/l'émail.

Faites en sorte que l'appareil ne puisse pas se renverser.

Remarque : Lisez attentivement le guide d'installation et d'utilisation avant d'installer le poêle !

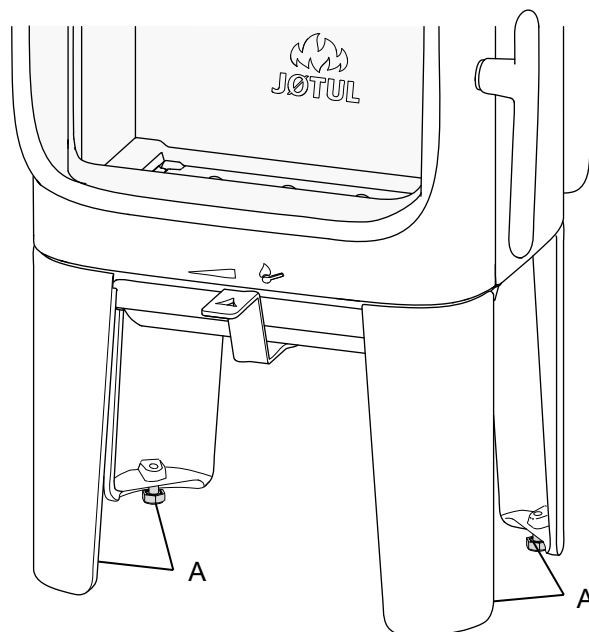
4.1 Avant l'installation - Jøtul F 105 avec pieds

Fig. 3



1. Retirez les deux vis de transport (**A**) qui maintiennent le poêle sur la palette en bois.
2. Laissez le poêle en place sur la palette de transport.
3. Sortez les gants, le sac de vis, le connecteur d'air extérieur et l'adaptateur se trouvant dans le poêle.
4. Vérifiez que le registre de commande (**B**) se déplace facilement.

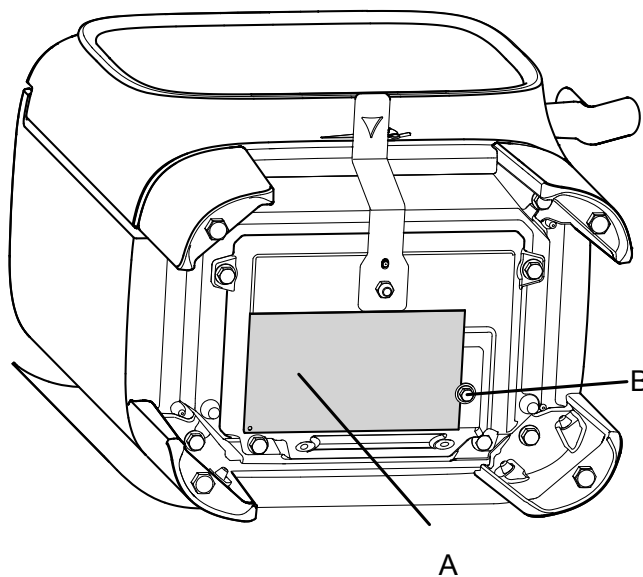
Fig. 4



5. Retirer le poêle de la palette.
6. Mettre en place le poêle et régler sa position horizontale en serrant/desserrant les 4 vis de réglage en hauteur, à l'aide d'une clé plate. Effectuer un marquage sur le mur s'il est prévu d'avoir une sortie arrière pour le conduit de fumée et une amenée d'air frais extérieur. **Remarque :** Prendre en compte la hauteur de la plaque de sol.

Plaque d'homologation

Fig. 5



1. Retirer la plaque d'homologation (**A**) du cendrier et la fixer à l'aide de l'écrou (**B**), comme indiqué. L'écrou doit être uniquement serré avec les doigts. **Remarque :** Ne pas couper le fil utilisé pour la fixation de la plaque.

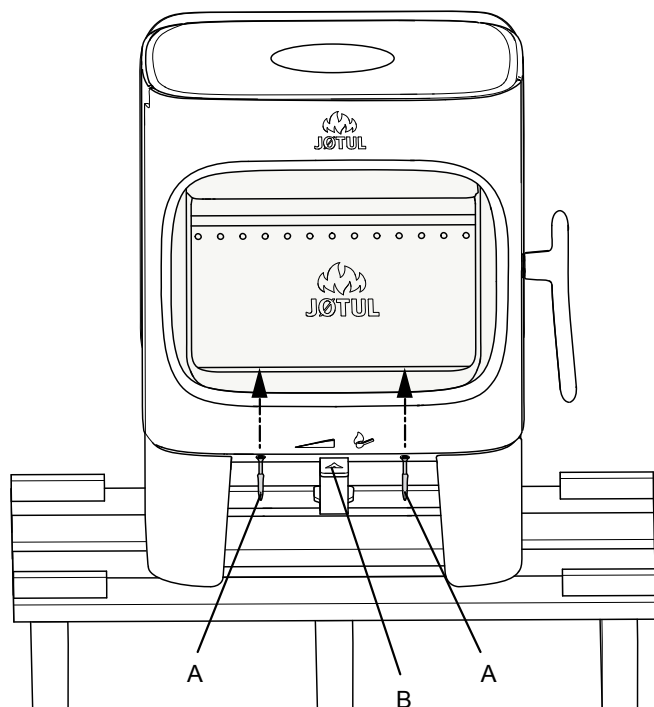
4.2 Avant l'installation - Jøtul F 105 avec pieds courts

Le Jøtul F 105 SL (avec pieds courts) ne peut être installé que sur des sols dont la surface et la structure sont composées de matériaux non inflammables. Cela s'applique également si le produit repose sur une plaque de sol.

Remarque : La zone non inflammable doit s'étendre d'au moins 500 mm à l'avant du poêle.

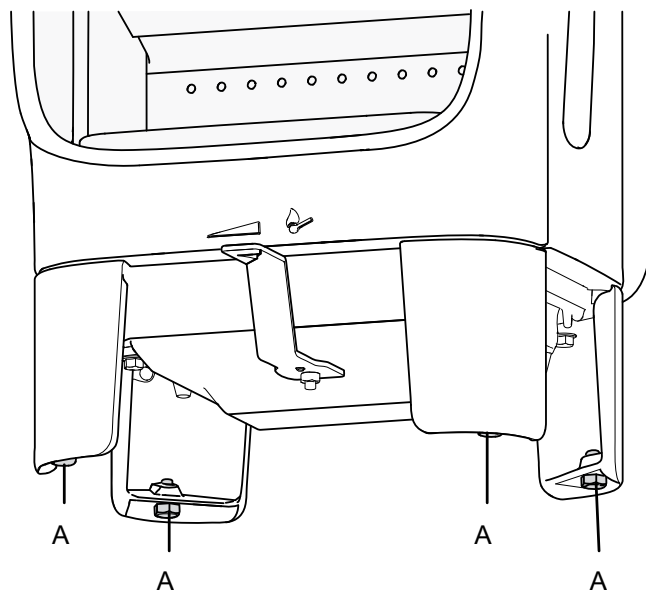
Remarque : Nous déconseillons d'installer le chauffage au sol (à eau ou électrique) dans cette zone.

Fig. 6



1. Retirer les deux vis de transport (**A**) qui maintiennent le poêle sur la palette en bois.
2. Laisser le poêle en place sur la palette de transport.
3. Sortez les gants, le sac de vis, le connecteur d'air extérieur et l'adaptateur rangés dans le poêle.
4. Vérifiez que le registre de commande (**B**) se déplace facilement.

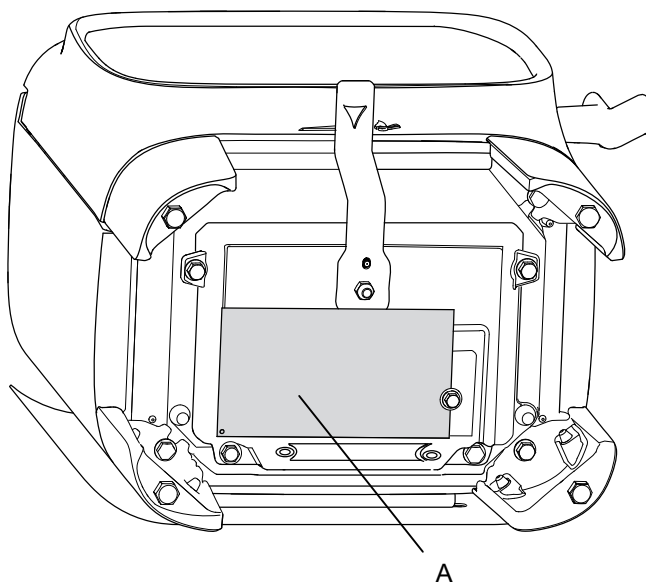
Fig. 7



5. Retirer le poêle de la palette.
6. Mettre en place le poêle et régler sa position horizontale en serrant/desserrant les 4 vis de réglage en hauteur, à l'aide d'une clé plate. Effectuer un marquage sur le mur s'il est prévu d'avoir une sortie arrière pour le conduit de fumée et une amenée d'air frais extérieur. **Remarque :** Prendre en compte la hauteur de la plaque de sol.

Plaque d'homologation

Fig. 8

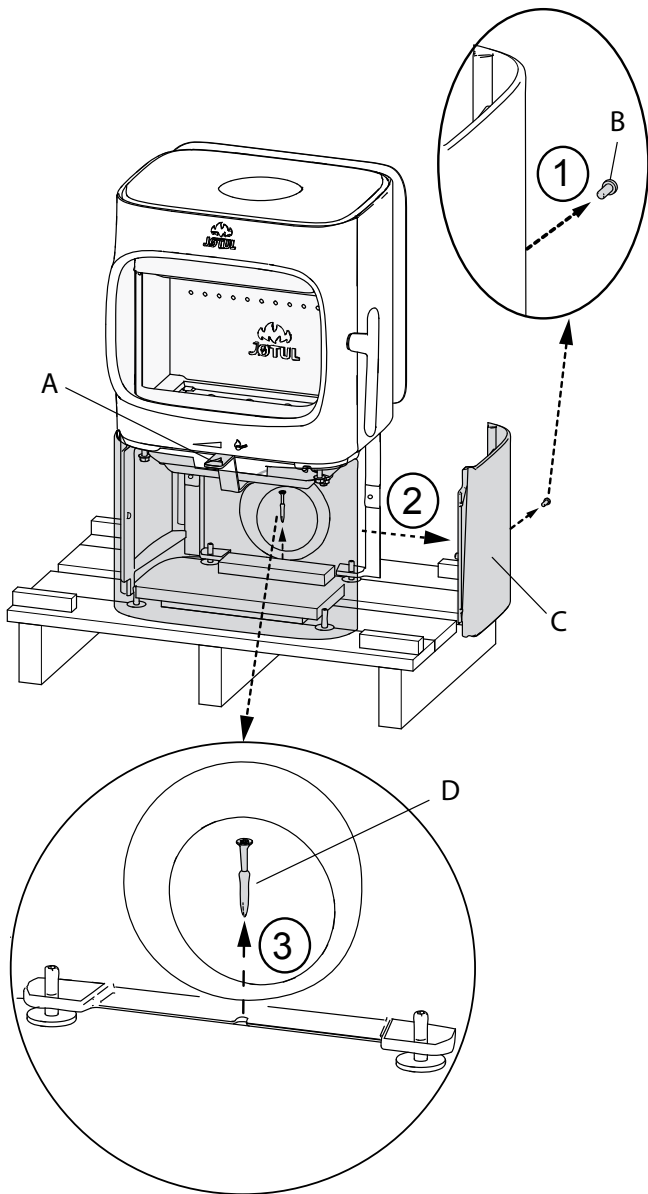


1. Retirer la plaque d'homologation (**A**) du cendrier et la fixer à l'aide de l'écrou (**B**), comme indiqué. L'écrou doit être uniquement serré avec les doigts. **Remarque :** Ne pas couper le fil utilisé pour la fixation de la plaque.

FRANCAIS

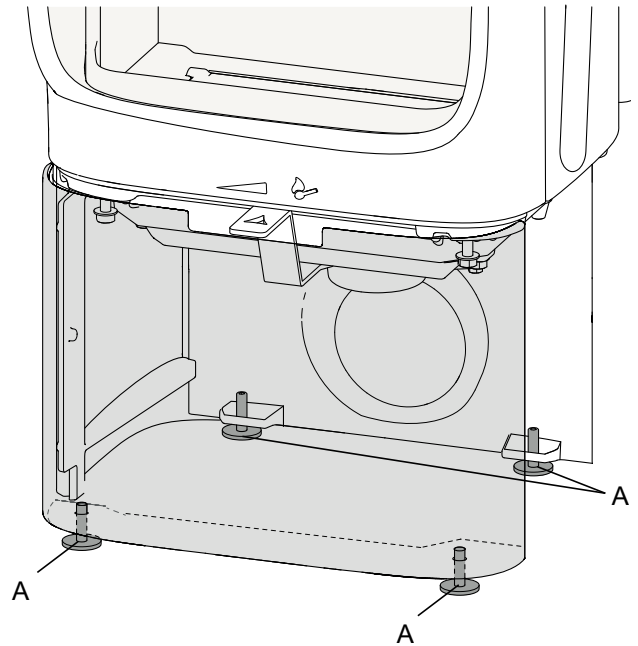
4.3 Préparatifs pour Jøtul F 105 avec socle

Fig. 9



1. Sortez les gants, le sac de vis, le connecteur d'air extérieur et l'adaptateur rangés dans le poêle.
2. 1. Desserrez la vis placée au milieu de la face arrière de la plaque latérale.
2. Retirez la plaque latérale (C).
3. Retirez la vis de transport (D) qui maintient le poêle sur la palette en bois.
3. Vérifiez que le registre de commande (A) se déplace facilement.
4. Dégagez le poêle de la palette et le mettre en place (voir fig. 1).

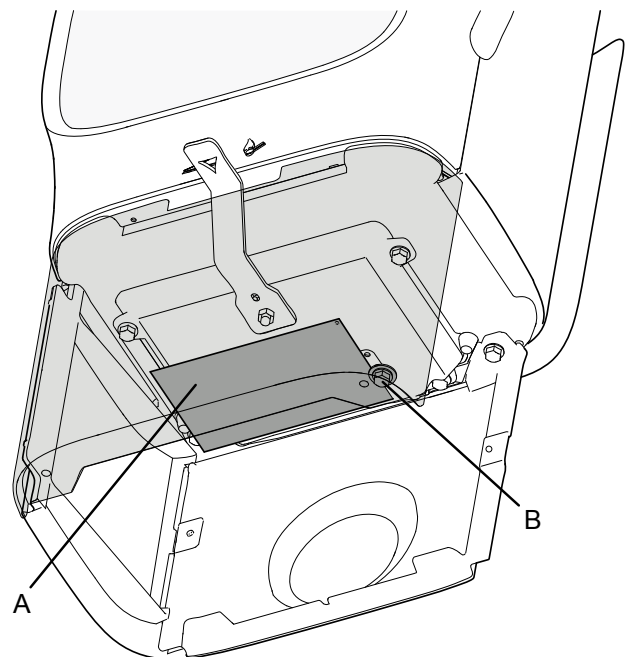
Fig. 10



5. Retirer le poêle de la palette.
6. Mettre en place le poêle et ajuster sa position horizontale avec les 4 vis de réglage en hauteur. Utilisez la clé six pans qui se trouve dans le sachet de vis. Effectuer un marquage sur le mur s'il est prévu d'avoir une sortie arrière pour le conduit de fumée et une amenée d'air frais extérieur.
Remarque : Prendre en compte la hauteur de la plaque de sol.

Plaque d'homologation

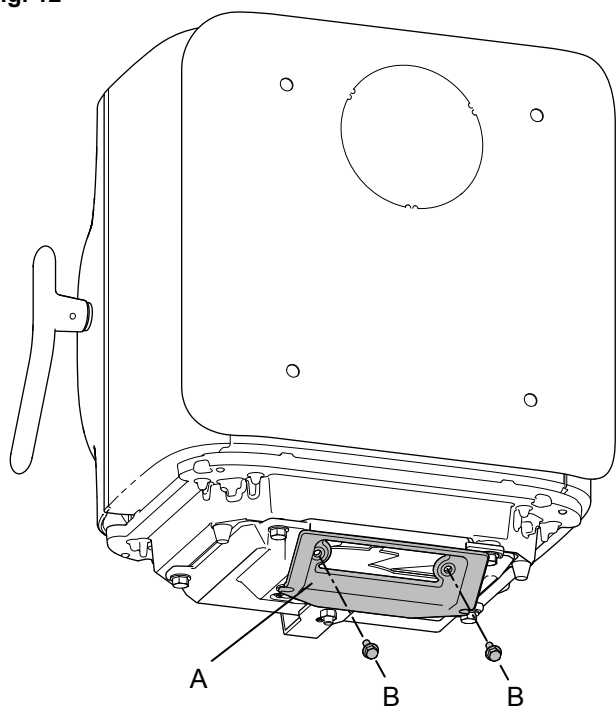
Fig. 11



1. Retirer la plaque d'homologation (A) du cendrier et la fixer à l'aide de l'écrou (B), comme indiqué. L'écrou doit être uniquement serré avec les doigts. **Remarque : Ne pas couper le fil utilisé pour la fixation de la plaque.**

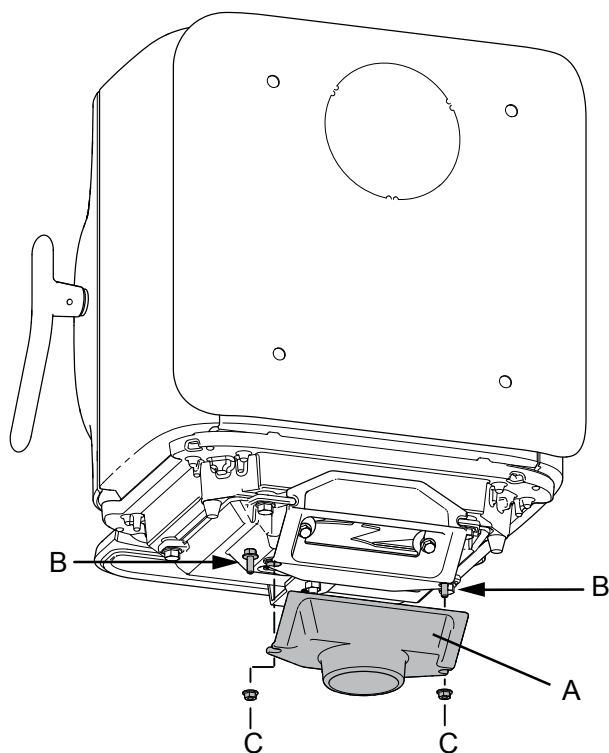
Amenée d'air frais à travers le sol

Fig. 12



1. Fixez l'adaptateur (A) sur le fond du poêle au moyen des vis fournies (B).

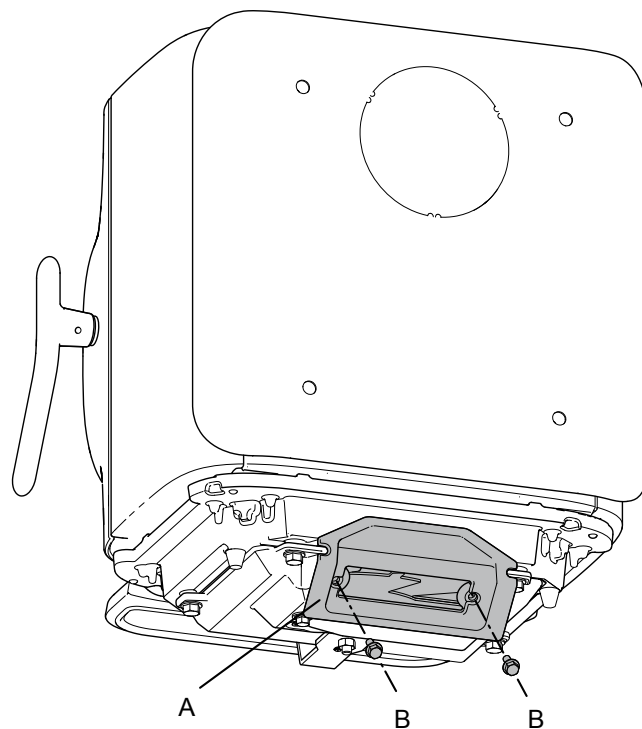
Fig. 13



2. Fixez le raccord d'air extérieur (A) à l'adaptateur en insérant les deux vis (B) dans le rail et en serrant les écrous (C).

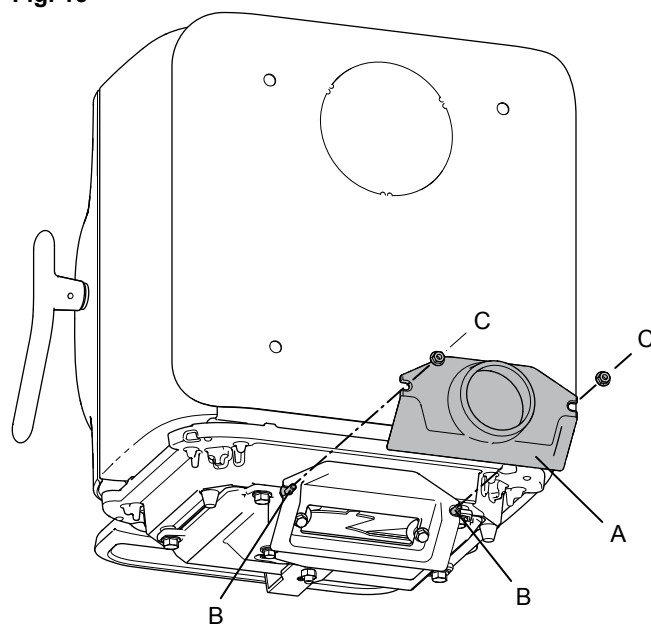
Amenée d'air frais à travers une sortie arrière

Fig. 14



1. Fixez l'adaptateur (A) dans le poêle au moyen des deux vis fournies (B).

Fig. 15



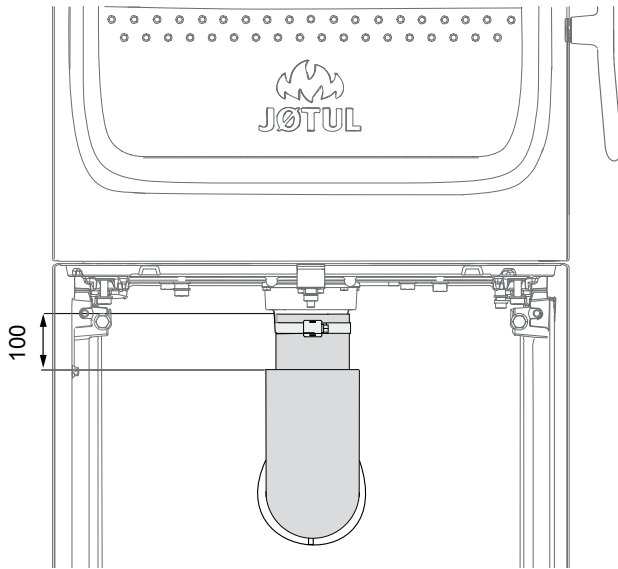
2. Fixez le raccord d'air extérieur (A) à l'adaptateur en insérant les deux vis (B) dans le rail et en serrant les écrous (C).

FRANCAIS

Raccordement de l'air extérieur à travers le socle

À travers une sortie par l'arrière

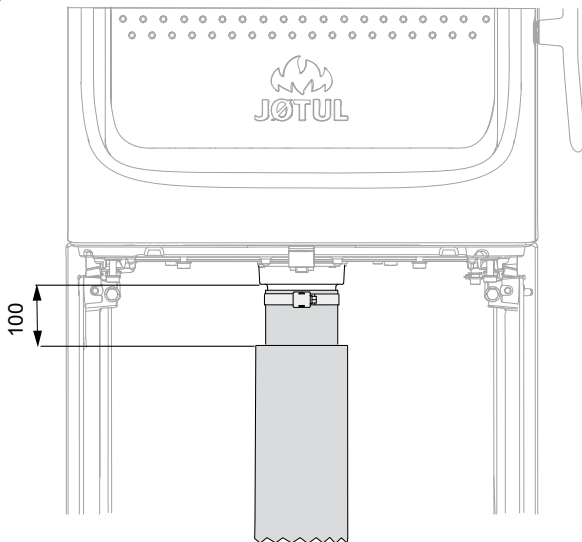
Fig. 16



3. Pour la fixation du tube d'amenée d'air frais Ø 80 (équipement optionnel - article n° 51047509), consultez le manuel (article n° 10047508.) fourni avec le kit d'air extérieur. Fixer le tuyau au connecteur de l'air extérieur à l'aide d'un collier de serrage. L'isolant du tuyau d'arrivée d'air extérieur se termine à env. **100 mm au-dessous** du poêle.

Travers le sol

Fig. 17



4. Pour la fixation du tube d'amenée d'air frais Ø 80 (équipement optionnel - article n° 51047509), consultez le manuel (article n° 10047508.) fourni avec le kit d'air extérieur. Fixer le tuyau au connecteur de l'air extérieur à l'aide d'un collier de serrage. L'isolant du tuyau d'arrivée d'air extérieur se termine à env. **100 mm au-dessous** du poêle.

4.4 Cheminées et conduits

- Le poêle peut être branché à une cheminée et à un conduit approuvés pour les poêles à combustible solide, avec les températures de fumées spécifiées dans la section «**2.0 Données techniques**».
- La section minimale de la cheminée doit correspondre à celle du conduit. Pour calculer la section adéquate de la cheminée, voir la section «**2.0 Données techniques**».
- Plusieurs poêles à combustible solide peuvent être raccordés à la même cheminée si la section de la cheminée et la réglementation le permettent.
- Le raccordement à la cheminée doit être réalisé conformément aux **D.T.U. 24.1** ; ainsi qu'aux instructions d'installation du fournisseur de la cheminée.
- Procéder à un montage d'essai du poêle avant de percer un trou dans la cheminée. Voir **fig. 1** pour les cotes.
- Raccordement arrière : veiller à ce que le conduit de raccordement soit incliné vers le haut.
- Utiliser un coude de conduit doté d'une trappe ou un té ou siphon afin de permettre les opérations de ramonage suivant règlement.
- Veiller à ce que les raccordements soient souples afin d'empêcher toute fissure lors de l'installation.
- Tirage recommandé; Voir également les sections «**2.0 Données techniques**». En cas de tirage trop important, utiliser un clapet ou un modérateur de tirage.

Plusieurs poêles à combustible solide peuvent être raccordés au même système de cheminée, dès l'instant où la section est correcte. **Remarque : Consultez les règles et règlements applicables pour savoir ce qui est permis.**

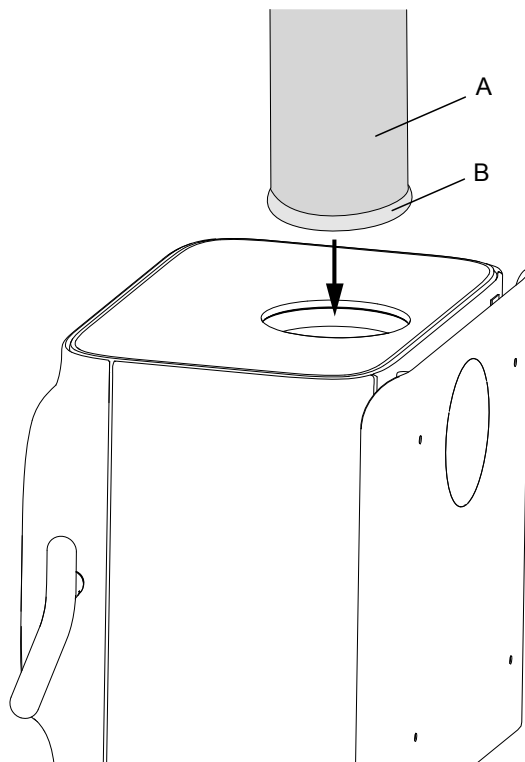
Utilisation dans des conditions météorologiques différentes

L'influence du vent sur la cheminée peut fortement influencer la manière dont le poêle réagit par rapport aux changements de vent et il peut donc être nécessaire d'ajuster l'arrivée d'air afin d'obtenir une bonne combustion.

4.5 Montage d'un conduit de fumée avec sortie par le haut

Le produit est livré avec un conduit d'évacuation de la fumée prévu pour une sortie par le haut.

Fig. 18

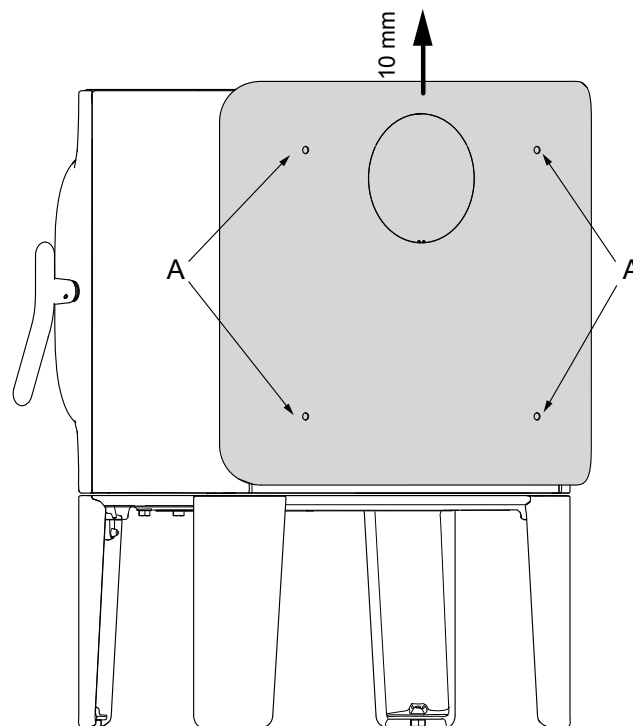


1. Emmancher le conduit de fumée (A) à travers la plaque supérieure, puis le placer dans la sortie de fumée par le haut.
2. Étanchéfier à l'aide d'un joint (B).

4.6 Montage d'un conduit de fumée avec sortie par l'arrière

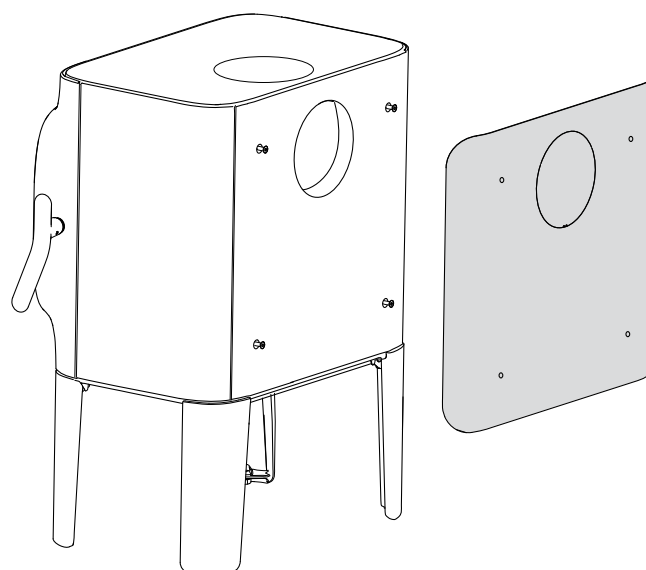
Le produit est livré avec un conduit d'évacuation de la fumée prévu pour une sortie par le haut. Si vous souhaitez une évacuation par l'arrière, procédez comme suit :

Fig. 19



3. Desserrez, mais ne pas dévisser les quatre vis (A) complètement et soulevez la plaque de convection d'env. 10 mm. Utilisez la clé hexagonale dans le sac de vis.

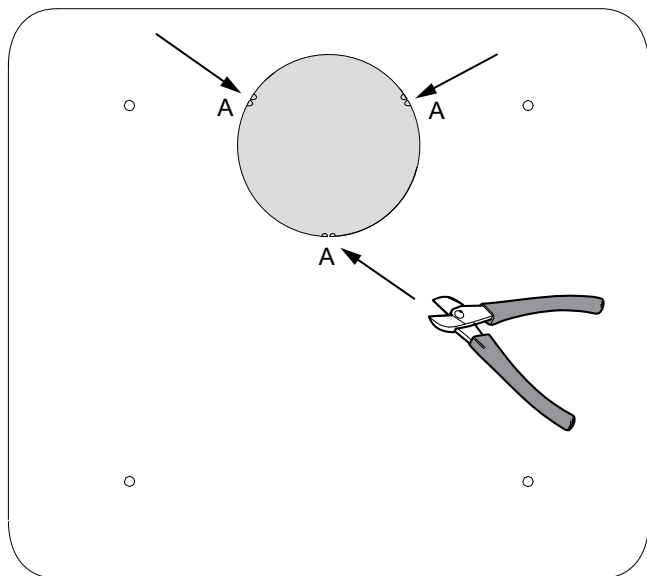
Fig. 20



4. Décrocher la plaque de convection.

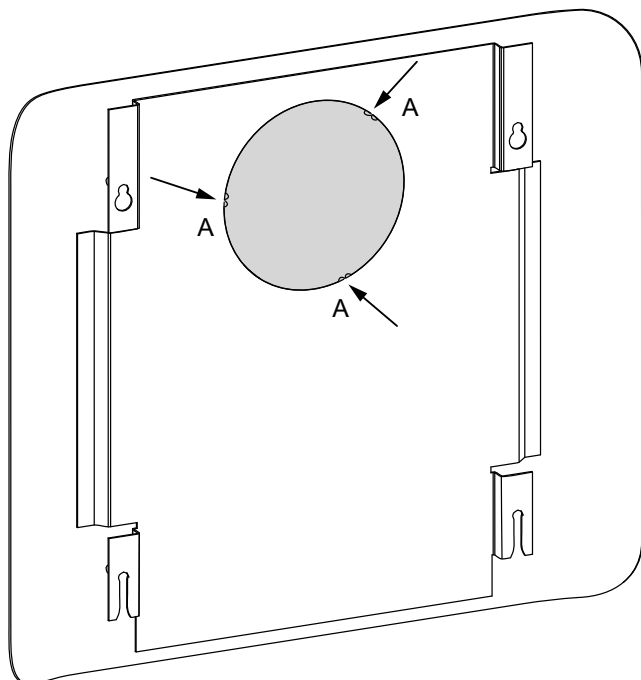
FRANCAIS

Fig. 21



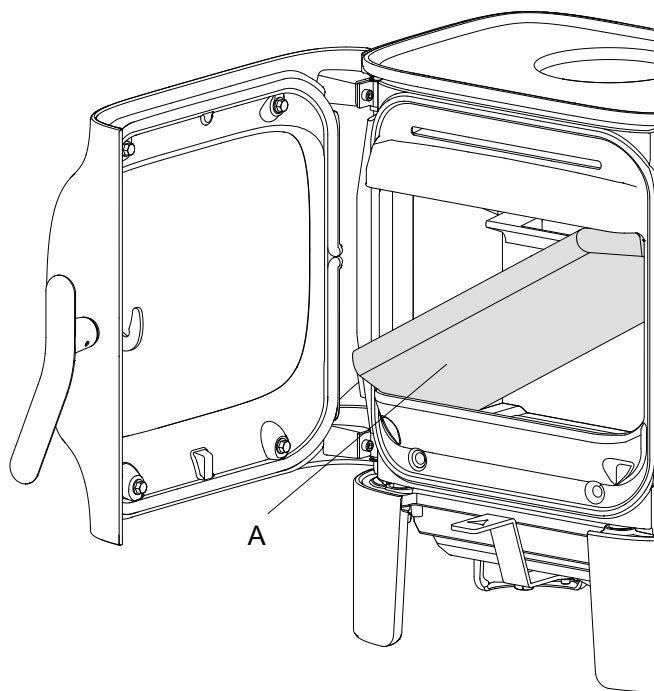
5. Découper la sortie arrière aux points (A) dans la plaque de convection et retirer le couvercle

Fig. 22



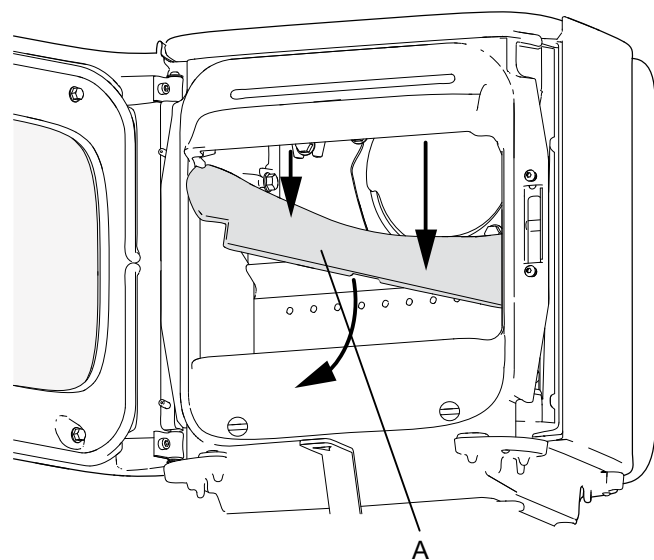
6. Procéder de la même façon pour la partie intérieure de la plaque de convection.

Fig. 23



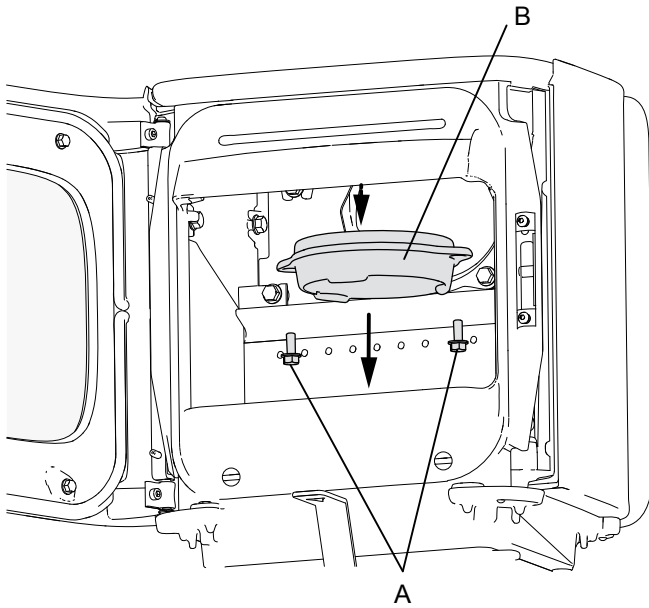
1. Retirez le déflecteur (A) en le soulevant par le bord arrière, puis le tourner pour le sortir du poêle.

Fig. 24



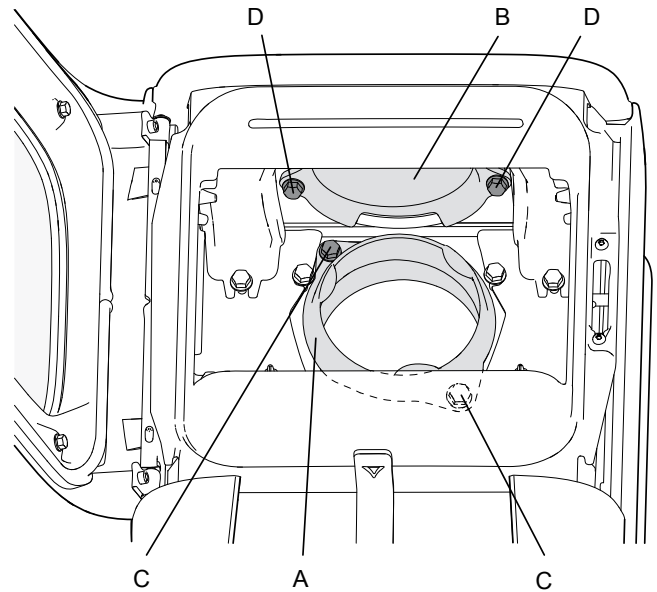
1. Placez le produit dans une position correcte. Voir la fig. 1
2. Retirez le déflecteur de fumée (A).

Fig. 25



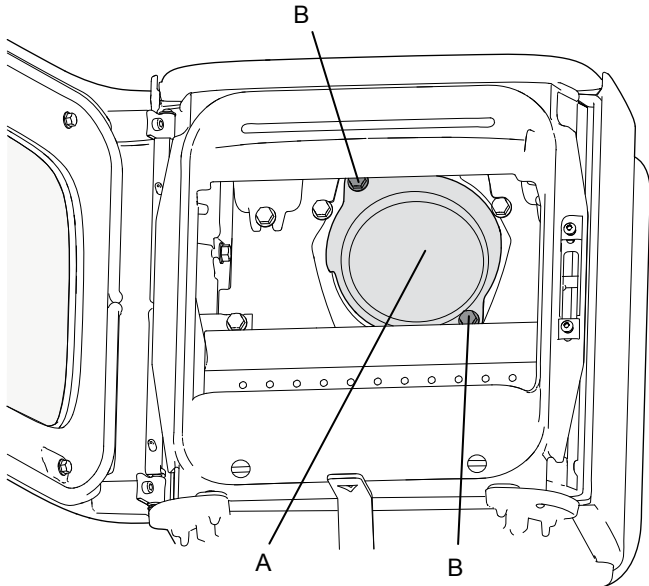
3. Desserrez les vis (A) et retirez la sortie des fumées (B) de la sortie par le haut.

Fig. 27



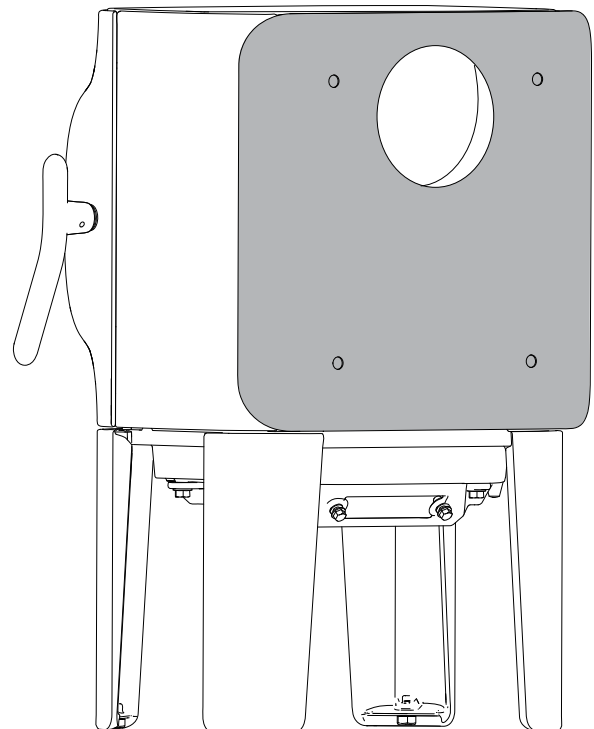
5. Fixez la sortie des fumées (A) à la sortie à l'arrière avec les deux vis (C) depuis l'intérieur du poêle.
 6. Fixez le couvercle (B) à la sortie par le haut avec les deux vis (D) depuis l'intérieur du poêle.
 7. Retirez le déflecteur supérieur (fig. 24).
 8. Positionnez le déflecteur (fig. 23).

Fig. 26



4. Desserrez les vis (B) et enlevez le couvercle (A) de la sortie arrière de l'intérieur du poêle.

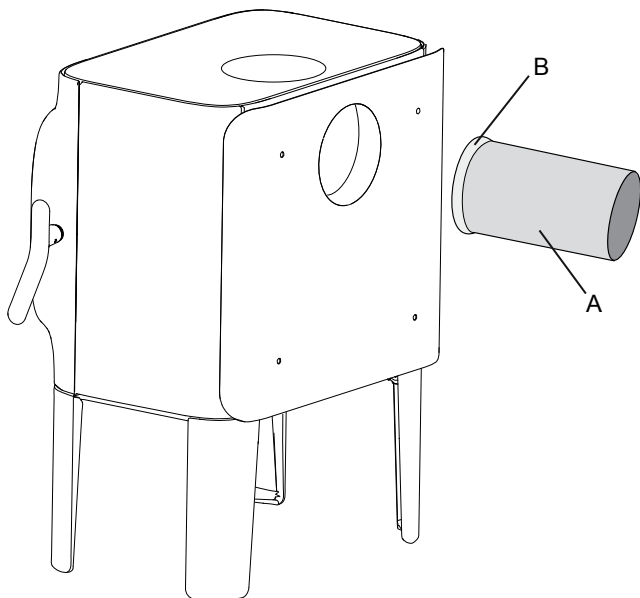
Fig. 28



9. Accrochez la plaque de convection de nouveau sur le produit et la fixer avec les quatre mêmes vis.

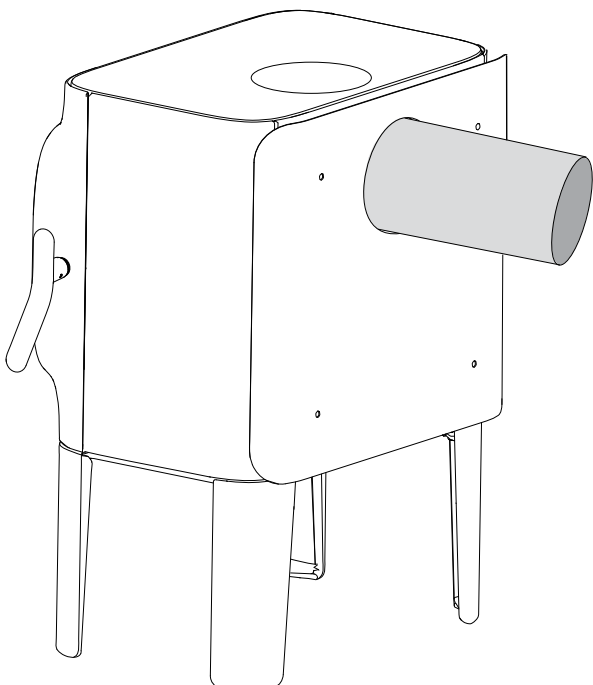
FRANCAIS

Fig. 29



10. Placer le joint d'étanchéité (B) sur le bord du conduit de fumée (A).

Fig. 30



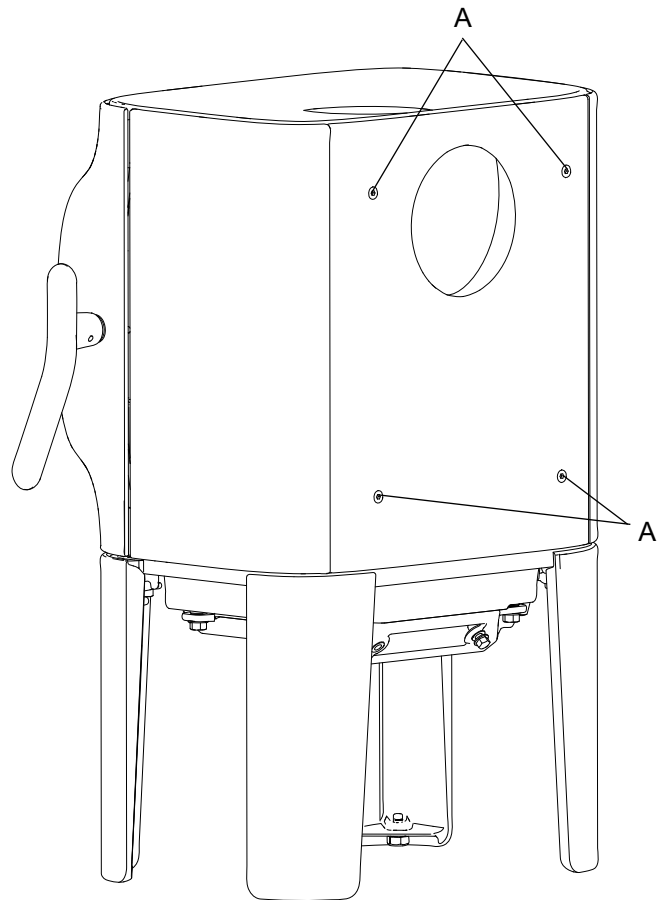
11. Insérer le conduit de fumée dans la sortie arrière.

Remarque : Il est important que les joints/conduits de fumée soient parfaitement étanches. Les fuites d'air peuvent nuire au bon fonctionnement de l'appareil.

Produit sans plaque de convection

Remarque : Si la plaque de convection n'est pas utilisée, le produit aura différentes conditions d'installation (voir fig. 1).

Fig. 31

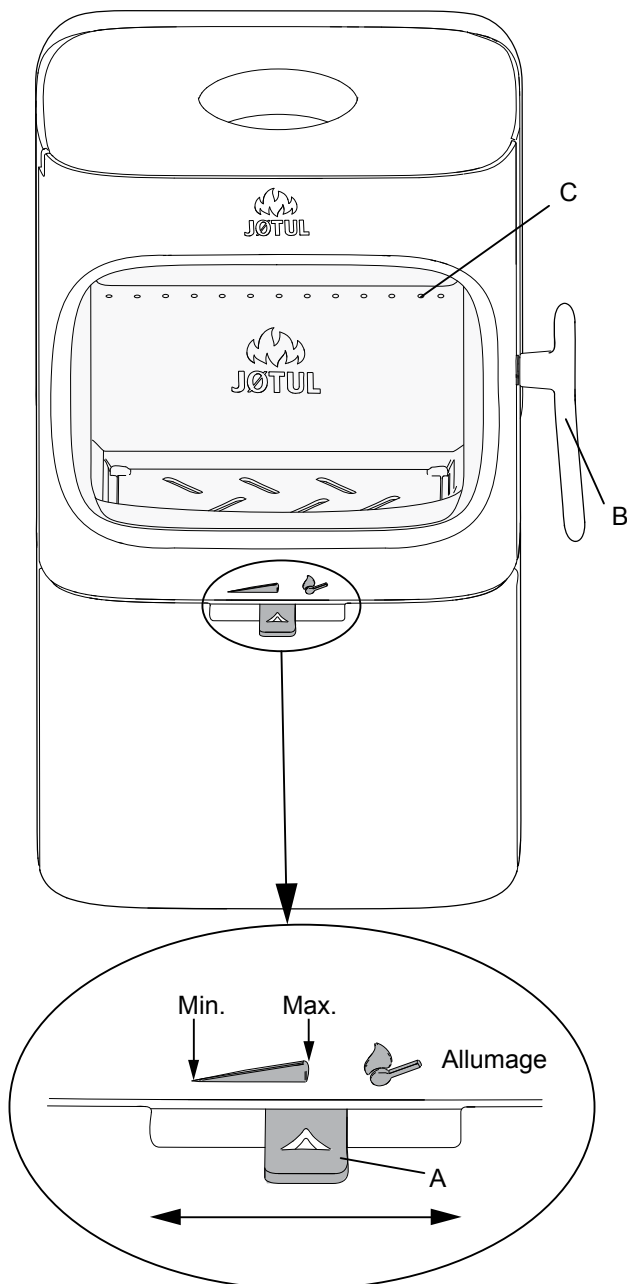


1. Si vous n'utilisez pas la plaque de convection dans le poêle, retirez les quatre vis (A) en place. Utilisez la clé six pans qui se trouve dans le sachet de vis.

4.7 Test de fonctionnement

Inspectez toujours les poignées de commande une fois l'appareil monté. Les éléments mobiles doivent fonctionner librement.

Fig. 32



Le poêle Jøtul F 105 comporte les commandes suivantes :

Registre d'air (A)

Déplacé vers la gauche : Minimum
Placé au milieu : Maximum
Poussé à fond à droite : Pour l'allumage

Poignée de porte (B)

Ouvrir en tirant sur la poignée.

Hauteur empilable (C) pour le bois (les trous ne doivent pas être dépassés).

5.0 Utilisation au quotidien

Odeurs perceptibles lors de la première utilisation du poêle

Lors de la première utilisation, le poêle peut émettre un gaz irritant et dégager des odeurs désagréables. Ceci se produit seulement lorsque la peinture est neuve. Ce gaz n'est pas toxique, mais il est recommandé de bien aérer la pièce. Maintenir un tirage élevé dans le poêle jusqu'à qu'aucun gaz, fumée ou odeur ne puisse être détecté.

Conseils de chauffage

Remarque : Il est recommandé d'entrer les bûches qui ont été stockées à l'extérieur ou dans une pièce froide 24 heures avant de les brûler afin de les amener à température ambiante.

Il existe différentes manières de chauffer le poêle, mais soyez toujours attentif à ce que vous y mettez. Voir le chapitre intitulé « La qualité du bois ». **Important !** Une alimentation en air insuffisante entraîne une mauvaise combustion, des émissions élevées et un faible niveau d'efficacité.

La qualité du bois

Par bois de qualité, nous entendons les essences les plus courantes telles que bouleau, épicéa et pin ou hêtre, chêne, érable. Suivant les pays.

Les bûches doivent sécher afin que leur teneur en eau ne dépasse pas 20 %.

Pour cela, il convient de couper le bois à la fin de l'hiver. Fendez-les et empilez-les pour permettre à l'air de bien circuler. Recouvrez les piles afin de protéger les bûches doivent sécher pendant 24 mois. Entrez les bûches dans la maison au début de l'automne en vue de leur utilisation pendant l'hiver qui suit.

Soyez particulièrement attentif à ne jamais brûler les matériaux suivants dans le poêle :

- Les déchets ménagers, les sacs en plastique, etc.
- Le bois peint ou imprégné (très toxique).
- Le bois contreplaqué
- Le bois qui est resté dans l'eau
- Les chutes de menuiserie dont le bois est trop sec.
- Le bois de récupération de chantier

Ceux-ci risquent d'endommager l'appareil et ce sont aussi des polluants.

Remarque : N'employez jamais de l'essence, de la paraffine, de l'alcool (méthylique) ou tout liquide similaire pour allumer le feu. Vous risqueriez de vous blesser sérieusement et d'endommager l'appareil.

FRANCAIS

Bois d'allumage (bois fendu menu) :

Longueur : max. 33 cm
Diamètre : 2 à 4 cm
Quantité nécessaire à l'allumage : 6 à 8 morceaux

Bois (bois fendu) :

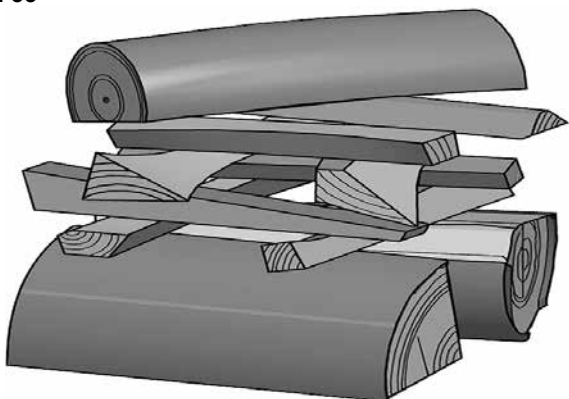
Longueur recommandée : 20 à 33 cm
Diamètre : Environ 8 cm
Ajouter du bois toutes les : 45 - 50 minutes environ
Taille du feu : 1,1kg (puissance nominale)
Quantité nécessaire à l'allumage : x2
Quantité de bois d'allumage max. : 2,0 kg

La puissance de chauffage nominale s'obtient lorsque le registre d'air est ouvert à environ 30 % (Fig. 32). La puissance de chauffage maximum s'obtient lorsque le registre d'air est ouvert à environ 50 %.

Premier allumage

Ouvrir le registre d'air frais et le registre d'allumage en tirant les poignées (fig. 32) à fond. Si nécessaire, maintenir la porte légèrement ouverte.

Fig. 33



- Disposez deux bûches au fond du poêle et empilez le bois d'allumage en strates croisées successives.
- Pour finir, placez une bûche de taille moyenne au sommet de la pile de bois.
- Placez 2 ou 3 briquettes sous la plus haute strate de bois d'allumage puis allumez le feu. **Remarque : La hauteur maximale de la pile de bois ne doit pas dépasser la ligne de trous horizontale.** Ne pas recouvrir les trous.
- Si le flux d'air est normal, vous pourrez fermer la porte et le feu continuera à brûler de lui-même.
- Vous pouvez régler la vitesse de combustion pour obtenir le degré de chauffage souhaité en ajustant le registre d'air frais (fig. 32).
- Vérifiez que la postcombustion (combustion secondaire) démarre. On le voit aux flammes jaunes, dansantes, devant les trous sous le déflecteur.

Ajouter du bois

Alimentez le poêle régulièrement mais n'ajoutez que de petites quantités de combustible à la fois. Si la combustion est trop vive, la contrainte thermique dans la cheminée risque de devenir excessive. Faites preuve de modération. Évitez les feux couvants car ils sont les plus polluants. Le feu est parfait lorsque le bois brûle bien et que la fumée qui sort de la cheminée est pratiquement invisible. Remarque : Il est important de maintenir la porte fermée pendant la combustion.

5.1 Risque de surchauffe

Ne surchauffez jamais le poêle

La surchauffe est provoquée par un excès de combustible et/ou d'air qui donne lieu à un dégagement de chaleur trop important. Lorsque le poêle devient incandescent par endroits, c'est un signe incontestable de surchauffe. Si le cas se produit, réduisez immédiatement l'apport d'air frais. En cas de surchauffe, la garantie ne pourrait pas être assurée.

Si vous pensez que la cheminée tire mal (tirage excessif ou insuffisant), contactez un spécialiste. Pour plus de détails, reportez-vous à «4.0 Installation » (Cheminée et conduit d'évacuation).

5.2 Décendrage

Le poêle Jøtul F 105 est équipé d'un cendrier qui permet de vider facilement les cendres.

- Attendez que le poêle soit froid pour retirer les cendres.
- Raclez les cendres au-dessus de la grille au fond du poêle pour qu'elles tombent dans le cendrier. Portez un gant ou une protection similaire pour vous protéger la main. Saisissez la poignée du cendrier et sortez les cendres.
- Avant de refermer la porte, assurez-vous que le cendrier a été introduit jusqu'au fond.

6.0 Maintenance

6.1 Nettoyage de la vitre

Le poêle est équipé d'un système d'entrée d'air par le haut. L'air est aspiré au-dessus du poêle et circule le long de la vitre.

L'accumulation de suie sur la vitre est toutefois inévitable, la quantité de dépôts dépendant du taux d'humidité du combustible, des conditions de tirage et du réglage de l'entrée d'air supérieure. Une grande partie de cette suie est normalement consommée lorsque l'entrée d'air est ouverte à son maximum et en présence d'un feu vif dans le poêle.

Un bon conseil ! Pour les opérations courantes de nettoyage, humidifier un essuie-tout ou du papier journal à l'eau chaude et l'imprégner de quelques cendres prélevées dans la chambre de combustion. Frotter la vitre avec ce papier puis rincer à l'eau claire et essuyer. Pour un nettoyage optimal, il est recommandé d'utiliser un nettoyant à vitres. Ne jamais projeter le produit directement sur la vitre : il risque de détériorer les fixations de la vitre et le joint, ce qui peut entraîner la cassure de la vitre.

6.2 Nettoyage et élimination de la suie

Pendant l'utilisation, de la suie peut se déposer sur les surfaces internes du poêle. La suie est un bon isolant. Elle réduit donc le rendement thermique du poêle. Utiliser une brosse métallique pour retirer tout dépôt de suie dans le produit sauf sur les plaques en vermiculite.

Laisser brûler vivement afin d'éviter tout dépôt de goudron et d'eau dans le poêle. Un nettoyage annuel de l'intérieur du poêle est requis pour optimiser le rendement du produit. Cette opération peut être réalisée lors du ramonage des conduits et de la cheminée.

6.3 Ramonage des conduits d'évacuation vers la cheminée

Le ramonage des conduits doit s'effectuer à partir de la trappe de ramonage ou depuis l'intérieur du produit suivant les réglementations locales.

Commencez par retirer les déflecteurs inférieur et supérieur.

6.4 Inspection du poêle

Jøtul recommande que l'utilisateur contrôle personnellement et soigneusement le poêle suite à une opération de ramonage/nettoyage. Vérifier l'absence de fissures sur toutes les surfaces visibles. Vérifier également l'état et la bonne installation de tous les joints. Tout joint montrant des signes d'usure, de déformation ou de dureté doit être remplacé. Un appareil ne doit jamais fonctionner avec un composant défectueux.

Nettoyer soigneusement les gorges de joint, appliquer de la colle céramique (disponible auprès des distributeurs Jøtul), puis insérer correctement le joint sans tirer dessus. La colle sèche rapidement.

6.5 Entretien de la surface externe

La couleur des produits peints peut se ternir après plusieurs années d'utilisation. Avant d'appliquer une nouvelle couche de peinture, brosser et laver la surface peinte pour en éliminer toutes les particules.

Nettoyer les produits émaillés à l'aide d'un chiffon sec uniquement. Ne pas utiliser de savon ni d'eau. Éliminer les tâches à l'aide d'un nettoyant liquide (non agressif).

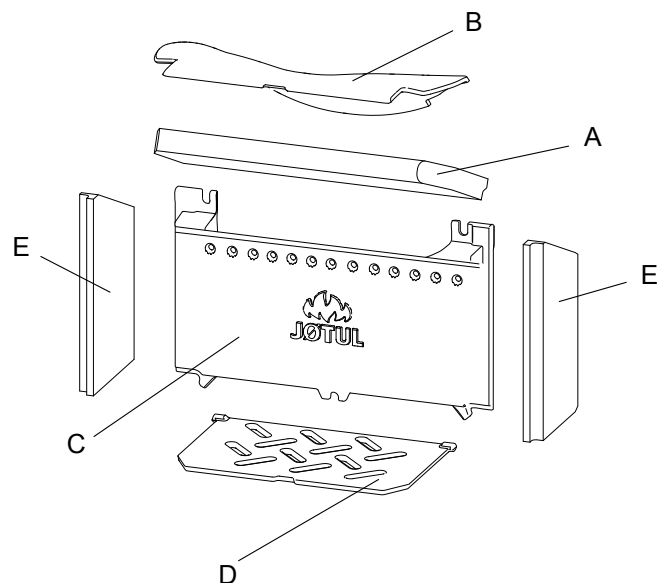
7.0 Entretien

Avvertissement ! Toute modification non autorisée du produit est interdite ! Utilisez uniquement des pièces détachées d'origine !

7.1 Entretien/remplacement de pièces du poêle

Remarque : Utilisez les outils avec précaution ! Les plaques de vermiculite sont fragiles et pourraient être endommagées si elles étaient manipulées sans précaution.

Fig. 34

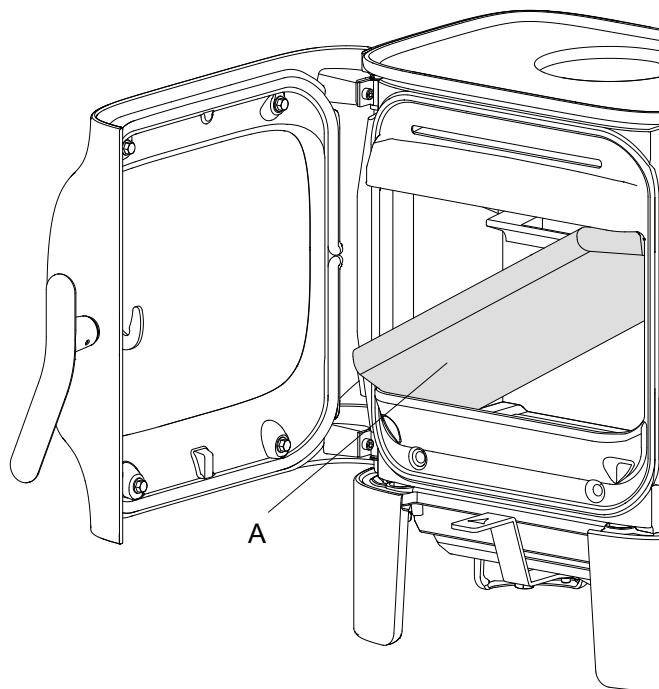


- Défecteur inférieur:** Saisir le bord avant du déflecteur (A) de haut en bas et le tourner pour l'extraire du poêle.
- Défecteur supérieur :** Saisir le bord avant du déflecteur de fumée (B) de haut en bas et le tourner pour l'extraire du poêle.
- Soulevez la **grille à cendres (D)** dans la fente du milieu à l'avant puis soulevez et dégagez le cendrier du poêle.
- Retirez les trois vis de fixation de la **plaque de doublage arrière (C)**. Soulevez l'un des côtés et le tourner pour l'extraire du poêle.

FRANCAIS

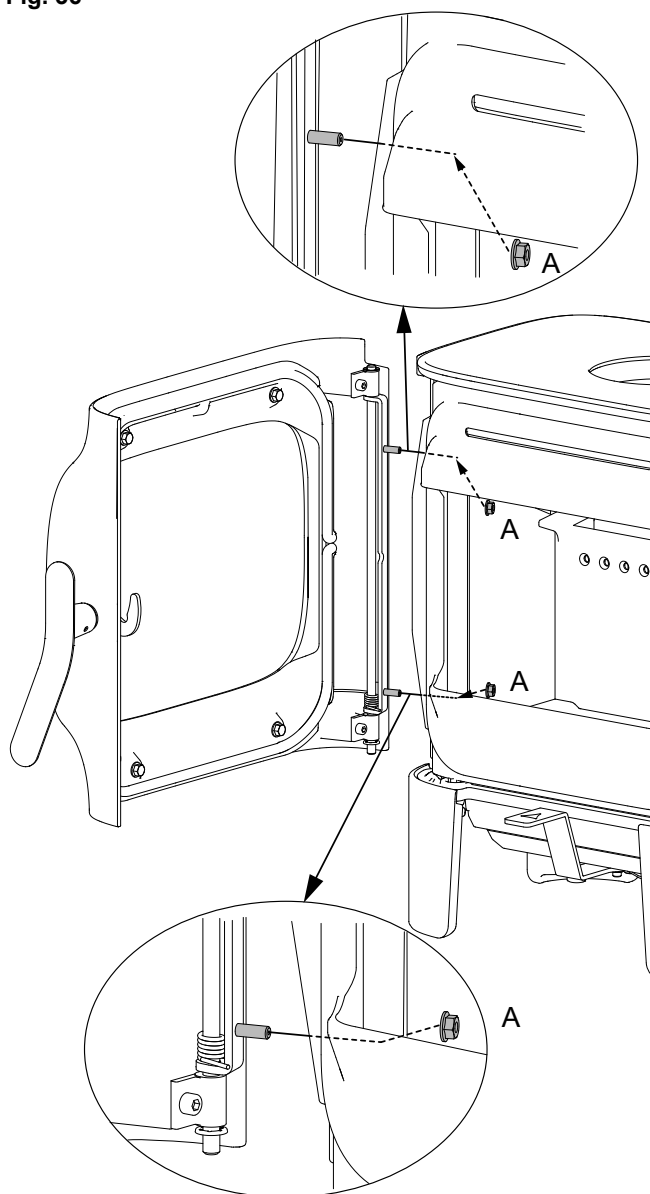
7.2 Remplacement de la vitre et des joints de la porte

Fig. 35



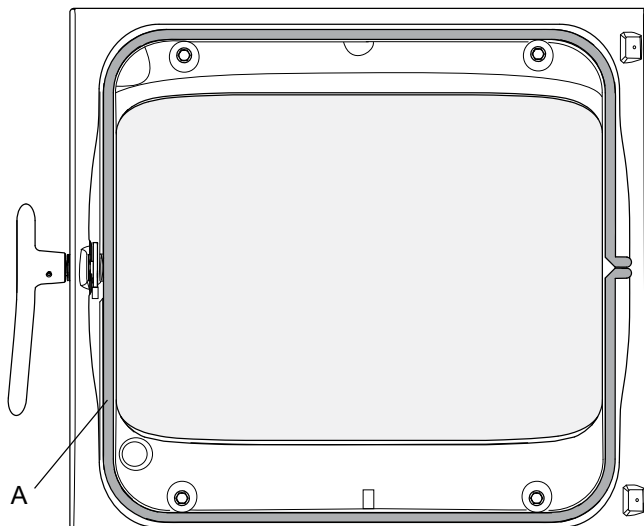
1. Retirez le déflecteur (A) en le soulevant par le bord arrière, puis le tourner pour le sortir du poêle.

Fig. 36



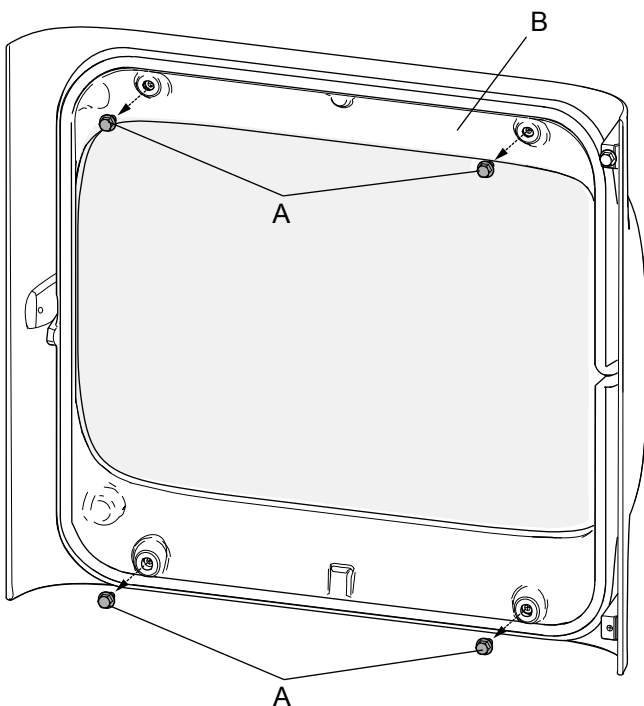
1. Dévissez les écrous (A) et décrochez la porte. Posez-la soigneusement sur la boîte en carton.

Fig. 37



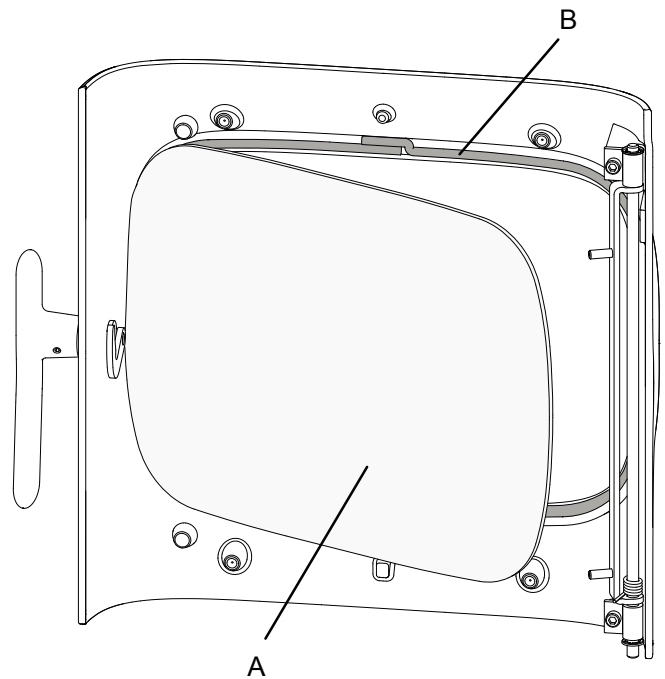
1. Retirer le joint (A) placé sur le côté intérieur de la porte, nettoyer la rainure du joint et coller un joint neuf.

Fig. 38



2. Si un joint de vitre ou une vitre doivent être remplacés, retirer d'abord la poignée de porte.
3. Dévisser le maintien de vitre (B) maintenu à l'aide de 4 vis (A). **Remarque : La vitre n'est pas tenue dans la porte. Veiller à ne pas échapper la vitre lorsque le support de vitre est desserré.**

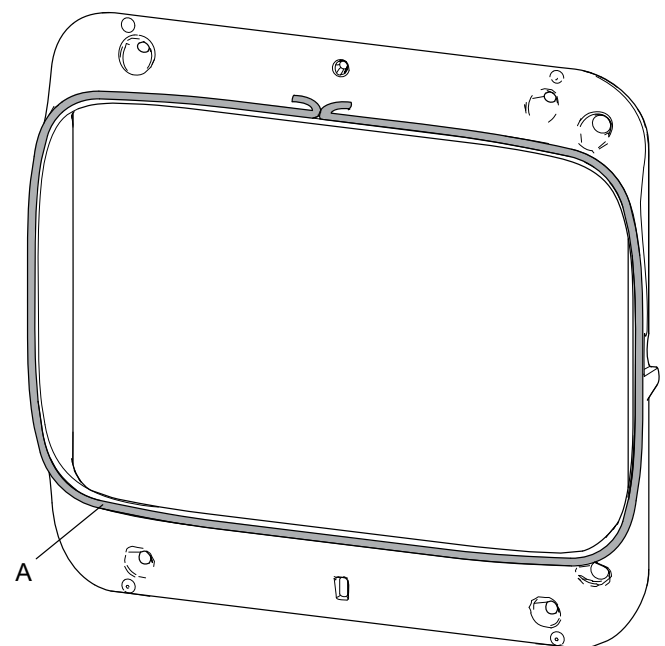
Fig. 39



4. Retirer la vitre (A) délicatement. Retirer les joints (B) et nettoyer les rainures des joints.
5. Coller de nouveaux joints.

Maintien de vitre

Fig. 40



6. Retirer le joint usagé (A) et nettoyer les rainures. Coller un nouveau joint.
7. Remonter toutes les parties, une fois tous les joints usagés ont été remplacés.

FRANCAIS

8.0 Équipements disponibles en option

8.1 Raccordement prise d'air extérieur

Raccordement prise d'air extérieur, Ø 80 mm -
Réf. cat. 51047509.

8.3. Dessus en pierre ollaire

Réf. cat. 51049066

8.4 Cendrier pour pieds

BP - Réf. cat. 51049065
WHE - Réf. cat. 51049516

8.5 Poignée du cendrier

BP - Réf. cat. 51049070
WHE - Réf. cat. 12048672

9.0 Recyclage

9.1 Recyclage de l'emballage

- Votre poêle est livré avec les emballages suivants :
- Une palette en bois qui peut être sciée et brûlée dans le poêle.
- Des emballages en carton qui doivent être déposés dans une station de recyclage près de chez vous.
- Des sacs en plastique qui doivent être déposés dans une station de recyclage près de chez vous.

9.2 Recyclage du poêle

Le poêle est composé :

- d'éléments métalliques qui doivent être déposés dans une station de recyclage près de chez vous.
- de verre qui doit être éliminé comme des déchets dangereux. Le verre dans le poêle ne doit pas être placé dans un conteneur de séparation à la source standard.
- de panneaux en vermiculite qui peuvent être déposés dans des conteneurs de déchets classiques.

10.0 Garantie

La société Jøtul offre une garantie sur les pièces extérieures en fonte en cas de vice de matière et/ou de fabrication à compter de la date de l'achat / de l'installation du poêle. L'acheteur est en droit de retourner la marchandise à condition que le poêle ait été installé en conformité avec les lois et règlements en vigueur ainsi qu'avec les instructions d'installation et d'utilisation de Jøtul.

La garantie ne couvre pas :

L'installation d'options, notamment pour rectifier le tirage, l'arrivée d'air ou d'autres circonstances qui échappent au contrôle de Jøtul. La garantie ne couvre pas les consommables tels que les plaques de doublage, les déflecteurs de fumée, les grilles de poêle, les grilles de fond, les briques réfractaires, les amortisseurs la peinture et les joints car ces éléments nécessitent d'être remplacés régulièrement en usage normal. La garantie ne couvre pas les dommages causés par l'utilisation d'un combustible inapproprié pour allumer le feu, tel que du bois ayant séjourné dans l'eau, du bois imprégné, du bois peint, des résidus de coupe, de l'aggloméré, des chutes de menuiserie, etc. La surchauffe se produit facilement en cas d'utilisation d'un combustible inapproprié. Le poêle devient alors incandescent, ce qui provoque le ternissement de la peinture et la fissuration des pièces en fonte.

La garantie ne couvre pas les avaries causées lors du transport de l'appareil entre le distributeur et le lieu de livraison. La garantie ne s'applique pas non plus aux dommages causés par l'utilisation de pièces qui ne sont pas d'origine.

Indice

1.0	Datos técnicos	47
2.0	Relación con las autoridades	47
3.0	Seguridad	48
4.0	Instalación	53
5.0	Uso diario	62
6.0	Mantenimiento.....	63
7.0	Servicio	64
8.0	Complementos opcionales	67
9.0	Reciclaje.....	67
10.0	Garantía	67

1.0 Relación con las autoridades

- La instalación de una estufa debe realizarse con arreglo a la normativa y legislación nacional. En la instalación de los productos deben cumplirse todas las disposiciones locales, incluidas aquellas referentes a las normas nacionales y europeas.
- La instalación deberá ser revisada por un inspector homologado antes de ponerse en servicio.
- Consulte a las autoridades locales en materia de construcción antes de instalar una nueva estufa.

2.0 Datos técnicos

Material:	Hierro colado
Acabado:	Pintura / esmalte
Salida de humo:	Superior, trasera
Tamaño del tubo de tiro:	Ø 125 mm
Conexión de aire exterior:	Ø 80 mm

Peso del producto:

Cámara de combustión con patas cortas:	94 kg
Cámara de combustión con patas largas:	97 kg
Cámara de combustión con base:	107 kg
Placa superior de esteatita:	14,5 kg
Extras opcionales:	bandeja recogeceniza para Jøtul F 105 LL y SL, placa de esteatita, conexión de aire exterior, asa de bandeja recogecenizas.

Tamaños de producto y distancias:

Ver Fig. 1

Especificaciones técnicas conforme a EN 13240

Potencia calorífica nominal:	4,5 kW
Volumen de humos:	4,2g/s
Tiro de la chimenea, EN 13240:	12 Pa
Presión negativa recomendada en la salida de humos:	14-16 Pa
Rendimiento:	83% a 5,2 kW
Emisiones de CO (13% O ₂):	0,09%
Emisiones de CO (13% O ₂):	1101 mg / Nm ³
Nox al 13% O ₂ :	99 mg/Nm ³
OGC al 13 % O ₂ :	76 mg/Nm ³
Emisión de partículas NS 3059:	2,7 g / kg
Consumo de aire:	3,4 litre/sec o 12,2 m ³ /h
Temperatura de la chimenea, EN 13240:	231 °C
Temperatura en la salida de humos:	277 °C
Polvo:	<7 mg/Nm ³ al 13%O ₂

Tipo de combustible:	Madera
Longitud máx. de leña:	33 cm
Consumo de combustible:	1,51 kg/h
Consumo máx. de leña:	2,0 kg
Cantidad máx. de leña:	1,1 kg
Funcionamiento:	Intermitente

Combustión intermitente se refiere al uso normal de una estufa, es decir, añadida más combustible cuando el fuego haya quedado reducido a rescoldos.

Product: Jøtul Room heater fired by solid fuel				CE	
Standard Minimum distance to adjacent combustible materials: .. Minimum distance to adjacent combustible materials: Emission of CO in combustion products: .. Flue gas temperature .. Nominal heat output .. Efficiency .. Operational range .. Fuel type .. Operational type .. The appliance can be used in a shared flue. ..					
Country	Classification	Certification standard	Approved by		
Norway	Klasse II				
Sweden	OC	SP	SP-Sveriges Provnings- och Forskningsinstitut AB		
EUR	Intermittent	EN	EN-Swedish National Testing and Research Institute		
Follow user's instructions. Use only recommended fuel. Montage- und Bedienungsanleitung beachten. Verwenden Sie nur empfohlenen Brennstoffen. Respecter les consignes d'utilisation. Utilisez uniquement les combustibles recommandés.					
Serial no: Y-xxxx, Year: 200x					
Manufacturer: Jøtul AS POB 2444 N-1602, Fredrikstad Norway			221546		

Todos nuestros productos disponen de una etiqueta que indica su número de serie y año. Escriba este número en el lugar indicado para ello en las instrucciones de instalación.

Indique siempre este número cuando se ponga en contacto con su distribuidor o con Jøtul.

Serial no.

3.0 Seguridad

N. B.: para garantizar un rendimiento y seguridad óptimos, Jøtul recomienda que sus estufas sean instaladas por un instalador cualificado (consulte la lista íntegra de distribuidores en www.jotul.com).

Cualquier modificación del producto por parte del distribuidor, instalador o usuario puede motivar que el producto y sus prestaciones de seguridad no funcionen del modo previsto. Esto también se aplica a la instalación de accesorios o extras opcionales suministrados por terceros. Lo mismo puede suceder si se desmontan o retiran componentes esenciales para el funcionamiento y la seguridad de la estufa.

En cualquier caso, el fabricante no se hará responsable del producto y el derecho a realizar una reclamación quedará anulado y sin validez.

Nota: Algunas partes de la estufa, sobre todo las superficies exteriores, se calientan durante el funcionamiento; extreme las precauciones.

3.1 Medidas de prevención de incendios

Existe un cierto elemento de riesgo cada vez que se usa la estufa. Por lo tanto, deben respetarse las siguientes instrucciones:

- Las distancias mínimas de seguridad al utilizar la estufa se muestran en la **fig. 1**.
- Asegúrese de que no haya muebles ni otros elementos inflamables demasiado cerca de la estufa. Los elementos inflamables no deberían estar a menos de **900 mm** de la estufa.
- Deje que el fuego se consuma por sí solo. Nunca apague las llamas con agua.
- La estufa se calienta cuando está encendida y puede causar quemaduras si se toca.
- Saque las cenizas solo con la estufa fría. Las cenizas pueden contener rescoldos calientes y, por lo tanto, deberán ponerse en un recipiente no inflamable.
- Las cenizas deberán sacarse al exterior o vaciarse en un lugar donde no supongan un riesgo de incendio.

Si se produce un incendio en la chimenea

- Cierre todas las trampillas y los respiraderos.
- Cierre la puerta de la estufa.
- Compruebe si hay humo en el sótano y en la buhardilla.
- Llame a los bomberos.
- Después de producirse un incendio, un experto deberá comprobar la estufa y la chimenea antes de utilizarse para asegurar que funciona correctamente.

Chimenea de acero

Si utiliza una chimenea de acero de montaje en la parte superior, tendrá que instalar tubo sin aislar desde la cámara de combustión hasta aproximadamente 10 mm por encima de la rejilla superior. Asegúrese de que la junta quede bien colocada entre el tubo de humos y la salida de humos. A continuación monte la chimenea de acero de acuerdo con las instrucciones del fabricante.

3.2 Suelo

Anclaje, base

Debe verificar que la base se adecue a la instalación de una estufa. Compruebe el peso especificado en «**2.0 Especificaciones técnicas**».

Se recomienda retirar el revestimiento del suelo que no vaya fijado a la superficie correspondiente («suelos flotantes»).

Jøtul F 105 SL (patas cortas)

La estufa Jøtul F 105 SL solo se puede instalar sobre suelos en los que tanto el revestimiento como la base sean de materiales no inflamables. Lo mismo debe aplicarse si el producto descansa directamente sobre una plancha de suelo.

Nota: La zona no inflamable delante de la estufa debe extenderse hasta **500 mm** como mínimo.

Nota: Recomendamos no instalar calefacción por suelo radiante (ni de agua ni eléctrica) en esa zona.

Requisitos para la protección de tarimas de madera bajo la estufa

La función de la plancha de suelo es proteger el suelo y los materiales inflamables de la posible caída de brasas. **El producto con patas** deben tener una placa de protección debajo y adelante en concordancia con las regulaciones nacionales.

¡Atención! El espacio libre debajo del producto con patas debe mantenerse libre.

Quite de debajo del producto cualquier revestimiento de suelo elaborado en materiales inflamables, tales como linóleo, alfombras/moquetas, etc.

Requisitos para la protección de suelos inflamables delante de la estufa

La placa delantera/la placa de piso debe ajustarse a las leyes y normas nacionales. Consulte a las autoridades locales en materia de construcción sobre posibles restricciones y requisitos de instalación.

3.3 Paredes

Distancia a paredes hechas de material combustible: ver la **fig. 1b**.

Distancia mínima a una pared de material combustible protegida con cortafuegos: ver la **fig. 1c**.

La estufa puede usarse con un tubo de tiro sin aislar siempre que las distancias entre la misma y las paredes hechas de materiales combustibles sean como las mostradas en la **fig. 1b**.

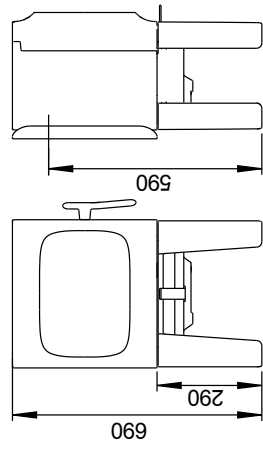
Nota: Coloque la estufa de modo que sea posible limpiar la propia estufa, el tubo de humos y la chimenea.

Nota: Asegúrese de que los muebles y otros enseres estén a una distancia de la estufa que evite que se sequen con el calor.

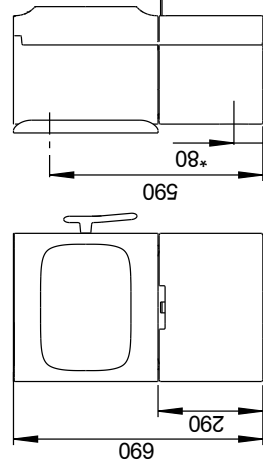
Jøtul F 105

Fig. 1 a

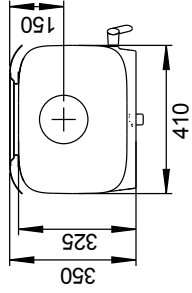
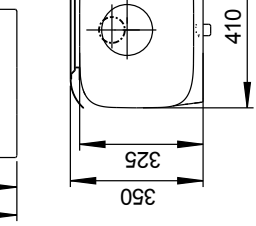
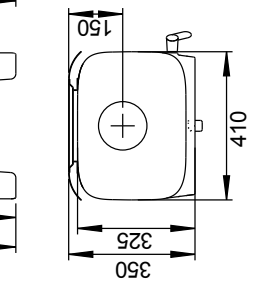
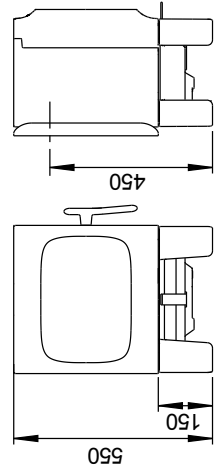
Jøtul F 105 con patas largas



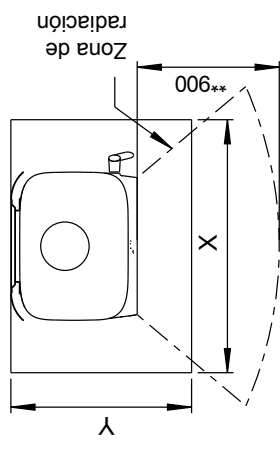
Jøtul F 105 con base



Jøtul F 105 con patas cortas



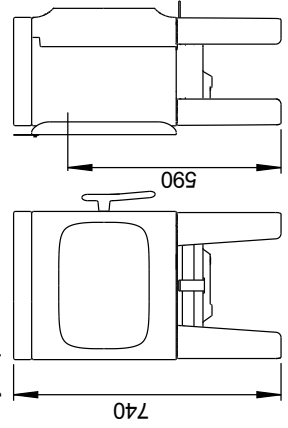
Plancha de suelo



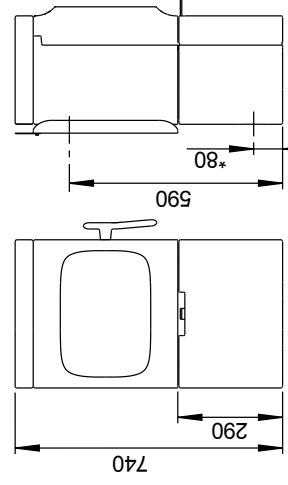
Dimensiones mínimas de la placa de piso
X / Y = De conformidad con las leyes y
reglamentos nacionales.

** Distancia mínima a muebles /
materiales combustibles.

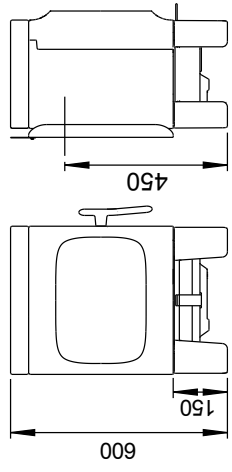
Jøtul F 105 con patas largas
y tapa de esteatita



Jøtul F 105 con base
y tapa de esteatita



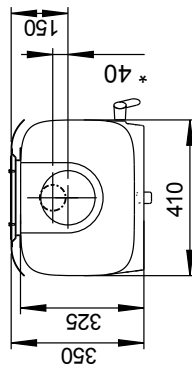
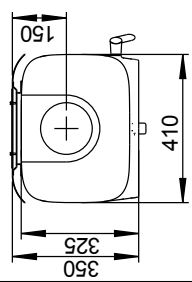
Jøtul F 105 con patas cortas
y tapa de esteatita



La estufa Jøtul F 105 SL (con patas cortas) solo se puede
instalar sobre suelos en los que tanto el revestimiento como
la base sean de materiales no inflamables. Lo mismo debe
aplicarse si el producto descansa directamente sobre una
plancha de suelo.

**Nota: La zona no inflamable delante de la estufa debe
extenderse hasta 500 mm como mínimo.**

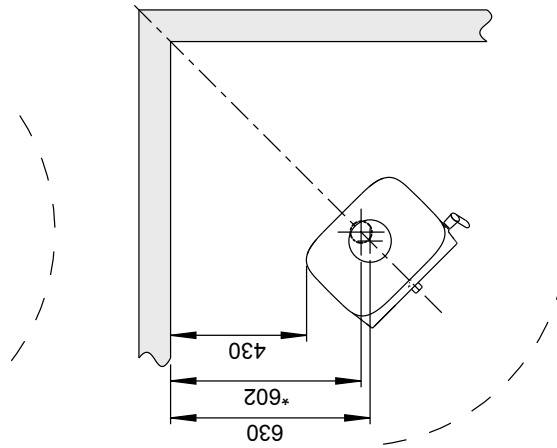
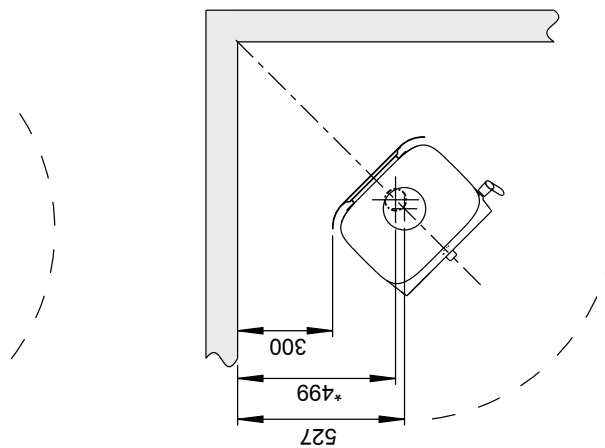
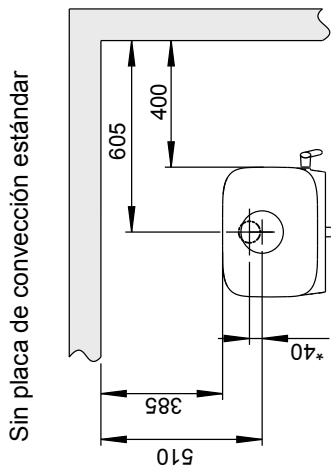
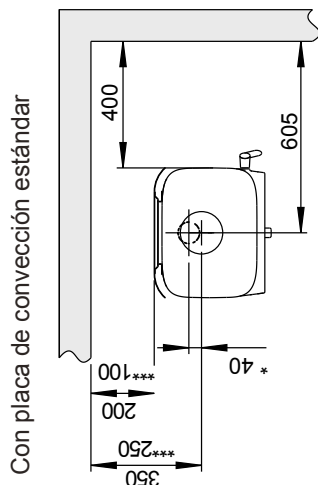
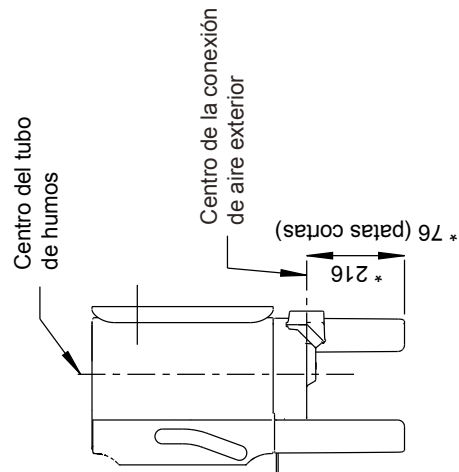
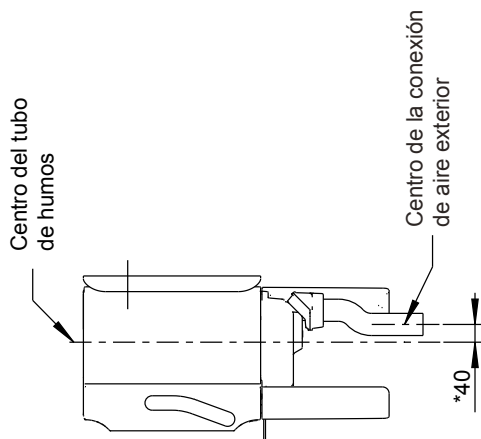
**Nota: Recomendamos no instalar calefacción por suelo
radiante (ni de agua ni eléctrica) en esa zona.**



Distancia mínima a pared de material combustible

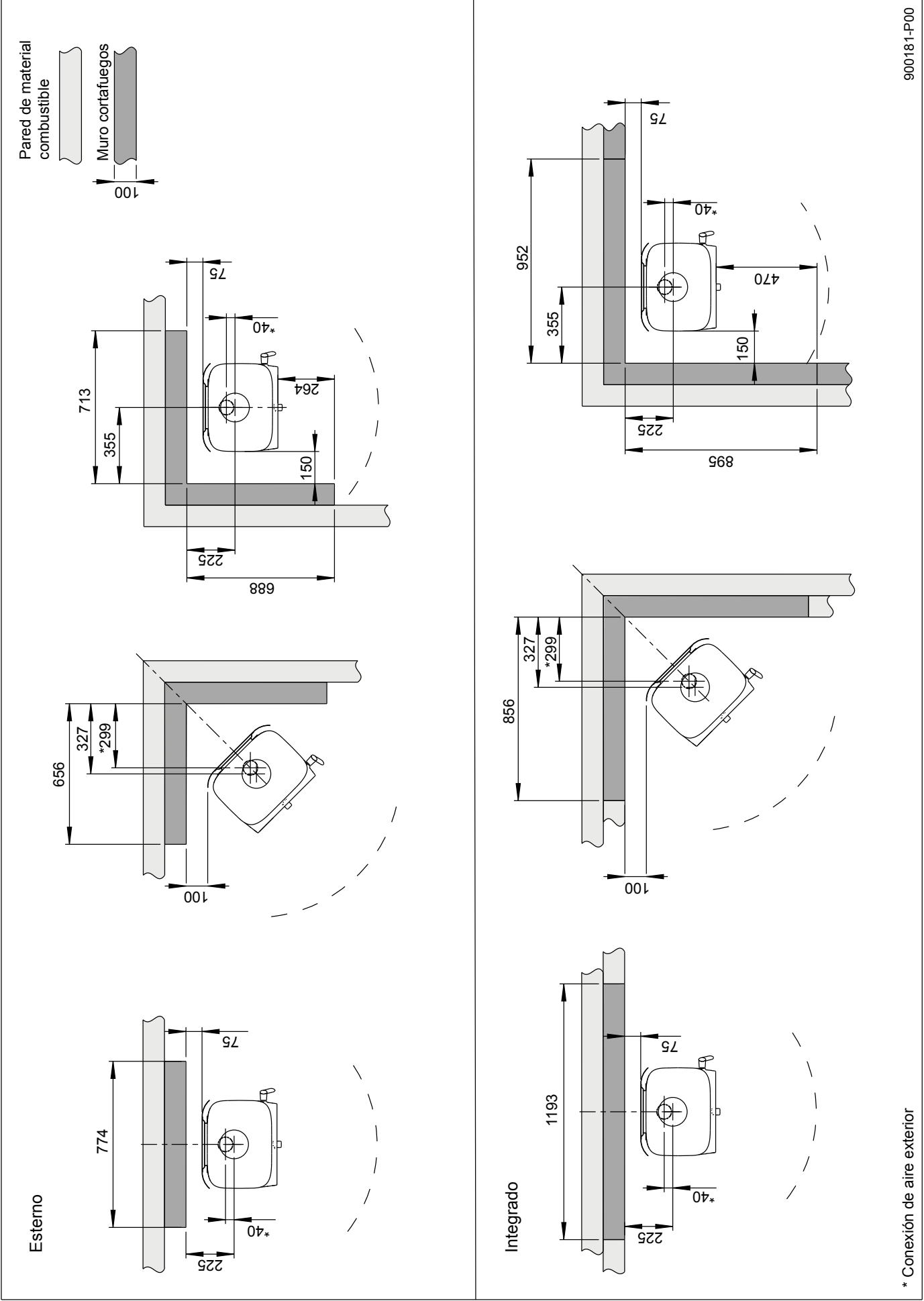
Fig. 1 b

Pared de material combustible



* Conexión de aire exterior
 *** Distancia a pared inflamable con tubo de humos semiaislado o con pantalla térmica (mínimo 30 mm aislamiento).

Fig. 1 c Distancia mínima a una pared de material combustible protegida con cortafuegos



ESPAÑOL

Entrada de aire exterior

En las viviendas bien aisladas, es necesario contar con una buena renovación del aire de combustión. Este punto es particularmente importante en las casas con ventilación mecánica. El aire de renovación se puede obtener de varias maneras. Lo más importante es que la estancia en la que se encuentra la estufa reciba un suministro de aire adecuado. Coloque el regulador de entrada de aire exterior tan cerca de la estufa como sea posible y asegúrese de mantenerlo cerrado cuando la estufa esté apagada.

Respete la normativa nacional y local al instalar la conexión de aire exterior.

Sistema de combustión cerrada

Si la vivienda es de reciente construcción y cuenta con buenos cerramientos, utilice el sistema de combustión cerrada de la estufa. Conecte la entrada de aire de combustión exterior mediante un tubo de ventilación que entre por la fachada o el suelo.

Suministro de aire

El volumen de aire de combustión para los productos de Jøtul es de aproximadamente 20-40 m³/h.

La conexión de aire exterior se puede conectar directamente a la Jøtul F 105 por:

- a parte inferior
- a través de un tubo flexible desde el exterior/chimenea (solo si la chimenea tiene su propio conducto para aire externo) y al conector de aire externo del producto.

Fig. 2A, a través de una pared exterior

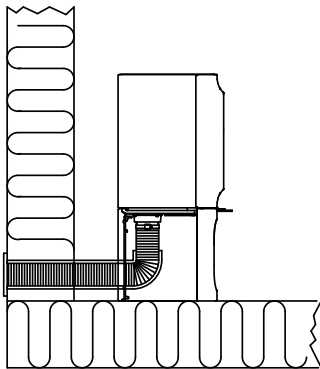


Fig. 2B, a través de la placa de piso y el suelo

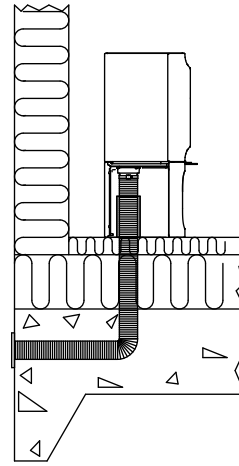


Fig. 2C, a través del suelo y el zócalo

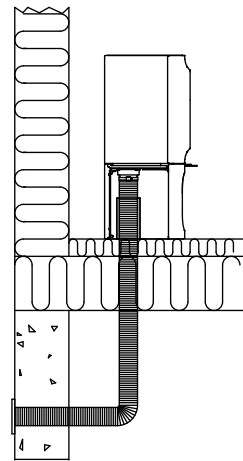
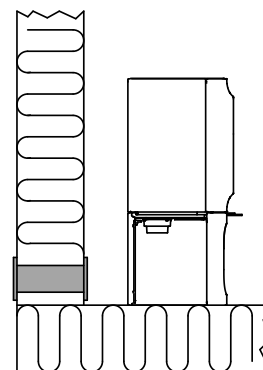


Fig. 2D, indirectamente a través de una pared exterior



4.0 Instalación

Nota: Compruebe que la estufa esté intacta antes de iniciar la instalación.

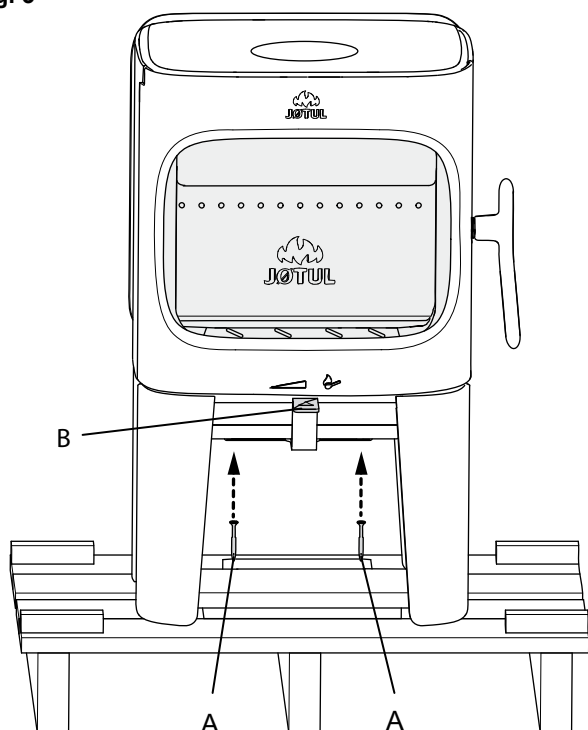
Nota: ¡Atención! El producto es pesado. Utilice ayuda para situar e instalar el producto. La cámara de combustión es pesada. Asegúrese de que el producto no vuelque.

Nota: No ponga nada sobre la tapa de la estufa; el acabado de pintura o esmalte podría sufrir daños permanentes.

Nota: Lea detenidamente las Instrucciones de instalación y funcionamiento antes de instalar la estufa.

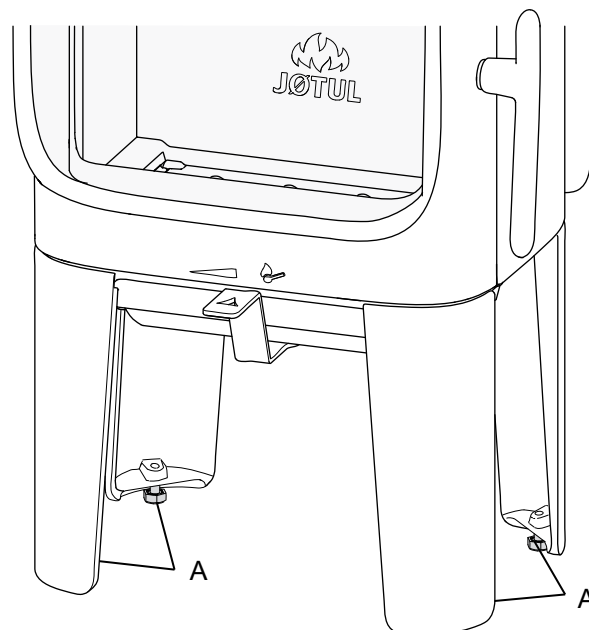
4.1 Antes de la instalación - Jøtul F 105 con patas largas

Fig. 3



1. Quite los dos tornillos de transporte (A) que sujetan la estufa al palet de madera.
2. No baje de momento la estufa del palet.
3. Saque los guantes, la bolsa de tornillos, el conector para aire exterior y el adaptador de la cámara de combustión.
4. Compruebe que el mando de regulación (B) se mueva sin problemas.

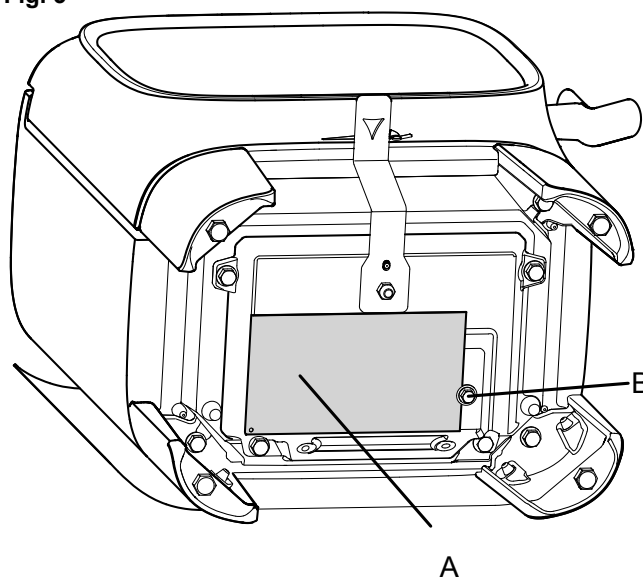
Fig. 4



5. Baje la estufa del palet.
6. Coloque la estufa y nivélela con ayuda de los 4 tornillos de ajuste de la altura. Si el tubo de humos y la entrada de aire exterior van a ir en la parte posterior de la estufa, haga en la pared las marcas correspondientes. **NOTA:** Tenga en cuenta la altura de la plancha de suelo.

Chapa de homologación

Fig. 5



1. Saque la chapa de homologación (A) de la cámara de combustión y sujétela con el tornillo (B) como se muestra. Apriete el tornillo con una llave de vaso adecuada. Nota: No corte el alambre utilizado para sujetar la chapa.

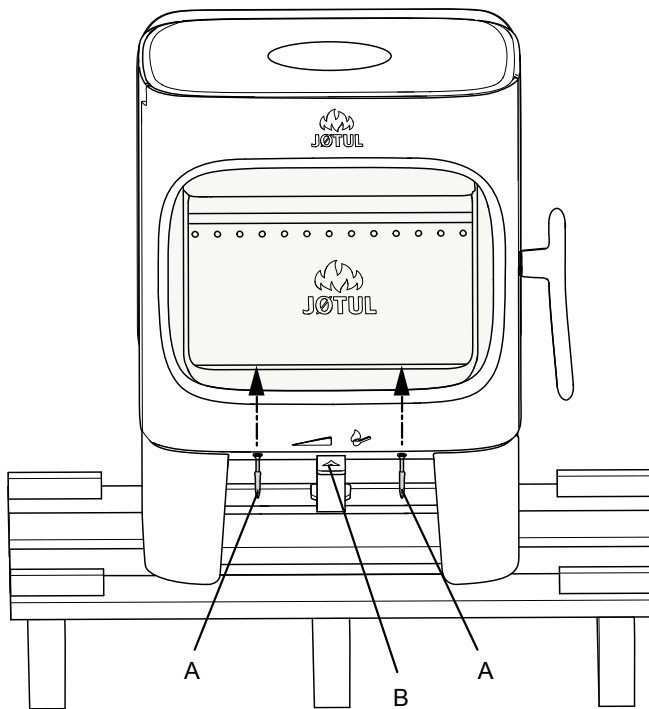
4.2 Antes de la instalación - Jøtul F 105 SL con patas cortas

La estufa Jøtul F 105 SL (con patas cortas) solo se puede instalar sobre suelos en los que tanto el revestimiento como la base sean de materiales no inflamables. Lo mismo debe aplicarse si el producto descansa directamente sobre una plancha de suelo.

Nota: La zona no inflamable delante de la estufa debe extenderse hasta 500 mm como mínimo.

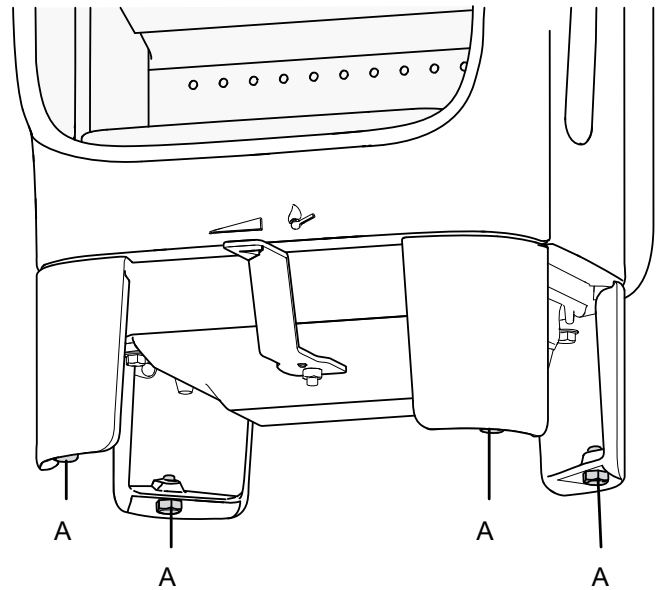
Nota: Recomendamos no instalar calefacción por suelo radiante (ni de agua ni eléctrica) en esa zona.

Fig. 6



1. Quite los dos tornillos de transporte (A) que sujetan la estufa al palé de madera.
2. No baje de momento la estufa del palé.
3. Saque los guantes, la placa deflectora, la bolsa de tornillos, el conector para aire exterior y el adaptador de la cámara de combustión.
4. Compruebe que el mando de regulación (B) se mueva sin problemas

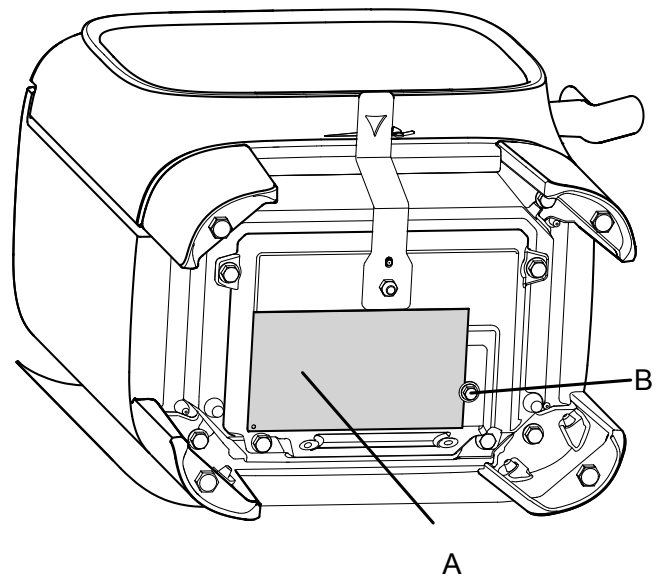
Fig. 7



5. Baje la estufa del palé.
6. Coloque la estufa y nivélela con ayuda de los 4 tornillos de ajuste de la altura. Si el tubo de humos y la entrada de aire exterior van a ir en la parte posterior de la estufa, haga en la pared las marcas correspondientes. **NOTA:** Tenga en cuenta la altura de la plancha de suelo.

Chapa de homologación

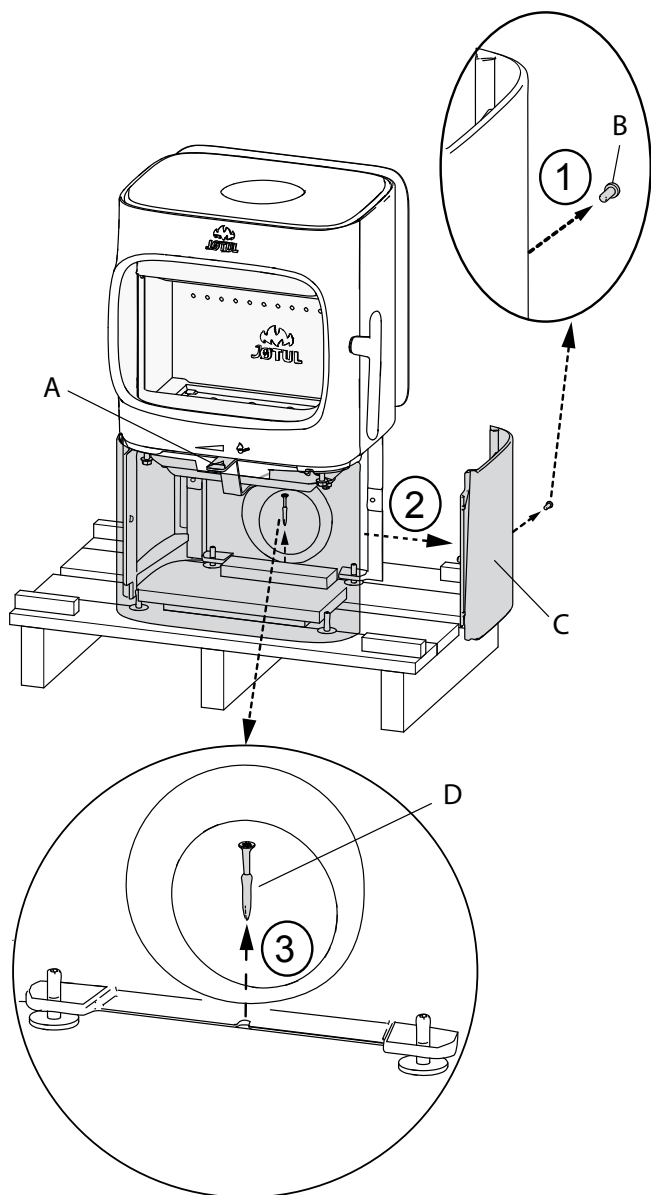
Fig. 8



1. Saque la chapa de homologación (A) de la cámara de combustión y sujétela con el tornillo (B) como se muestra. Apriete el tornillo con una llave de vaso adecuada. Nota: No corte el alambre utilizado para sujetar la chapa.

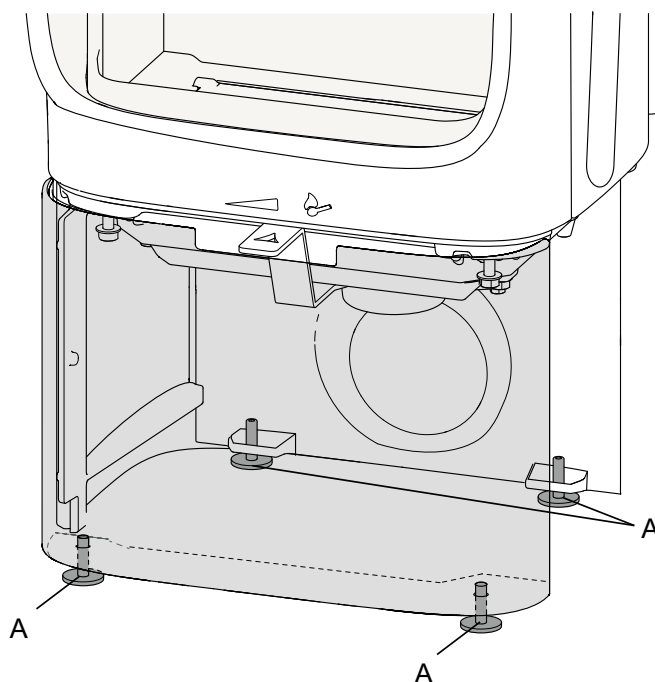
4.3 Preparativos para instalar la Jøtul F 105 con base

Fig. 9



1. Saque los guantes, la placa deflectora, la bolsa de tornillos, el conector para aire exterior y el adaptador de la cámara de combustión.
 1. Quite el tornillo que hay en el centro del borde trasero de la placa lateral.
 2. Quite la placa lateral (C).
 3. Quite el tornillo de transporte (D) que sujeta la estufa al palé de madera.
2. Compruebe que el mando de regulación (A) se mueva sin problemas.
3. Baje la estufa del palé y póngala en el lugar de instalación (consulte la fig. 1).

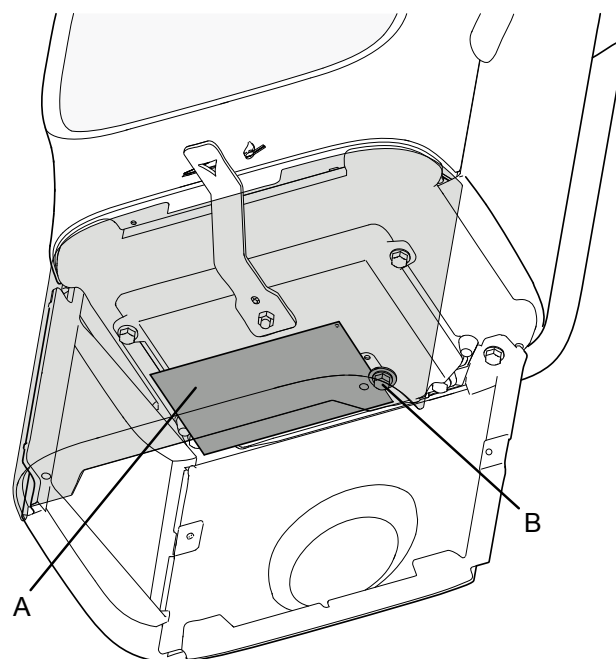
Fig. 10



4. Baje la estufa del palé.
5. Coloque la estufa y nivélela con ayuda de los 4 tornillos de ajuste de la altura. Use la llave hexagonal que encontrará en la bolsa de tornillos. Si el tubo de humos y la entrada de aire exterior van a ir en la parte posterior de la estufa, haga en la pared las marcas correspondientes. **NOTA: Tenga en cuenta la altura de la plancha de suelo.**

Chapa de homologación

Fig. 11

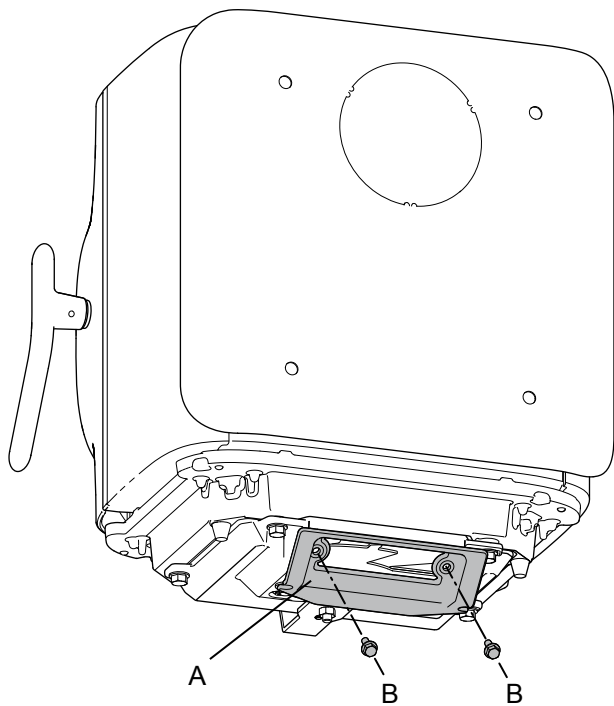


1. Saque la chapa de homologación (A) de la cámara de combustión y sujétela con el tornillo (B) como se muestra. Apriete el tornillo con una llave de vaso adecuada. Nota: No corte el alambre utilizado para sujetar la chapa.

ESPAÑOL

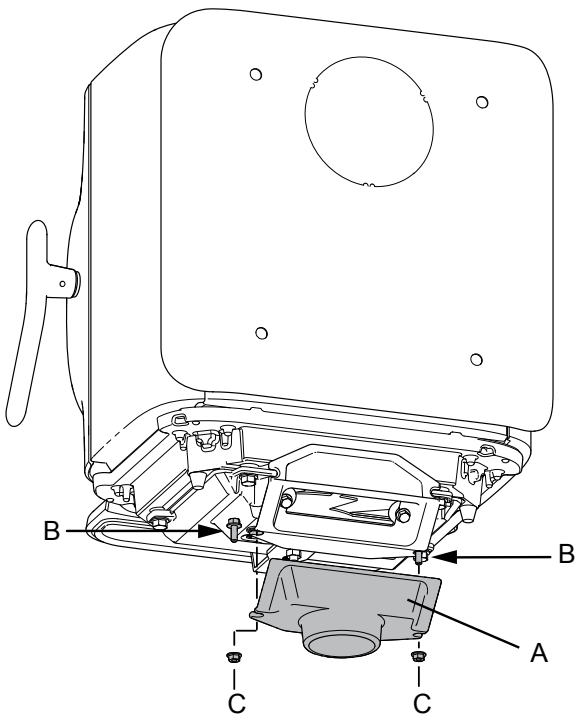
Entrada de aire exterior por el suelo

Fig. 12



1. Sujete el adaptador (A) a la parte inferior de la cámara de combustión con los tornillos suministrados (B).

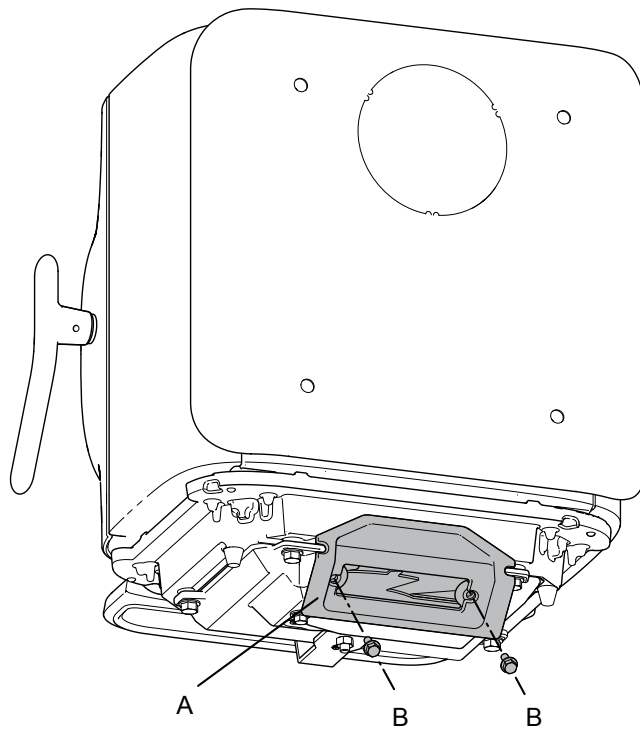
Fig. 13



2. Sujete el conector para aire exterior (A) al adaptador insertándolo en los dos tornillos (B) por las muescas previstas para ello y apretando las tuercas (C).

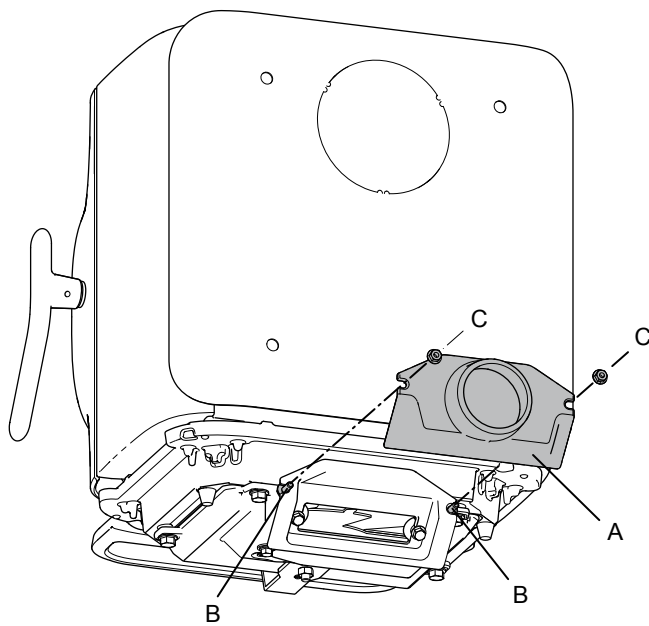
Entrada de aire exterior por la parte posterior

Fig. 14



1. Sujete el adaptador (A) a la cámara de combustión con los dos tornillos suministrados (B).

Fig. 15

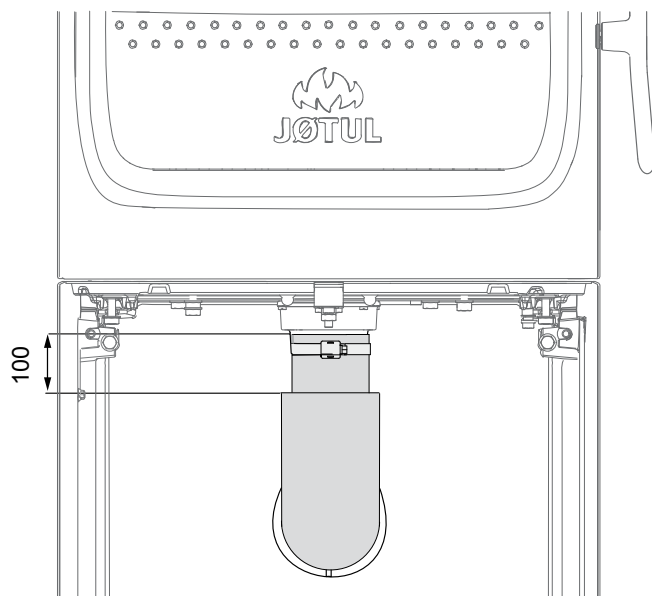


2. Sujete el conector para aire exterior (A) al adaptador insertándolo en los dos tornillos (B) por las muescas previstas para ello y apretando las tuercas (C).

4.4 Toma de aire exterior por la base

Por la parte posterior

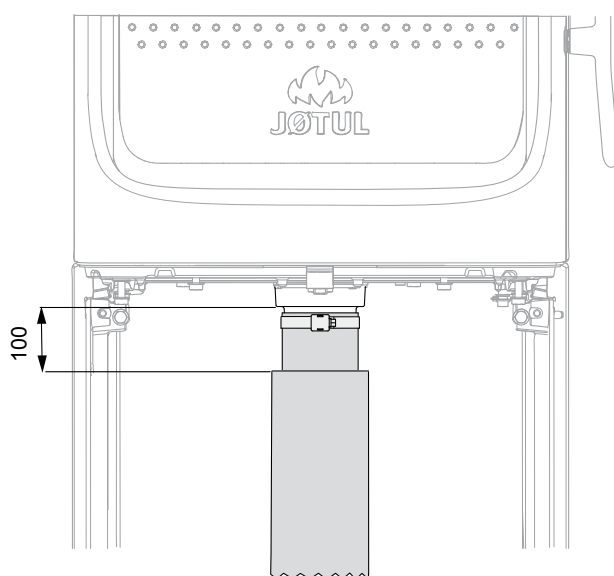
Fig. 16



- Para sujetar el tubo de entrada de aire exterior de $\varnothing 80$ (accesorio opcional, n.º de artículo 51047509) consulte el manual (n.º de artículo 10047508) que se suministra con el kit para aire exterior. Sujete el tubo al conector para aire exterior con una abrazadera para tubo. El aislante del tubo para aire exterior termina a unos **100 mm** del conector, debajo de la cámara de combustión.

Por el suelo

Fig. 17



- Para sujetar el tubo de entrada de aire exterior de $\varnothing 80$ (accesorio opcional, n.º de artículo 51047509) consulte el manual (n.º de artículo 10047508) que se suministra con el kit para aire exterior. Sujete el tubo al conector para aire exterior con una abrazadera para tubo. El aislante del tubo para aire exterior termina a unos **100 mm** del conector, debajo de la cámara de combustión.

4.5 Chimenea y tubo del tiro

- La estufa solo debe conectarse a una chimenea y tubo de tiro homologados para estufas de combustible sólido con temperaturas de gas de tiro conforme a lo especificado en «**2.0 Datos técnicos**».
- La sección de la chimenea debe estar diseñada para ajustarse a la estufa. Emplee «**2.0 Datos técnicos**» para calcular la sección correcta de chimenea.
- La chimenea debe conectarse de acuerdo con las instrucciones de instalación del proveedor de la chimenea.
- Antes de practicar un orificio en la chimenea, debe instalarse provisionalmente el producto para marcar correctamente la posición de la estufa y del orificio de la chimenea. Consulte la **Fig. 1** para determinar las dimensiones mínimas.
- Asegúrese de que el tubo de tiro suba todo a lo largo de la chimenea.
- Con una salida trasera, emplee un codo de tubo de tiro con una trampilla que permita su deshollinado.
- No olvide que es de suma importancia que las conexiones ofrezcan un cierto grado de flexibilidad. Ello tiene como fin prevenir que el movimiento de la instalación pueda generar grietas.
- Para recomendaciones sobre la corriente de chimenea, consulte el apartado «**2.0 Especificaciones técnicas**». Para las dimensiones del tubo de tiro con la sección correspondiente, consulte «**2.0 Especificaciones técnicas**».

N. B.: La longitud mínima recomendada de la chimenea es de 3,5 m desde la inserción del tubo de tiro. Si la corriente es demasiado fuerte, podrá instalarse un amortiguador de tubo de tiro y utilizarse para reducir la corriente.

Se pueden conectar varias estufas de combustible sólido al mismo sistema de chimenea si la sección de la chimenea es adecuada. **Nota: Compruebe las normas y reglamentos aplicables para saber si está permitido hacerlo.** Incluso una buena chimenea puede no funcionar como es debido si se utiliza mal.

Funcionamiento en distintas condiciones climatológicas

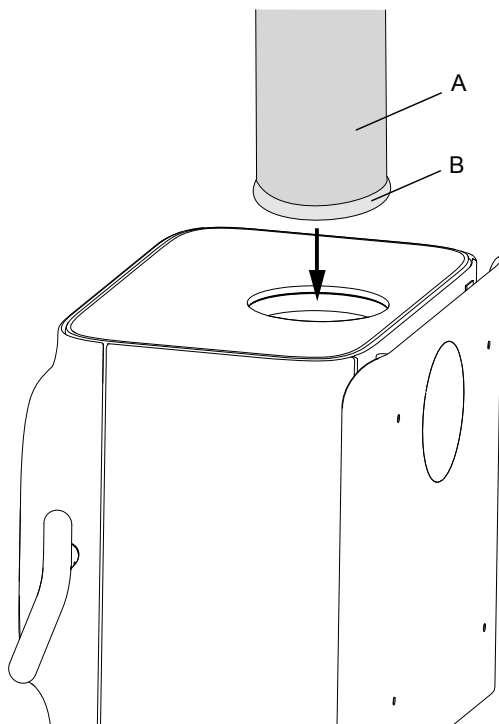
El efecto del viento en la chimenea puede influir decisivamente en la reacción de la estufa a las rachas de viento. Para que la combustión sea la adecuada es posible que haya que ajustar la entrada de aire.

ESPAÑOL

4.4 Instalación de tubo de humos con salida por la parte superior

El producto se suministra de fábrica con la salida de humos en la parte superior.

Fig. 18

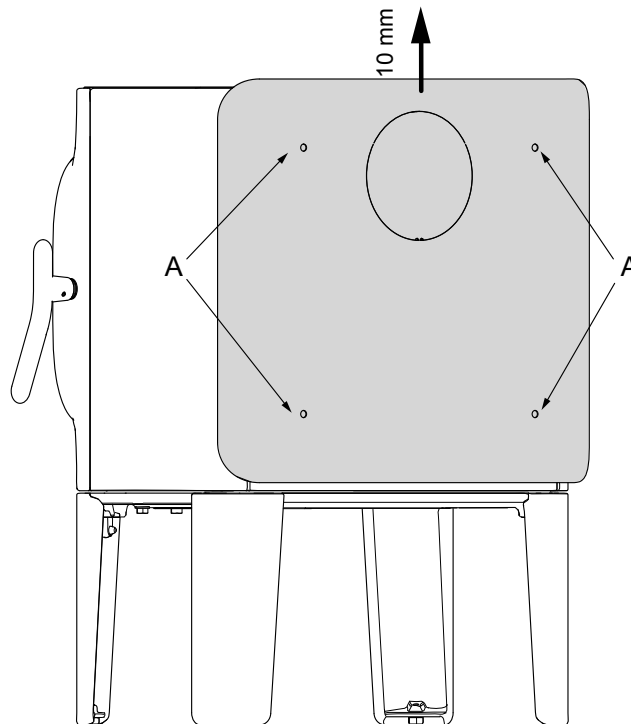


1. Introduzca el tubo de humos (A) por la placa superior y ajústelo a la salida de humos superior.
2. Coloque una junta (B) para garantizar la estanqueidad.

4.5 Instalación de tubo de humos con salida por la parte posterior

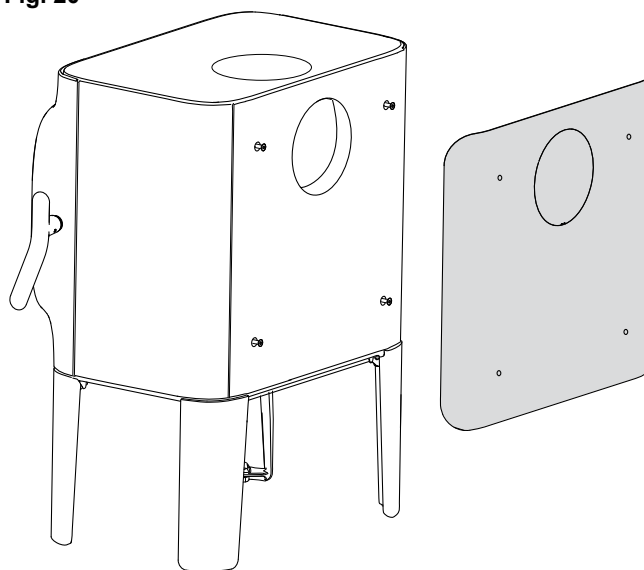
El producto se suministra de fábrica con la salida de humos en la parte superior. Si necesita que el tubo de humos vaya en la parte posterior, realice los pasos siguientes:

Fig. 19



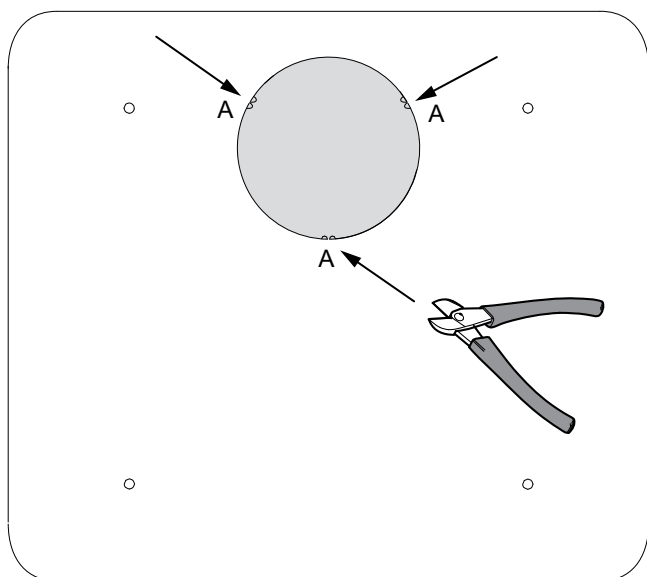
3. Afloje los cuatro tornillos (A) pero no los saque del todo y levante la placa de convección unos 10 mm. Use la llave hexagonal que encontrará en la bolsa de tornillos.

Fig. 20



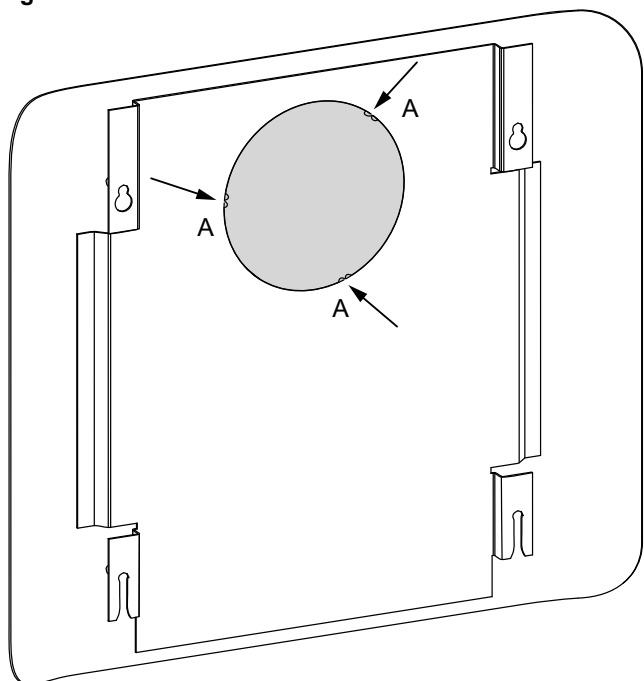
4. Desenganche la placa de convección.

Fig. 21



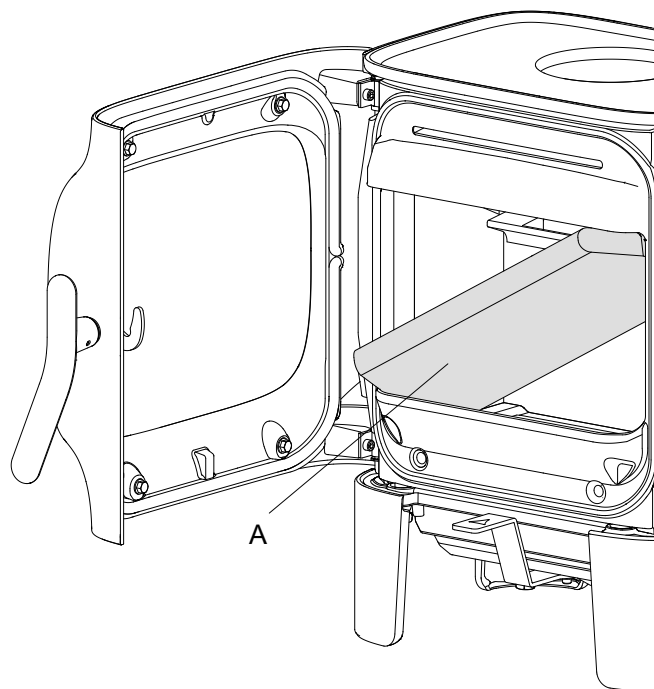
5. Corte la salida posterior por los puntos (A) indicados y quite la tapa.

Fig. 22



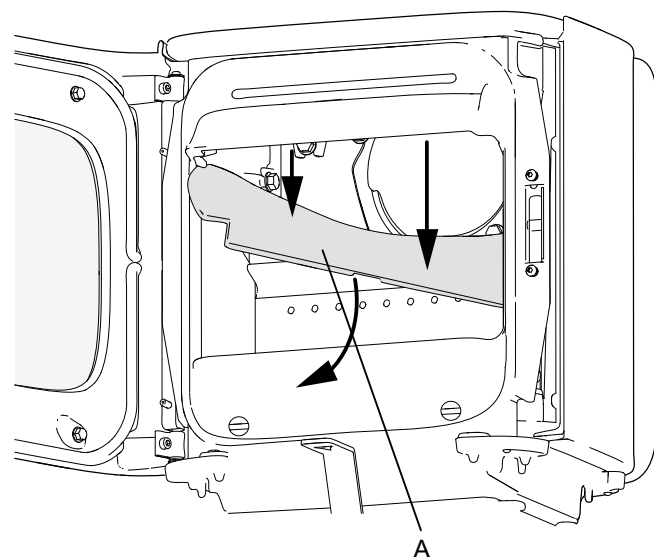
6. Haga lo mismo en la parte interior de la placa de convección.

Fig. 23



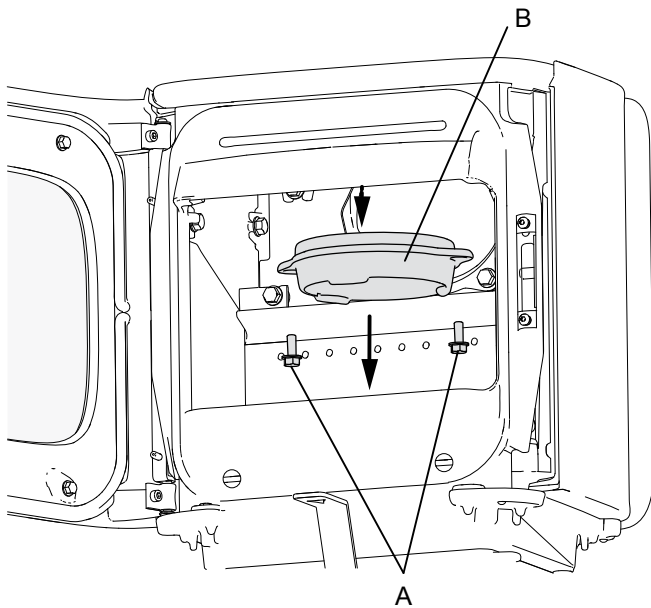
1. Quite la placa deflectora (A) levantándola por el borde posterior y gírela lo suficiente para poder extraerla de la cámara de combustión.

Fig. 24



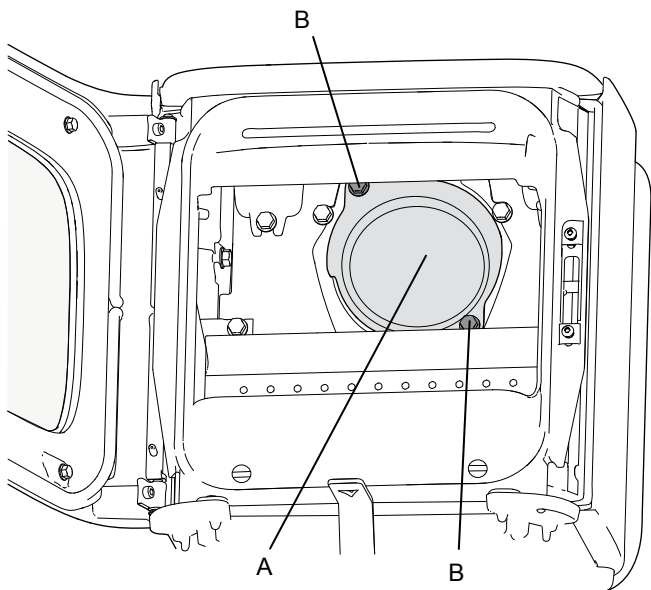
1. Coloque el producto en la posición correcta. Consulte la figura 1.
2. Quite el deflector de escape (A).

Fig. 25



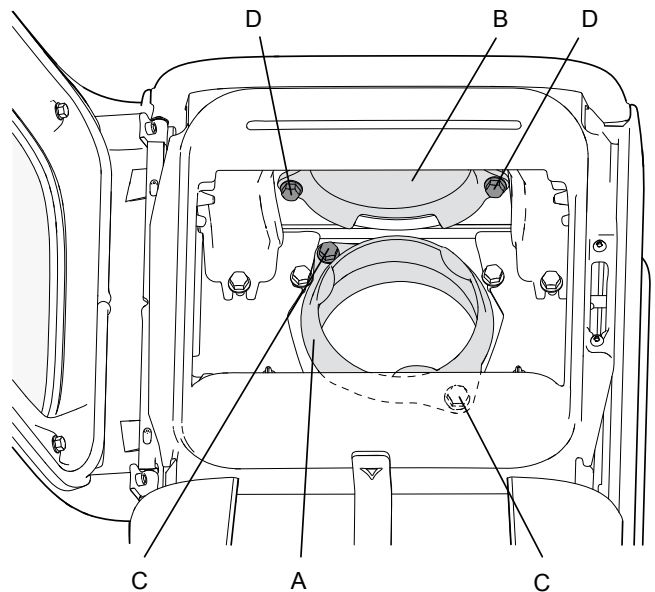
3. Quite los tornillos (A) y extraiga el conector para tubo de humos (B) de la parte superior.

Fig. 26



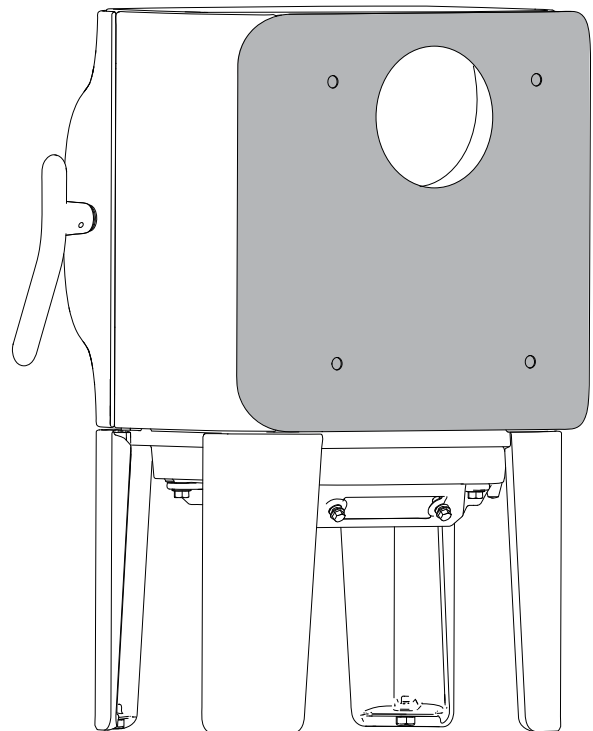
4. Quite los tornillos (B) y extraiga la tapa (A) de la salida posterior desde dentro de la cámara de combustión.

Fig. 27



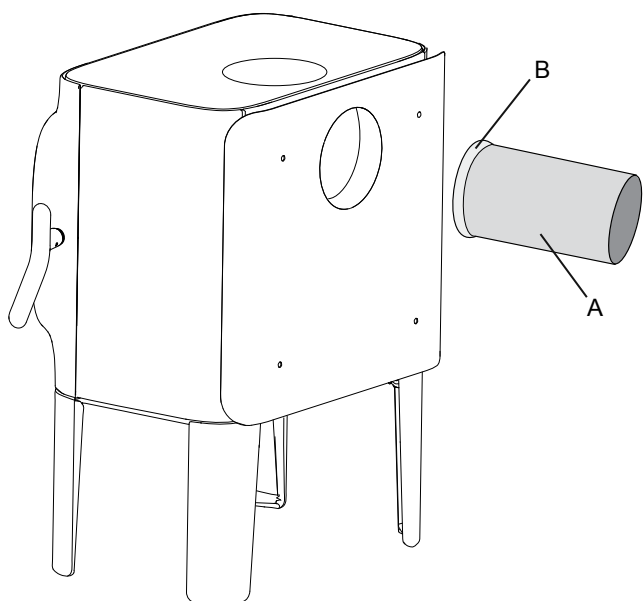
5. Sujete el conector para tubo de humos (A) a la salida posterior con los dos tornillos (C) desde dentro de la cámara de combustión.
6. Monte la tapa (B) en la salida superior con los dos tornillos (D) desde dentro de la cámara de combustión.
7. Vuelva a poner el deflector de escape.
8. Monte la placa deflectora.

Fig. 28



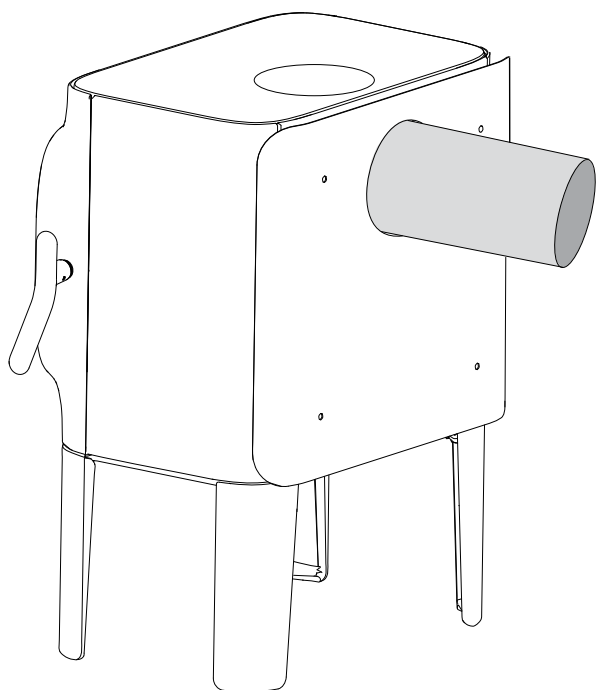
9. Vuelva a enganchar la placa de convección en la estufa y sujétela con los mismos cuatro tornillos.

Fig. 29



10. Ponga la junta (B) en el borde del tubo de humos (A).

Fig.30



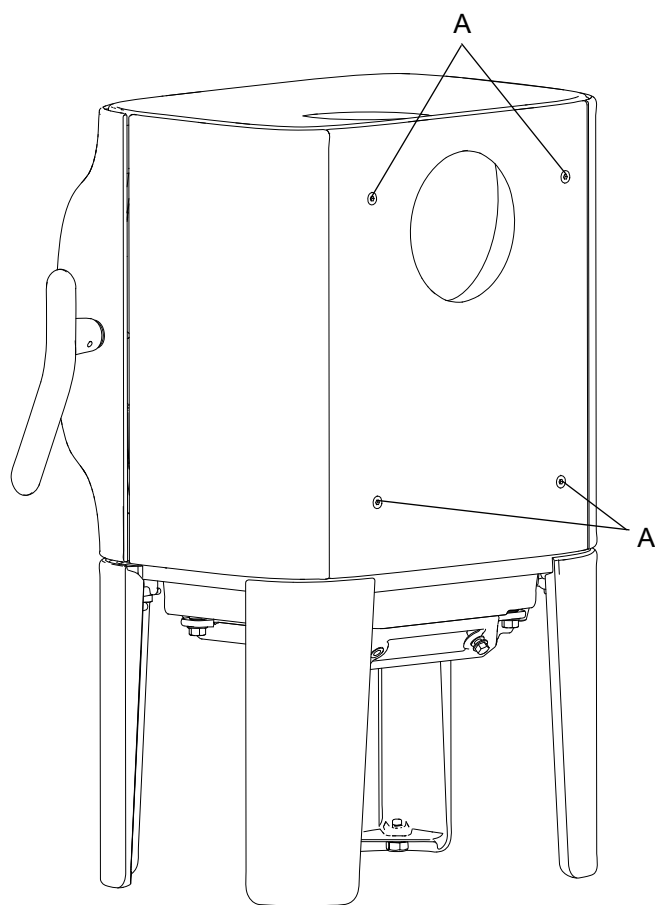
11. Inserte el tubo de humos en la salida posterior.

Nota: Es importante que la unión entre la salida y el tubo sea totalmente hermética. Las fugas de aire pueden impedir que el producto funcione adecuadamente.

Estufa sin placa de convección

Nota: Si no se monta placa de convección, la alineación del producto difiere (consulte la fig. 1).

Fig. 31

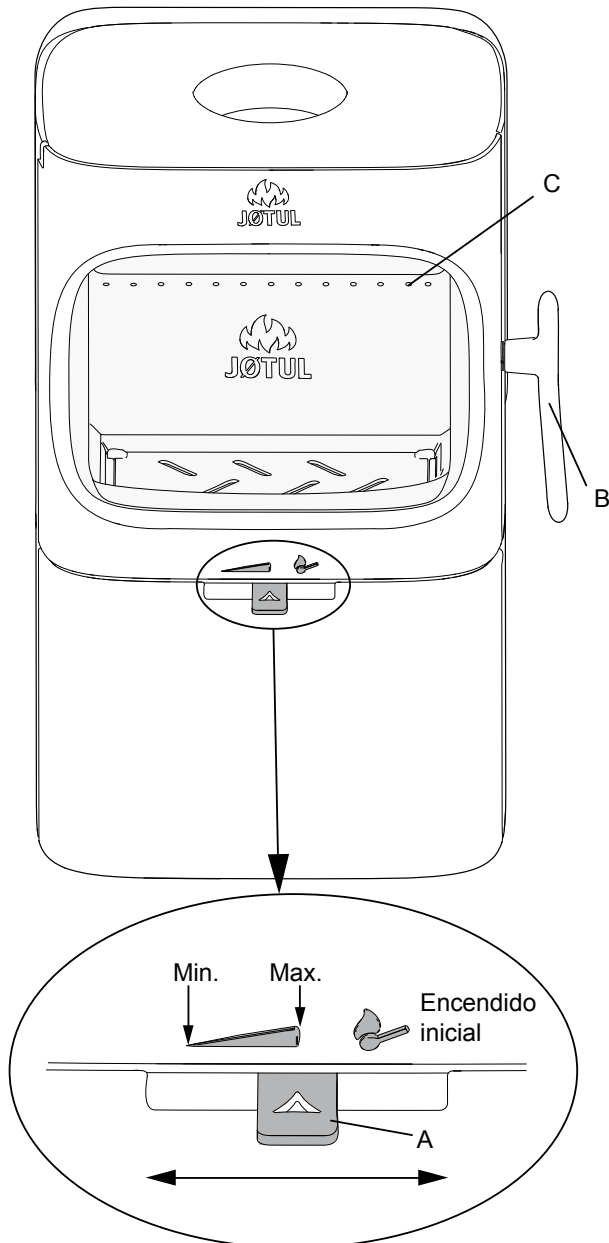


1. Si no va a montar la placa de convección en la cámara de combustión, vuelva a apretar los cuatro tornillos (A). Use la llave hexagonal que encontrará en la bolsa de tornillos.

4.6 Comprobación del rendimiento

Compruebe siempre los manillares de control después de ensamblar el producto. Deben moverse con facilidad y operar de modo satisfactorio.

Fig. 32



La Jøtul F 105 cuenta con los elementos de mando siguientes:

Entrada de aire secundario (A)

Posición izquierda: Mínima
 Posición central: Máxima
 Posición derecha: Encendido

Tirador (B)

Para abrir la puerta.

Altura de apilado (C) de leña (los agujeros no deben quedar tapados).

5.0 Uso diario

Olores al usar la estufa por primera vez

Cuando se usa la estufa por primera vez, puede emitir un gas irritante que huele ligeramente. Esto ocurre debido a que se seca la pintura. El gas no es tóxico, pero la habitación deberá ventilarse completamente. Deje que el fuego arda con mucha corriente hasta que haya desaparecido todo rastro del gas y no sea posible detectar humo ni olores.

Consejos de calentamiento

Nota: Los troncos que se hayan almacenado en el exterior o en una habitación fría deberán meterse al interior 24 horas antes de usarlos para que alcancen la temperatura ambiente. Hay varias formas de calentar la estufa, pero siempre es importante tener cuidado con lo que introduce en ella. Consulte la sección sobre “Calidad de la madera”.

¡Atención! Un suministro de aire inadecuado puede dar lugar a una combustión deficiente, altas emisiones y un menor nivel de eficiencia.

Calidad de la madera

Por madera de calidad nos referimos a los tipos más conocidos de madera, como abedul, picea y pino.

Los troncos deben secarse de forma que su contenido en humedad no supere el 20 %.

Para esto, los troncos deben cortarse a finales del invierno. Deben partirse y apilarse de forma que se garantice una buena ventilación. Las pilas de madera deben estar cubiertas para proteger los troncos de la lluvia. Los troncos deben ponerse a cubierto a principios del otoño y apilarse para utilizarlos en el próximo invierno.

Tenga cuidado especialmente de no usar nunca los siguientes materiales como combustible en su estufa:

- Basura doméstica, bolsas de plástico, etc.
- Madera pintada o impregnada (que es extremadamente tóxica).
- Planchas de madera laminada.
- Restos de madera

Pueden dañar el producto y también son contaminantes.

Nota: Nunca use gasolina, parafina, alcohol desnaturalizado o líquidos similares para encender el fuego. Puede sufrir lesiones graves y ocasionar serios daños al producto.

Astillas para encender (madera cortada fina):

Longitud: Max. 33 cm
 Diámetro: 2-4 cm
 Cantidad necesaria en cada ocasión: 6-8 trozos

Madera (leña):

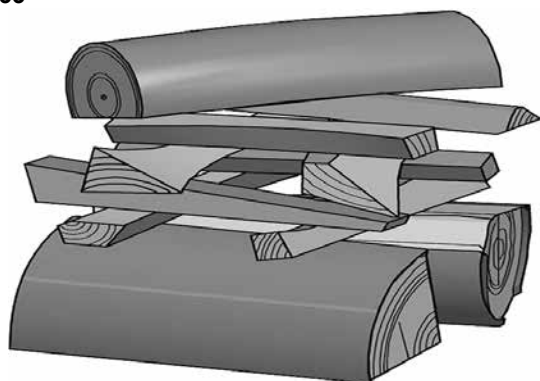
Longitud recomendada: 20 - 33 cm
 Diámetro: aprox. 8 cm
 Intervalo de adición de leña: aprox. cada 45 - 50 minutos
 Tamaño del fuego: 1,1 kg (potencia nominal)
 Consumo máx. de leña: 2,0 kg
 Cantidad necesaria en cada ocasión: x2

La potencia calorífica nominal se obtiene al abrir el respiradero cerca de un 30 % (fig. 32). La potencia calorífica máxima se obtiene al abrir el respiradero cerca de un 50 %.

Encendido inicial

- Abra el respiradero de aire y el respiradero de encendido tirando de los manillares (**fig. 32**) hasta el tope. (Use un guante o algo similar para protegerse la mano en caso de que los manillares estén calientes).

Fig. 33



- Coloque dos troncos en la parte inferior de la cámara de combustión y apile las astillas para encender en capas.
- Por último, ponga un tronco de tamaño medio en la parte superior de la pila.
- Ponga 2 ó 3 briquetas o astillas para encender debajo de la capa superior de astillas y encienda el fuego. **Nota:** La altura máxima de la pila de madera debe estar justo debajo de los orificios horizontales. No deben cubrirse los orificios.
- Entonces podrá regular el régimen de combustión para obtener el calor que desee ajustando el respiradero (**fig. 32**).
- Compruebe que se inicia la postcombustión (combustión secundaria). Se indica mediante llamas amarillas que bailan delante de los agujeros debajo de la placa deflectora.
- Si el caudal de aire es normal, podrá cerrar la puerta y el fuego se mantendrá por sí mismo.

Añadir madera

Avive la estufa con frecuencia pero añada solo una pequeña cantidad de leña en cada ocasión. Si la estufa está demasiado llena, el calor generado podría causar una elevada tensión en la chimenea. Añada combustible al fuego con moderación. Evite el fuego sin llama, pues es el que produce más contaminación. El fuego irá mejor cuando arda bien y el fuego que salga por la chimenea sea casi invisible. El mejor fuego se consigue cuando la leña arde bien y el humo que sale por la chimenea casi no se ve. **Nota: Es importante mantener la puerta de la estufa cerrada mientras está encendida.**

5.1 Peligro de sobrecalentamiento

La estufa no debe usarse nunca de manera que se sobrecaliente

Se produce sobrecalentamiento cuando hay demasiado combustible y/o demasiado aire y se produce demasiado calor. Un signo seguro de sobrecalentamiento es cuando partes de la estufa se ponen al rojo. Si sucede esto, reduzca de inmediato la abertura del respiradero.

Solicite la ayuda de un profesional si sospecha que la corriente de la chimenea no es correcta (demasiada corriente o demasiado poca). Para más información, consulte «**4.0 Instalación**» (chimenea y tubo de tiro).

5.2 Retirada de cenizas

La Jøtul F 105 tiene una bandeja de cenizas que permite retirar las cenizas con facilidad.

- Saque las cenizas solo con la estufa fría.
- Empuje las cenizas a través de la rejilla en la parte inferior para que caigan en la bandeja de cenizas. Use un guante o algo similar para protegerse la mano. Sujete el manillar de la bandeja de cenizas y extraiga la bandeja. Compruebe que la bandeja de cenizas no se llene nunca tanto que impida que las cenizas caigan a través de la rejilla.
- Compruebe que la bandeja de cenizas entre por completo antes de cerrar la puerta.

6.0 Mantenimiento

6.1 Limpieza del cristal

El producto está equipado con un sistema de inyección de aire para el cristal. El aire se introduce a través del respiradero de la parte superior del producto y se desplaza hacia abajo a lo largo de la cara interior del cristal.

Aunque siempre se adhiere algo de hollín al cristal, la cantidad dependerá de las condiciones de tiro locales y del ajuste del respiradero de ventilación. La mayor parte de la capa de hollín se suele quemar cuando se abre completamente el respiradero de ventilación y arde un fuego vivo en la estufa.

Un buen consejo! Para la limpieza normal humedezca una toalla de papel en agua caliente y añádale cenizas de la cámara de combustión. Frote el cristal con la toalla de papel y, a continuación, enjuáguelo con agua limpia. Séquelo bien. Si es necesario limpiar el cristal más a fondo, recomendamos el empleo de un limpiacristales (*siga las instrucciones de uso del envase*).

6.2 Limpieza y retirada del hollín

Pueden acumularse depósitos de hollín en las superficies internas de la estufa durante el uso. El hollín es un buen aislante y, por lo tanto, reducirá la potencia calorífica de la estufa. Si se acumulan depósitos de hollín mientras usa el producto, puede eliminarlos fácilmente mediante un limpiador de hollín.

Para evitar que se forme una capa de agua y alquitrán en la estufa, debe dejar que el fuego arda con intensidad regularmente para eliminar la capa. Es necesario realizar una limpieza interna anual para obtener el mejor rendimiento térmico del producto. Es buena idea hacerlo al limpiar la chimenea y los tubos de tiro.

6.3 Deshollinar los tubos de tiro en la chimenea

Los tubos de tiro deben deshollinarse a través de la trampilla del tubo de tiro o a través de la abertura de la puerta. Será necesario desmontar primero una de las placas deflectoras para poder hacerlo.

6.4 Inspección de la estufa

Jøtul le recomienda que inspeccione detenidamente la estufa después de limpiarla/deshollinarla. Revise todas las superficies visibles en busca de grietas. Compruebe también que estén selladas todas las uniones y que todas las juntas estén en la posición correcta. Será necesario sustituir cualquier junta que presente signos de desgaste o deformación.

Limpie cuidadosamente las ranuras de la junta, aplique adhesivo cerámico (disponible en su distribuidor de Jøtul más cercano) y coloque la junta en su sitio apretando bien. La unión se secará con rapidez.

6.5 Mantenimiento exterior

Los productos pintados pueden cambiar de color tras varios años de uso. Deberá limpiarse y cepillarse la superficie para retirar cualquier partícula suelta antes de aplicar pintura nueva.

Los productos esmaltados deben limpiarse únicamente con un paño limpio y seco. No utilice agua y jabón. Las manchas pueden eliminarse con un líquido de limpieza (*un producto para limpiar hornos, etc.*).

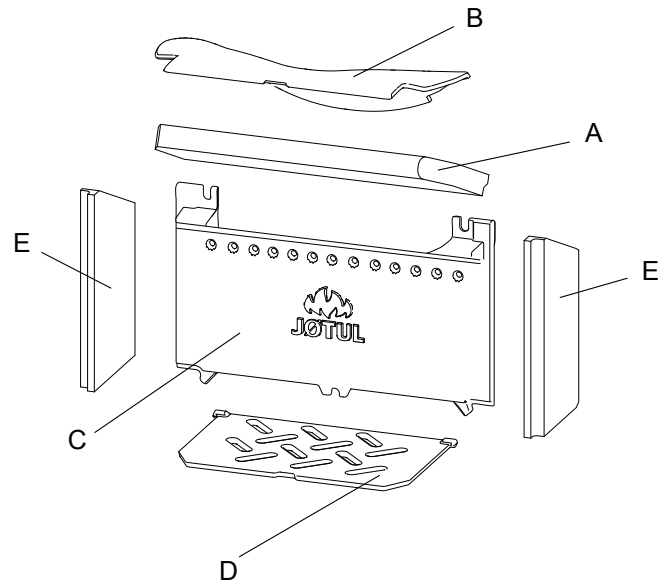
7.0 Servicio

¡Advertencia! Es ilegal cualquier modificación no autorizada del producto. Solo podrán usarse piezas de repuesto originales.

7.1 Mantenimiento/sustitución de piezas de la cámara de combustión

Nota: Use las herramientas con mucho cuidado. Las placas de vermiculita podrían dañarse si se tratan sin cuidado.

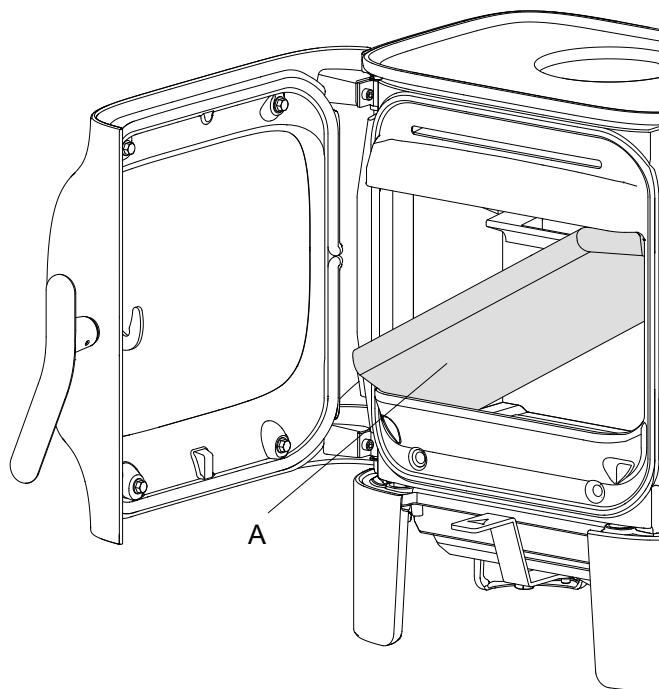
Fig. 34



2. **Placa deflectora:** Empuje el borde delantero de la placa deflectora (A) hacia arriba y hacia abajo y gírela lo suficiente para poder extraerla de la cámara de combustión.
3. **Deflector de escape:** Empuje el borde delantero del deflector de escape (B) hacia arriba y hacia abajo y gírela lo suficiente para poder extraerlo de la cámara de combustión.
4. Levante la rejilla (D) sujetándola por la ranura central de la parte delantera y saque la bandeja recogecenizas de la cámara de combustión.
5. Quite los tres tornillos que sujetan la placa de combustión. Levante la placa por uno de los lados y gírela lo suficiente para poder extraerla de la cámara de combustión.

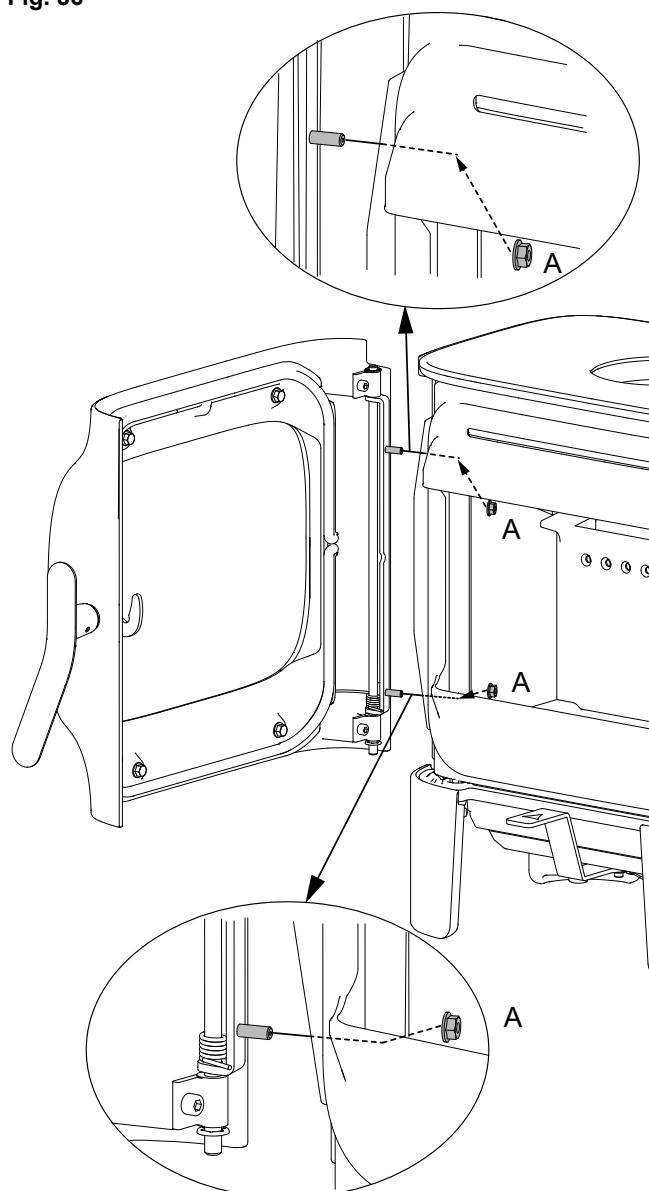
7.2 Cambio del cristal y las juntas de la puerta

Fig. 35



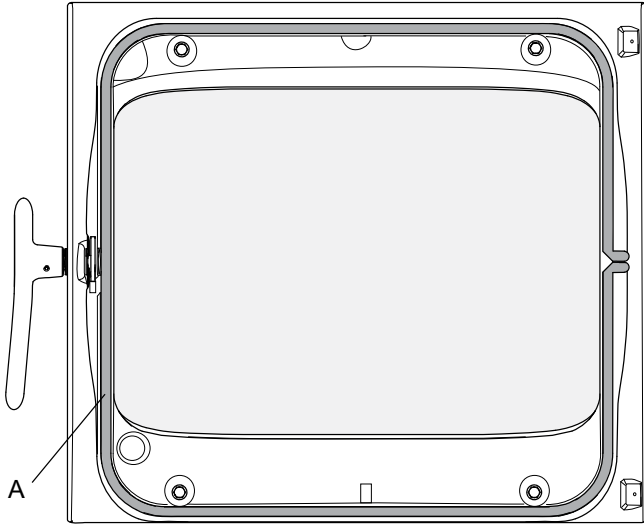
1. Quite la placa deflectora **(A)** levantándola por el borde posterior y gírela lo suficiente para poder extraerla de la cámara de combustión

Fig. 36



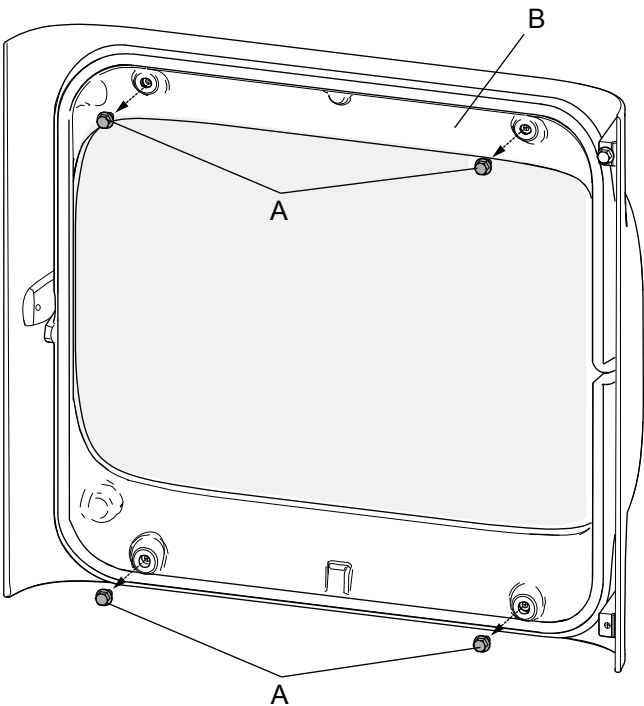
1. Quite las tuercas **(A)** y desenganche la puerta. Con cuidado, colóquela tumbada sobre la caja de cartón.

Fig. 37



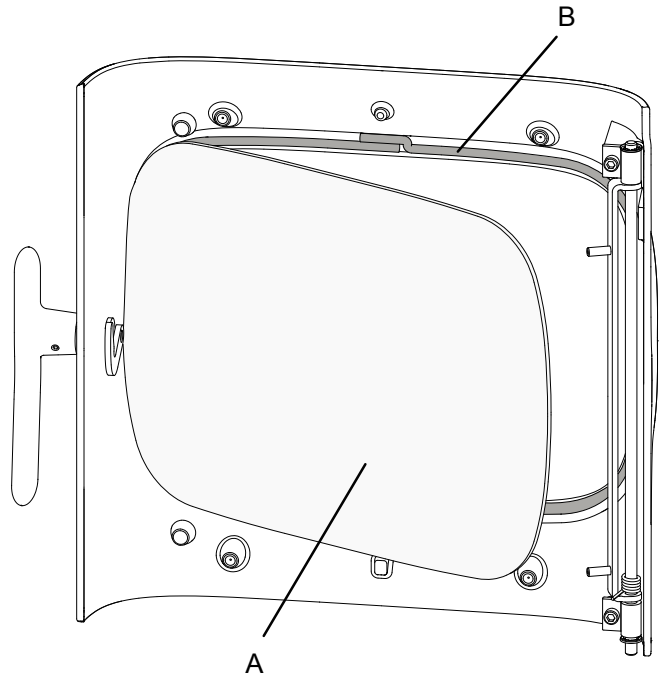
1. Quite la junta (A) del borde interior de la puerta, limpie la ranura y pegue una junta nueva.

Fig. 38



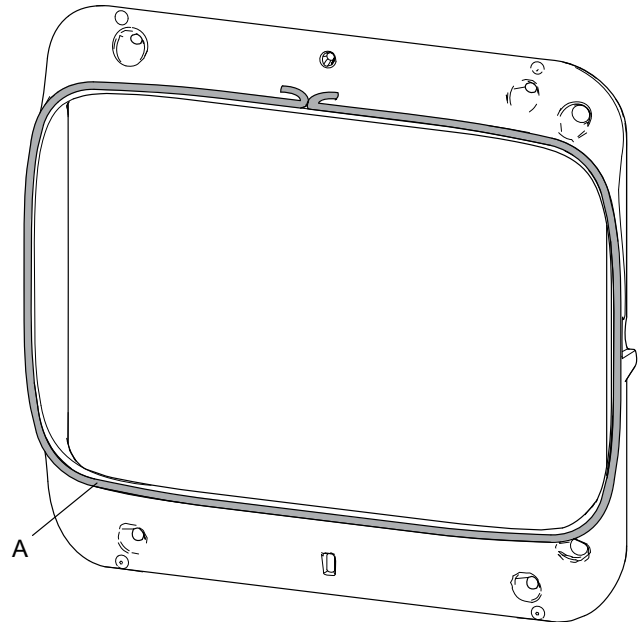
2. Si tiene que cambiar la junta del cristal o el propio cristal, desmonte primero el tirador de la puerta.
3. Quite el soporte del cristal (B) extrayendo los 4 tornillos que lo sujetan (A). **Nota: El cristal de la puerta va suelto. Tenga cuidado de que no se le caiga al quitar el soporte.**

Fig. 39



4. Quite con cuidado el cristal (A). Quite las juntas (B) y limpie las ranuras.
5. Pegue juntas nuevas.

Fig. 40



6. Quite la junta vieja (A) y limpie la ranura. Pegue una junta nueva.
7. Cuando haya cambiado las juntas dañadas, vuelva a montar todas las piezas.

8.0 Accesorios opcionales

8.1 Conexión de aire exterior

Conexión de aire exterior, Ø 80 mm - N.º cat. 51047509

8.2 Placa superior de esteatita

Nº de catálogo 51049066

8.3 Bandeja recogeceniza para patas

BP - Nº de catálogo 51049065
WHE - Nº de catálogo 51049516

8.5 Asa de bandeja recogecenizas

BP - Nº de catálogo 51049070
WHE - Nº de catálogo 12048672

9.0 Reciclaje

9.1 Reciclaje del embalaje

- Su estufa se entrega con el siguiente embalaje:
- Un palé de madera que puede cortarse y quemarse en la estufa.
- Embalaje de cartón que debe llevarse a un punto de reciclaje local.
- Bolsas de plástico que deben llevarse a un punto de reciclaje local.

9.2 Reciclaje de la estufa

La estufa se compone de:

- Metal que debe llevarse a un punto de reciclaje local.
- Cristal que debe desecharse como un residuo peligroso. El cristal de la estufa no debe depositarse en un contenedor de separación convencional.
- Placas de combustión de vermiculita que pueden desecharse en contenedores de desechos convencionales.

10.0 Términos de la Garantía

Desde 1853 Jøtul goza de reconocido prestigio como fabricante de estufas y hogares de alta calidad y prolongada vida útil. Estamos tan seguros de nuestra calidad que ofrecemos a nuestros clientes una ampliación de la garantía sin ningún tipo de coste adicional. Además le felicitamos por su elección de una estufa Jøtul.

1. Nuestra garantía cubre:

Jøtul AS garantiza que las partes exteriores de hierro fundido están libres de defecto en materiales o fabricación en el momento de la compra. Usted puede extender esta garantía sobre las piezas exteriores de fundición hasta diez años desde la fecha de entrega del producto registrándolo en jotul.com, e imprimiendo la tarjeta de ampliación de la garantía en un plazo de tres meses a contar desde la fecha de compra. Recomendamos conservar la tarjeta de garantía junto con el justificante de compra. Jøtul AS también garantiza que las piezas de acero están libres de defectos de material o fabricación en el momento de la compra y durante un período de 5 años a partir de la fecha de entrega.

La garantía solamente tendrá validez si la instalación de la estufa se encarga a un instalador cualificado y se realiza con arreglo a la normativa en vigor y siguiendo las instrucciones de instalación y funcionamiento de Jøtul. Los productos reparados y las piezas sustituidas estarán garantizados durante el tiempo que quede de la garantía original.

2. La garantía no cubre:

- 2.1. Los daños en las piezas de desgaste, como placas de combustión, rejillas, deflectores de humos, juntas y similares, puesto que se deterioran con el tiempo debido al uso normal.
- 2.2. Los daños derivados de un mantenimiento inadecuado, sobrecalentamiento o uso de combustibles inadecuados (ejemplos de combustible inadecuado son entre otros: restos de madera extraídos del mar, adera impregnada, recortes de tablas, aglomerado, etc.) o de leña demasiado húmeda
- 2.3. La instalación de accesorios opcionales que rectifiquen el tiro, el suministro de aire u otras circunstancias fuera del control de Jøtul.
- 2.4. Casos derivados de alteraciones o modificaciones de la estufa efectuadas sin el consentimiento de Jøtul, o el uso de piezas no originales.
- 2.5. Daños producidos en el almacén de un distribuidor, en el transporte posterior o durante la instalación
- 2.6. Productos vendidos por distribuidores no autorizados en zonas donde Jøtul opera según distribución selectiva
- 2.7. Costes asociados (por ejemplo, pero no solo, transporte, mano de obra, gastos de viaje) o daños indirectos

Las estufas de pellets, cristal, piedra, hormigón, acabados de pintura y esmalte (por ejemplo, pero no solo golpes, grietas, burbujas, decoloramiento, etc) están sujetos a la legislación nacional de consumo aplicable. Esta garantía es válida para compras realizadas dentro del territorio del Espacio Económico Europeo. Todas las reclamaciones de garantía se tramitarán a través de su distribuidor autorizado Jøtul local en un plazo razonable de tiempo que no excederá de 14 días respecto a la fecha en la que se detecte la falta o defecto por primera vez. Consulte la lista de importadores y distribuidores en nuestra página web www.jotul.com

Jøtul se reserva el derecho a rechazar cualquier reposición de piezas si la garantía no se ha registrado online. Esta extensión de garantía únicamente añade coberturas, y no disminuye en medida alguna los derechos del consumidor y las garantías establecidas por la ley. Los derechos de garantía nacional empezarán a contar desde la fecha de compra y solamente podrán ejercerse previa presentación del justificante de compra/número de serie..

ITALIANO

Indice generale

1.0	Dati tecnici.....	68
1.0	Conformità alle normative	68
3.0	Sicurezza	69
4.0	Installazione	74
5.0	Utilizzo giornaliero.....	83
6.0	Manutenzione.....	84
7.0	Assistenza.....	85
8.0	Accessori opzionali	88
9.0	Riciclaggio.....	88
10.0	Garanzia.....	88

1.0 Conformità alle normative

- L'installazione di un caminetto deve essere eseguita in conformità alle leggi e alle normative locali di ogni paese. L'installazione del prodotto deve essere conforme a tutte le norme locali, incluse quelle che fanno riferimento agli standard nazionali ed europei.
- L'installazione può essere effettuata solo dopo un'accurata ispezione da parte di un ispettore qualificato.
- Contattare le autorità edili locali prima di installare un nuovo caminetto.

2.0 Dati tecnici

Materiale:	Ghisa
Finitura:	Vernice / smalto
Scarico fumi:	Superiore, posteriore
Dimensioni condotto:	Ø 125 mm
Condotto per l'aria esterna:	Ø 80

Peso del prodotto:

Camera con montanti lunghi:	97 kg
Camera con montanti corti:	94 kg
Camera con base :	107 kg
Coperchio in pietra ollare :	14,5 kg
Accessori opzionali	Ceneraio, Kiiit coperchio in pietra ollare, condotto per l'aria esterna, ceneraio per montanti, maniglia del ceneraio

Dimensioni prodotto, distanze: Vedere la **fig. 1**

Dati tecnici conformi alla norma EN 13240

Potenza termica nominale:	4,5 kW
Volume dei fumi:	4,2g/s
Tiraggio della canna fumaria, EN 13240:	12 Pa
Pressione negativa raccomandata nello scarico fumi:	14-16 Pa
Efficienza:	83% a 5,2 kW
Emissioni di CO (13% O ₂):	0,09%
Emissioni di CO (13% O ₂):	1101 mg/Nm ³
NOx a 13% O ₂ :	99 mg/Nm ³
Idrocarburi a 13 % O ₂ :	76 mg/Nm ³
Emissioni di particelle NS 3059:	2,7 g / kg
Temperatura della canna fumaria, EN 13240:	231 °C
Temperatura nello scarico fumi:	277 °C
Polvere:	<7 mg/Nm ³ a 13%O ₂
Consumo dell'aria:	3,2 litro/sec o 12,2 m ³ /h

Tipo di combustibile:	Legna
Lunghezza massima ceppi:	33 cm
Consumo di combustibile:	1,51 kg/h
Quantità max di fascine:	2,0 kg
Quantità nominale di fascine:	1,1 kg
Funzionamento:	Intermittente

Per "combustione intermittente" si intende il normale utilizzo di un caminetto, ovvero l'aggiunta di combustibile non appena si sono formate le braci.

Su tutti i nostri prodotti è applicata un'etichetta che indica il numero di serie e l'anno. Annotare questo numero dove indicato nelle istruzioni di installazione.

Citare sempre questo numero di serie quando ci si rivolge al rivenditore o a Jøtul.

Serial no.

Product: Jøtul Room heater fired by solid fuel				CE	
Standard Minimum distance to adjacent combustible materials: Minimum distance to adjacent non-combustible materials: Emission of CO in combustion products: Flue gas temperature Nominal heat output: Efficiency Operation range: Fuel type Operational type The appliance can be used in a shared flue.					
Country	Classification	Certificator/standard	Approved by		
Norway	klasse II				
Sweden	ccc	SP	SP Sveriges Provnings- och Forskningsinstitut AB		
EUR	intermittent	EN	EN Swedish National Testing and Research Institute		
Follow user's instructions. Use only recommended fuels. Montage- und Bedienungsanleitung beachten. Verwenden Sie nur empfohlenen Brennstoffen. Respectez les consignes d'utilisation. Utilisez uniquement les combustibles recommandés.					
Serial no. Y-xxxx, Year: 200x					
Manufacture: Jøtul AS POB 3441 N-1602 Fredrikstad Norway					

3.0 Sicurezza

Nota: per garantire prestazioni e sicurezza ottimali, le stufe Jøtul devono essere montate da un installatore qualificato (vedere www.jotul.com per un elenco completo di rivenditori).

Qualunque modifica al prodotto da parte del distributore, installatore o consumatore può comportare un funzionamento imprevisto del prodotto e delle funzionalità di sicurezza. Lo stesso si applica all'installazione di accessori o di extra opzionali non forniti da Jøtul. Ciò può riguardare anche componenti essenziali per il funzionamento e la sicurezza del caminetto eventualmente smontati o rimossi.

In tutti i casi citati, il produttore non potrà essere ritenuto responsabile o punibile per il prodotto, rendendo nullo e non valido ogni reclamo.

NOTA: Parti della stufa, in particolare le superfici esterne, si surriscaldano durante la combustione! Prestare cautela!

3.1 Misure di prevenzione antincendio

Ogni utilizzo del caminetto ha in sé un certo elemento di pericolo. Pertanto, è necessario seguire attentamente le seguenti istruzioni:

- Le distanze minime di sicurezza in caso di utilizzo del caminetto sono fornite nella **fig. 1**.
- Assicurarsi che gli arredi e altri materiali infiammabili non siano troppo vicini al caminetto. I materiali infiammabili non devono mai essere posizionati entro 900 mm dal caminetto.
- Attendere l'estinzione del fuoco. Non spegnere mai le fiamme con acqua.
- Il caminetto acceso diventa caldo e può causare bruciate se toccato.
- Rimuovere la cenere solo con il caminetto freddo. La cenere può contenere braci calde, pertanto deve essere collocata in un contenitore ignifugo.
- La cenere deve essere collocata all'esterno o svuotata in un luogo in cui non rappresenterà un pericolo potenziale di incendio.

In caso di incendio della canna fumaria

- Chiudere tutte le aperture e le prese d'aria.
- Tenere chiusa la porta del camino.
- Verificare la presenza di fumo in cantina e in soffitta.
- Chiamare i vigili del fuoco.
- Prima di utilizzare di nuovo il camino e la canna fumaria dopo un incendio, è necessario che vengano controllati da un tecnico specializzato che ne assicuri l'integrità e il corretto funzionamento.

Canna fumaria in acciaio

Se viene utilizzata una canna fumaria in acciaio con montaggio superiore, installare un tubo non isolato dalla camera di combustione a circa 10 mm sopra la grata superiore. Assicurarsi che la guarnizione sia inserita correttamente, tra il condotto e lo scarico fumi. Fissare quindi la canna fumaria in acciaio seguendo le relative istruzioni del fornitore.

3.2 Pavimento

Basamento

È importante accertarsi che il basamento sia adatto a un caminetto. Consultare il capitolo "**2.0 Dati tecnici**" per le specifiche sul peso.

Si raccomanda la rimozione dall'area di installazione di ogni eventuale rivestimento non fissato al pavimento ("rivestimenti mobili").

Jøtul F 105 SL (con montanti corti)

Jøtul F 105 SL può essere installato solo su pavimenti in cui sia la superficie, sia la struttura in sé siano realizzate in materiale ignifugo. Ciò si applica anche se il prodotto poggia su una piastra di protezione.

NOTA: L'area ignifuga deve sporgere di almeno 500 mm davanti alla stufa.

Nota: Si consiglia di non installare il riscaldamento a pavimento (ad acqua o elettrico) in questa zona.

Requisiti per la protezione del pavimento in legno sotto il caminetto

La funzione di una piastra di protezione è quella di proteggere il pavimento e i materiali non ignifughi dalle braci.

Il prodotto con le gambe deve avere una pedana in acciaio: se le norme locali lo richiedono.

Nota! Lo spazio sotto la Jøtul F 105 con le gambe non deve essere utilizzato per mettere la legna.

Rimuovere da sotto il prodotto ogni eventuale rivestimento infiammabile per la pavimentazione, come linoleum, moquette, ecc.

Requisiti per la protezione dei pavimenti infiammabili davanti al caminetto

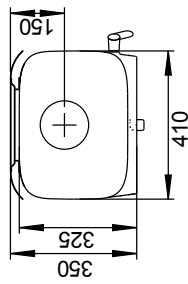
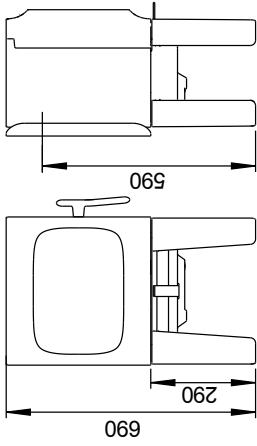
La piastra anteriore deve risultare conforme alle leggi e alle normative nazionali.

Contattare le autorità edili locali in relazione alle disposizioni e ai requisiti di installazione.

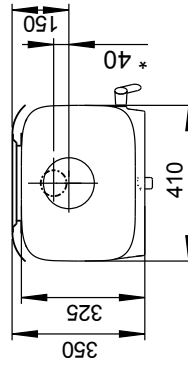
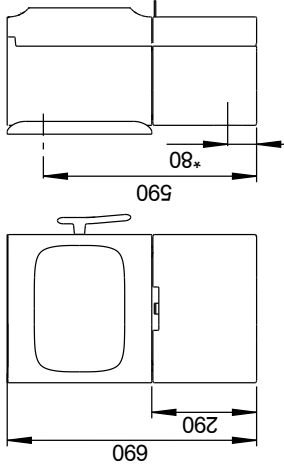
Jøtul F 105

Fig. 1 a

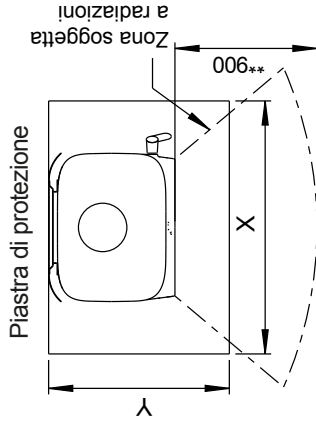
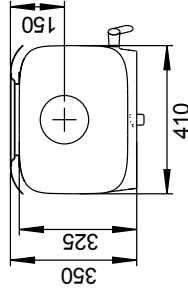
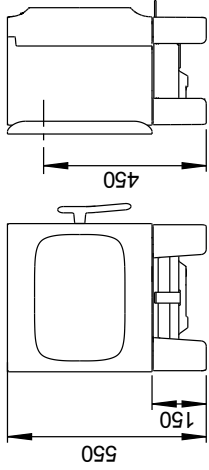
Jøtul F 105 con montanti lunghi



Jøtul F 105 con base

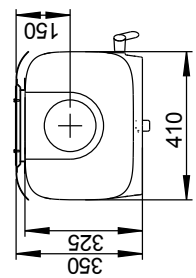
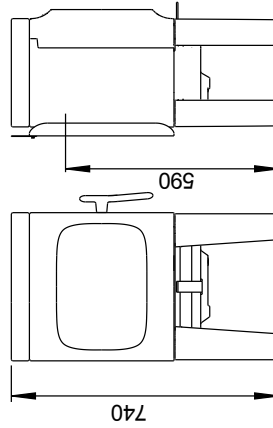


Jøtul F 105 con montanti brevi

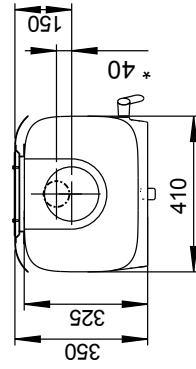
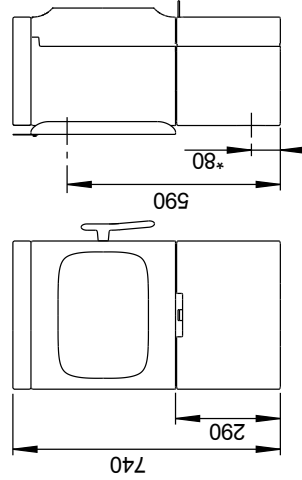


Dimensioni minime per la piastra di protezione del pavimento
 X/Y = In conformità alle leggi e alle normative nazionali.
 ** Distanza dalla parete combustibile

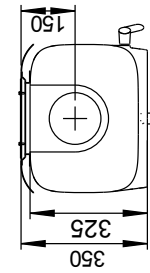
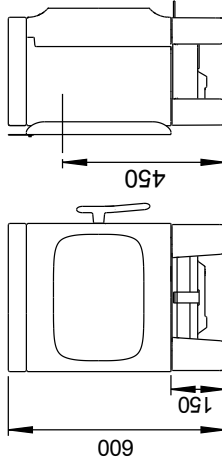
Jøtul F 105 con montanti lunghi e coperchio in pietra ollare



Jøtul F 105 con base e coperchio in pietra ollare



Jøtul F 105 con montanti brevi e coperchio in pietra ollare



Jøtul F 105 SL (con montanti corti) può essere installato solo su pavimenti in cui sia la superficie, sia la struttura in sé siano realizzate in materiale ignifugo. Ciò si applica anche se il prodotto poggia su una piastra di protezione.

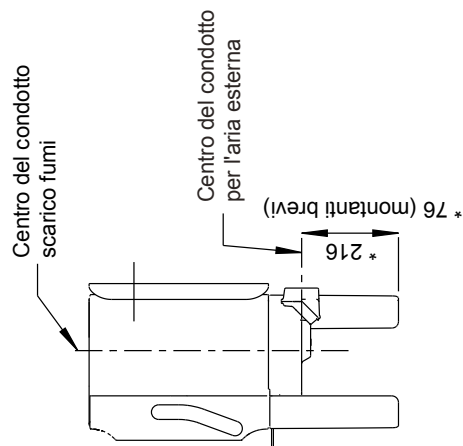
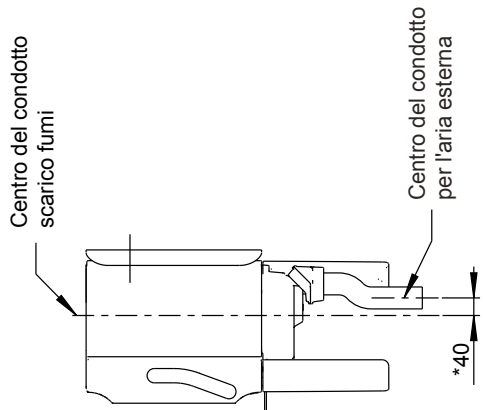
Nota: L'area ignifuga deve sporgere di almeno 500 mm davanti alla stufa.

Nota: Si consiglia di non installare il riscaldamento a pavimento (ad acqua o elettrico) in questa zona.

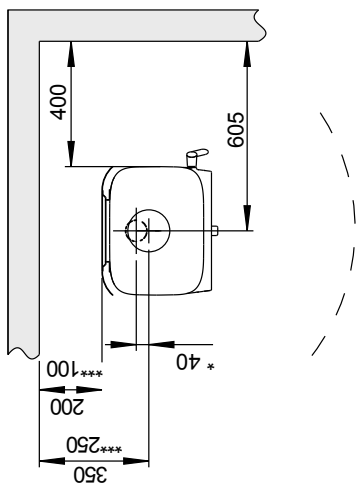
* Condotto per l'aria esterna

Distanza minima dalla parete combustibile

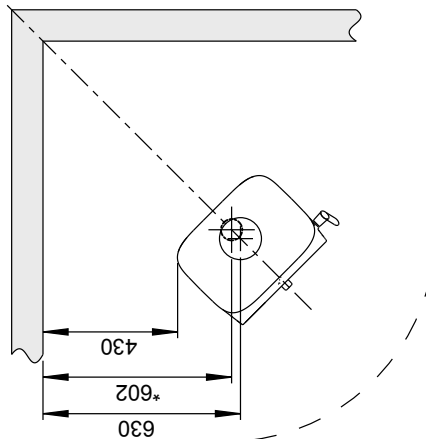
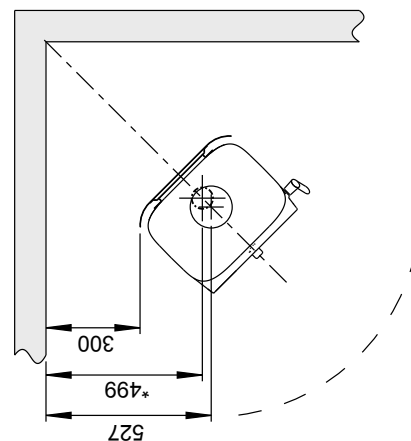
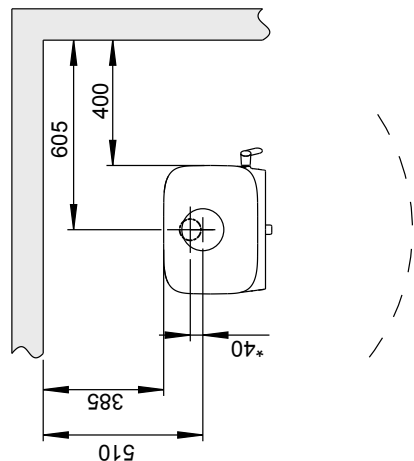
Parete combustibile



Con piastra di convezione standard



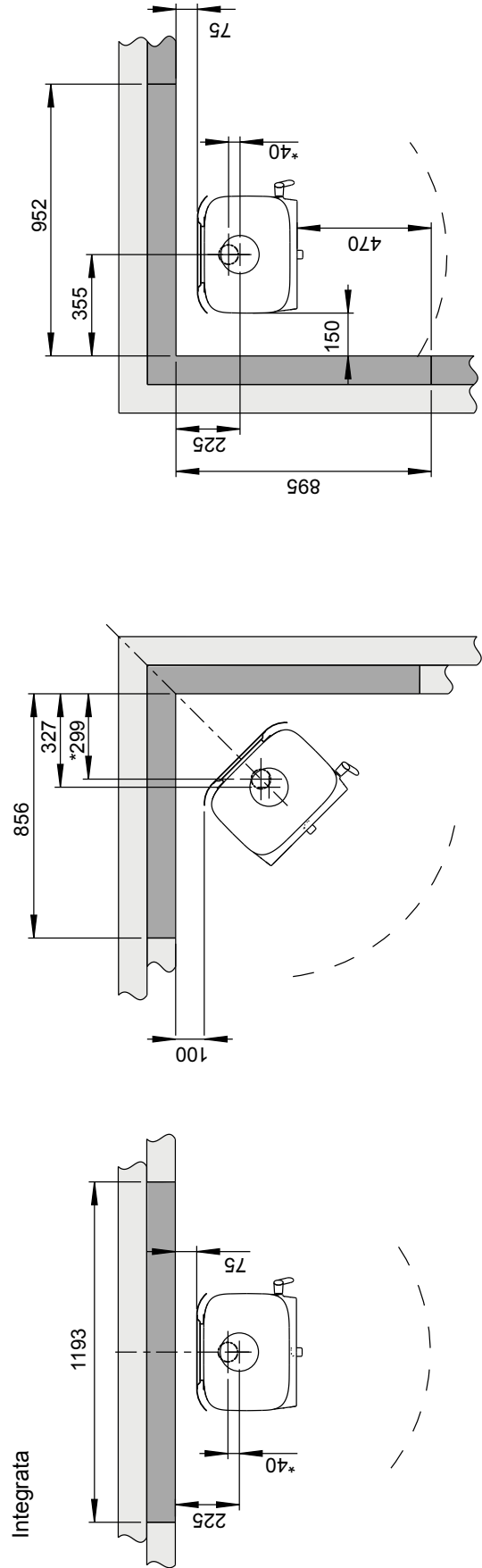
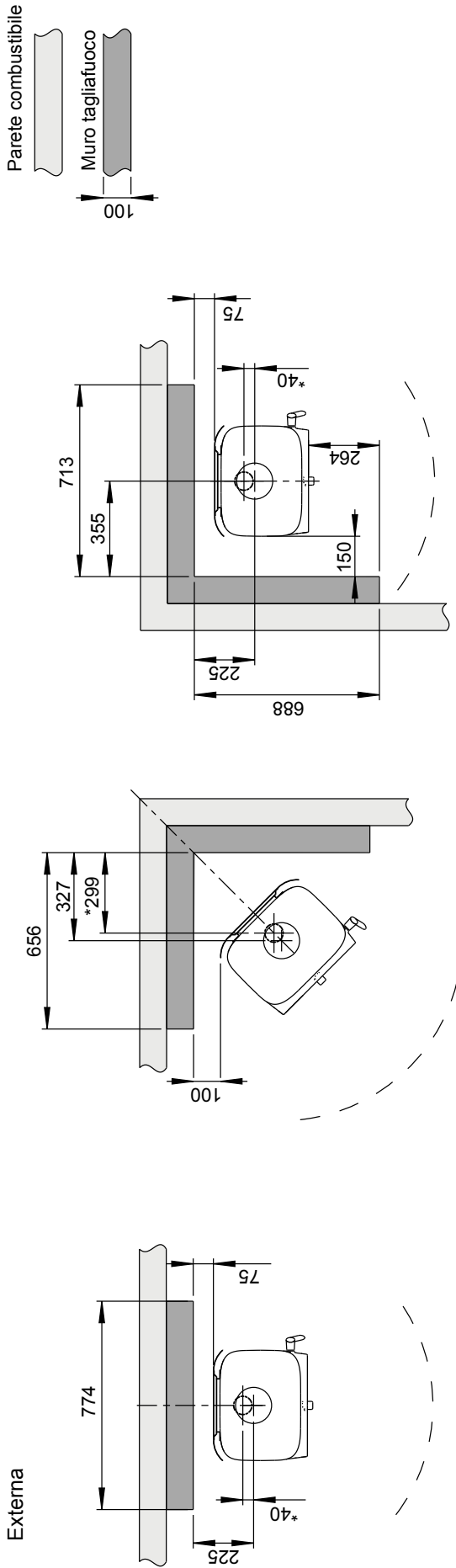
Senza piastra di convezione standard



* Condotto per l'aria esterna

*** Distanza da una parete in materiale infiammabile con condotto scarico fumi parzialmente isolato/rivestito (min. 30 mm isolato)

Fig. 1 c Distanza minima dalla parete combustibile protetta da un muro tagliafuoco



* Condotto per l'aria esterna

3.3 Pareti

Distanza da pareti composte da materiali combustibili : vedere la **fig. 1b**.

Distanza minima dalla parete combustibile protetta da un muro tagliafuoco: vedere la **fig. 1c**.

Distanze alternative con condotti di scarico fumi rivestiti o isolati sono visualizzate anche nella **fig. 1b**.

NOTA: Posizionare il prodotto in modo tale che sia possibile pulire la stufa, il condotto di scarico fumi e il passaggio della canna fumaria.

NOTA: Assicurarsi che mobili e altri articoli di arredamento non siano tanto vicini da essere seccati dalla stufa.

Il caminetto può essere utilizzato con un condotto non isolato, sempre che le distanze tra il caminetto e le pareti in materiali combustibili rispettino i valori indicati nella **fig. 1b**.

Circolazione dell'aria fresca

L'aria utilizzata per la combustione in qualsiasi abitazione ben isolata deve essere sostituita. Ciò è particolarmente importante nelle abitazioni con ventilazione meccanica. È possibile procurare tale aria sostitutiva in vari modi. L'aspetto più importante è fornire l'aria nell'ambiente in cui è situata la stufa. Posizionare la valvola della parete esterna più vicino possibile alla stufa e assicurarsi che possa essere chiusa quando la stufa non è in uso.

Per il collegamento della circolazione dell'aria fresca, attenersi ai regolamenti edilizi nazionali e locali.

Sistema di combustione chiuso

Utilizzare il sistema di combustione chiuso della stufa se l'abitazione è a tenuta d'aria e di recente costruzione. Collegare l'aria di combustione esterna attraverso un condotto di ventilazione attraverso la parete o il pavimento

Circolazione dell'aria

Il quantitativo di aria di combustione per i prodotti Jøtul è di circa 20-40 m³/h.

Il condotto per l'aria esterna può essere inserito direttamente in Jøtul F 105 attraverso:

- il fondo
- attraverso un tubo flessibile di circolazione dell'aria dall'esterno/dalla canna fumaria (solo se la canna fumaria presenta un proprio condotto per l'aria esterna) diretto al connettore dell'aria esterna del prodotto.

Fig. 2A, attraverso una parete esterna

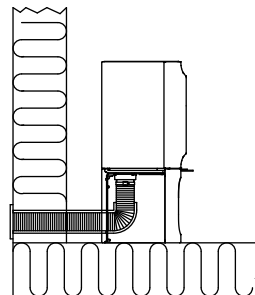


Fig. 2B, attraverso il pavimento e la piastra di terra

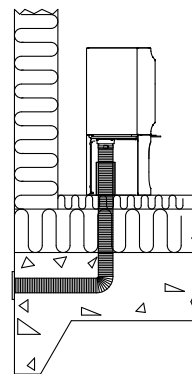


Fig. 2C, attraverso il pavimento e il basamento

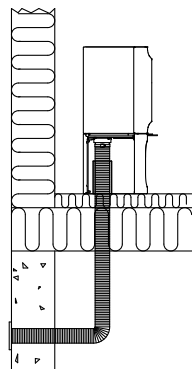
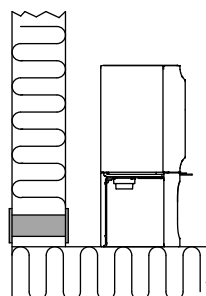


Fig. 2D, indirettamente attraverso una parete esterna



4.0 Installazione

Nota: prima di iniziare l'installazione, assicurarsi che il caminetto non sia danneggiato.

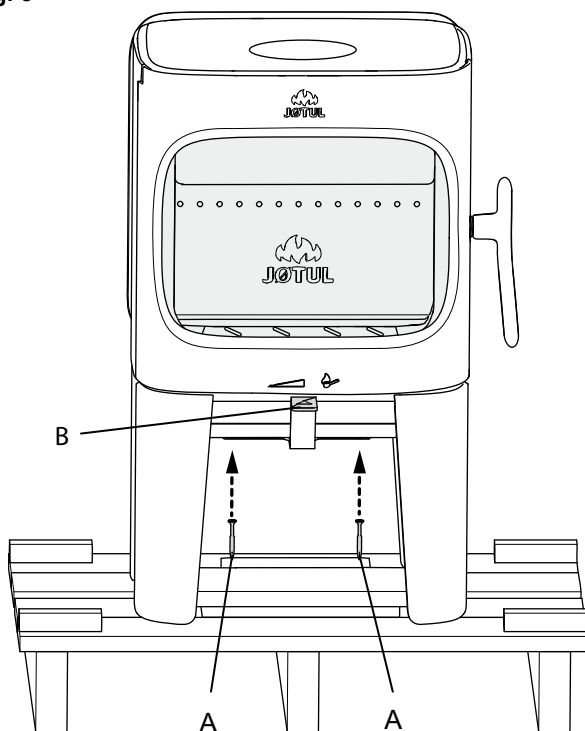
Nota: il prodotto è pesante! Assicurarsi di disporre dell'aiuto necessario in fase di posizionamento e installazione. La camera di combustione è pesante. Fare attenzione a non rovesciare il prodotto.

Nota: Non collocare niente sulla piastra superiore della stufa, dal momento che potrebbe causare danni permanenti alla vernice o allo smalto.

Nota: leggere attentamente le Istruzioni di installazione e funzionamento prima di installare il caminetto!

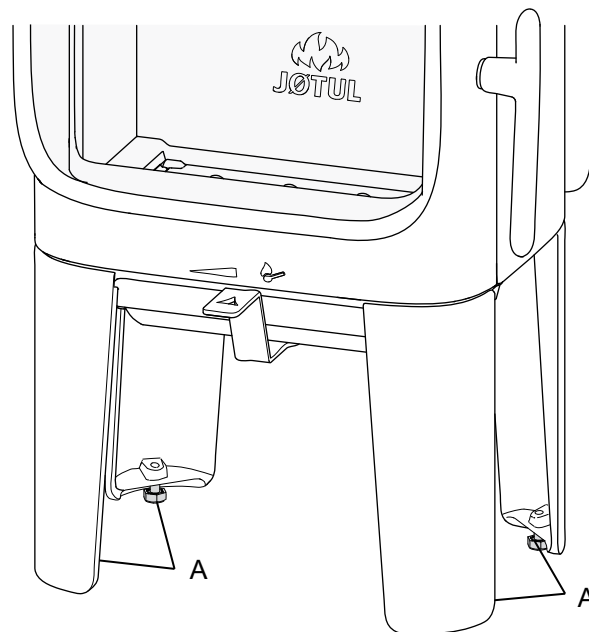
4.1 Preparazioni per Jøtul F 105 con montanti lunghi

Fig. 3



1. Rimuovere le due viti di trasporto (A) che fissano la stufa al pallet in legno.
2. Lasciare la stufa sul pallet di trasporto.
3. Estrarre i guanti, il sacchetto delle viti, il connettore dell'aria esterna e l'adattatore presenti all'interno della camera di combustione.
4. Controllare che la leva di comando (B) si muova liberamente.

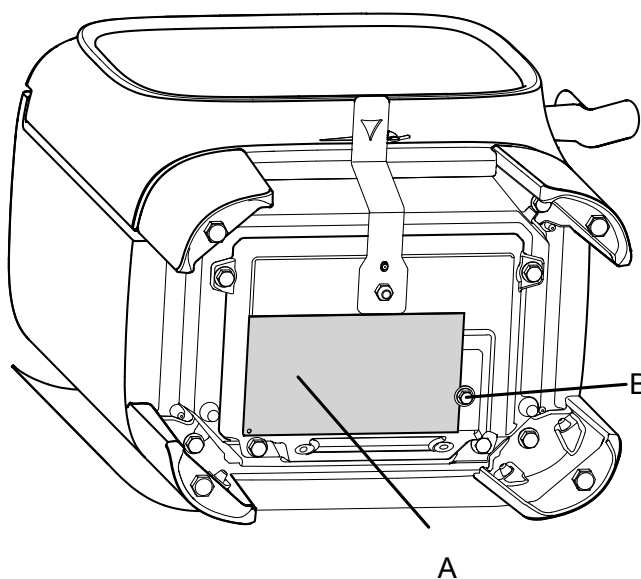
Fig. 4



5. Sollevare la stufa dal pallet.
6. Montare la stufa e regolare utilizzando una chiave a corona in posizione orizzontale con le 4 viti di regolazione dell'altezza. Fare un segno sulla parete se è necessario uno scarico posteriore per il condotto di scarico fumi e l'alimentazione dell'aria esterna. **NOTA: Tenere in considerazione l'altezza della piastra di protezione per il pavimento.**

Etichetta di conformità

Fig. 5



1. Estrarre l'etichetta di conformità (A) dalla camera di combustione e applicarla con le viti (B), come illustrato. Serrare la vite con una chiave a corona. **NOTA: Non tagliare il filo utilizzato per applicare l'etichetta.**

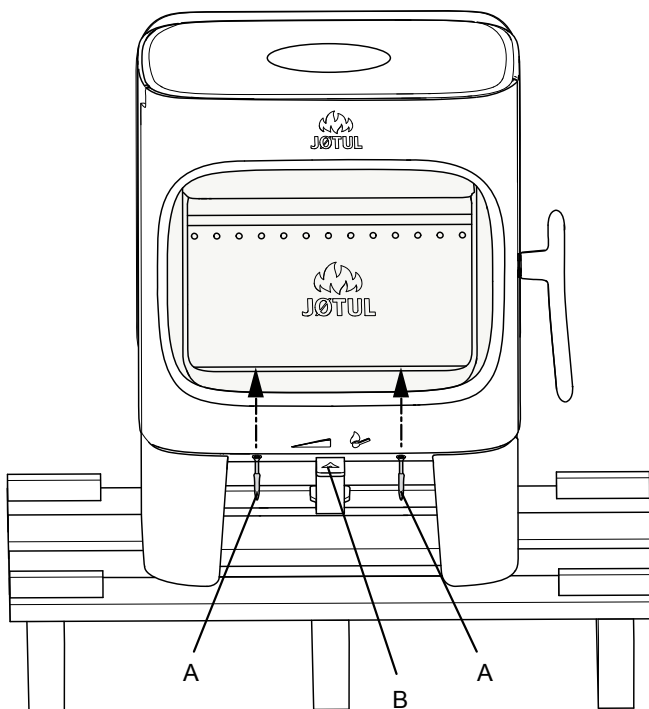
4.1 Preparazioni per Jøtul F 105 con montanti corti

Jøtul F 105 SL può essere installato solo su pavimenti in cui sia la superficie, sia la struttura in sé siano realizzate in materiale ignifugo. Ciò si applica anche se il prodotto poggia su una piastra di protezione.

NOTA: L'area ignifuga deve sporgere di almeno 500 mm davanti alla stufa.

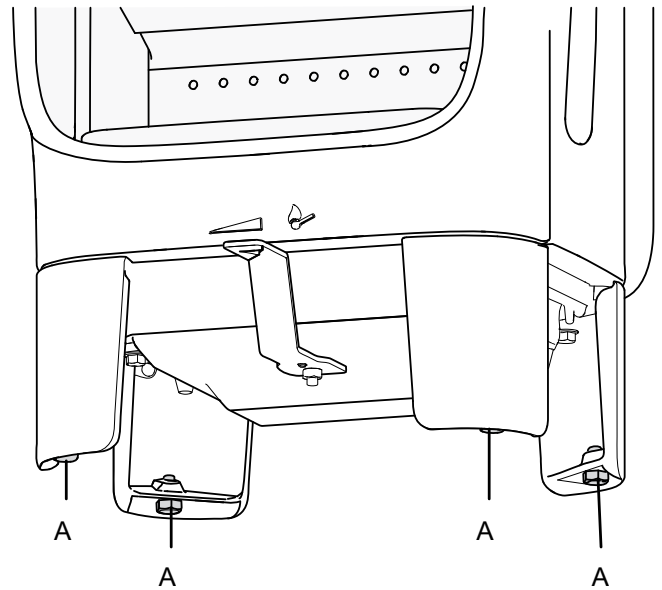
Nota: Si consiglia di non installare il riscaldamento a pavimento (ad acqua o elettrico) in questa zona.

Fig. 6



1. Rimuovere le due viti di trasporto **(A)** che fissano la stufa al pallet in legno.
2. Lasciare la stufa sul pallet di trasporto.
3. Estrarre i guanti, il parafiamma, il sacchetto delle viti, il connettore dell'aria esterna e l'adattatore presenti all'interno della camera di combustione.
4. Controllare che la leva di comando **(B)** si muova liberamente.

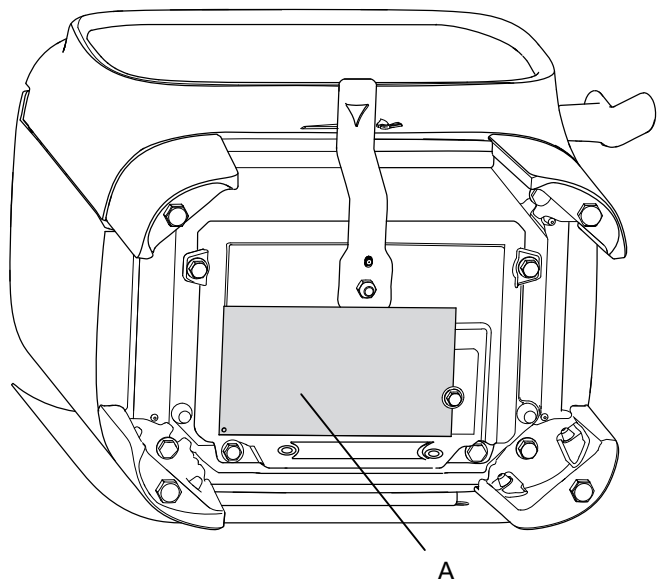
Fig. 7



5. Sollevare la stufa dal pallet.
6. Montare la stufa e regolare utilizzando una chiave a corona in posizione orizzontale con le 4 viti di regolazione dell'altezza. Fare un segno sulla parete se è necessario uno scarico posteriore per il condotto di scarico fumi e l'alimentazione dell'aria esterna. **NOTA: Tenere in considerazione l'altezza della piastra di protezione per il pavimento.**

Etichetta di conformità

Fig. 8

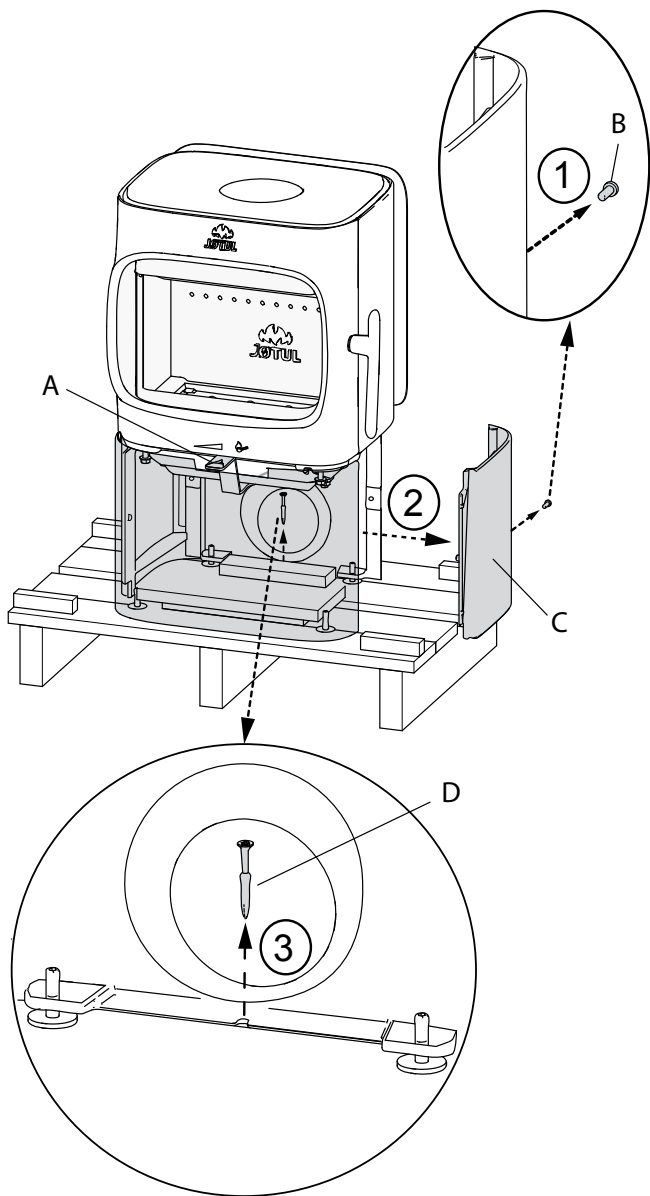


1. Estrarre l'etichetta di conformità **(A)** dalla camera di combustione e applicarla con la vite **(B)**, come illustrato. Serrare la vite con una chiave a corona. **NOTA: Non tagliare il filo utilizzato per applicare l'etichetta.**

ITALIANO

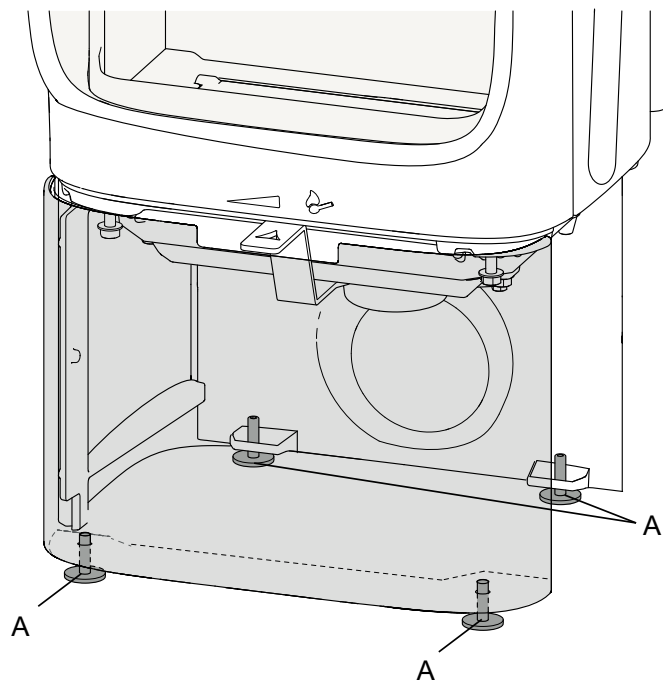
4.3 Preparazioni per Jøtul F 105 con base

Fig. 9



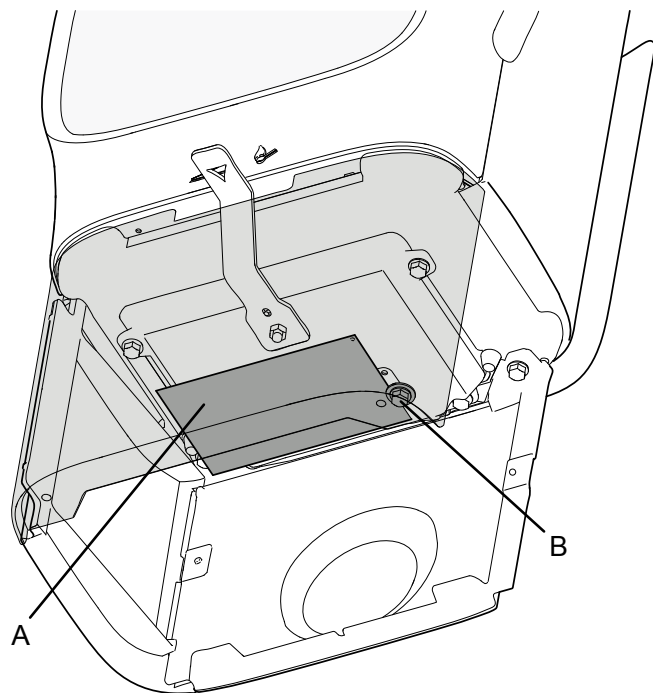
1. Estrarre i guanti, il parafiamma, il sacchetto delle viti, il connettore dell'aria esterna e l'adattatore presenti all'interno della camera di combustione.
1. Svitare la vite (B) posta al centro del lato posteriore della piastra laterale.
2. Rimuovere la piastra laterale (C).
3. Rimuovere la vite di trasporto (D) che fissa la stufa al pallet in legno.
2. Controllare che la leva di comando (A) si muova liberamente.
3. Sollevare la stufa dal pallet e montarla (vedere fig. 1).

Fig. 10



4. Sollevare la stufa dal pallet.
5. Montare la stufa e regolare in posizione orizzontale con le 4 viti di regolazione dell'altezza. Utilizzare la chiave esagonale presente nel sacchetto delle viti. Fare un segno sulla parete se è necessario uno scarico posteriore per il condotto di scarico fumi e l'alimentazione dell'aria esterna.
NOTA: Tenere in considerazione l'altezza della piastra di protezione per il pavimento.

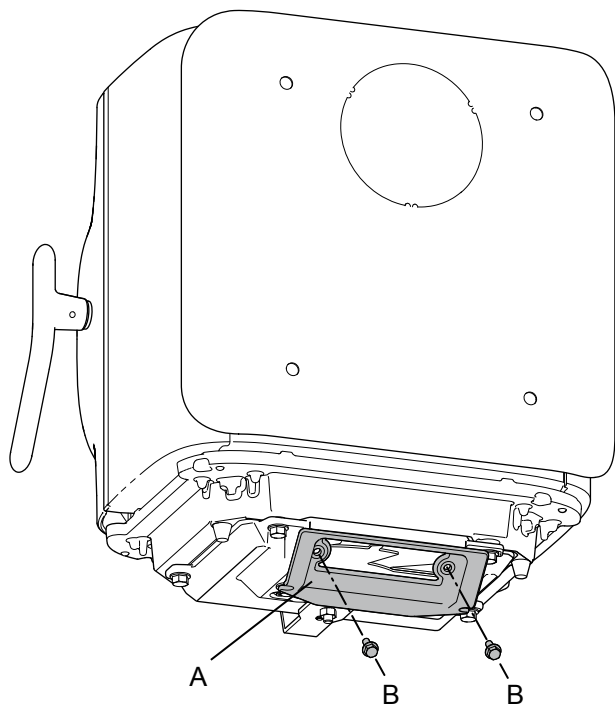
Fig. 11



1. Estrarre l'etichetta di conformità (A) dalla camera di combustione e applicarla con la vite (B), come illustrato. Serrare la vite con una chiave a corona. **NOTA: Non tagliare il filo utilizzato per applicare l'etichetta.**

Alimentazione dell'aria esterna attraverso il pavimento

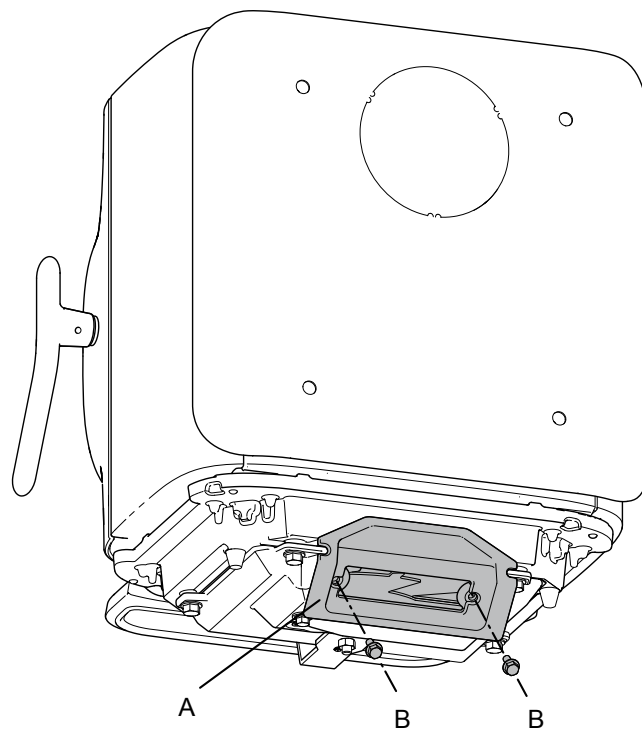
Fig. 12



1. Fissare l'adattatore (A) sul lato inferiore della camera di combustione usando le viti fornite (B).

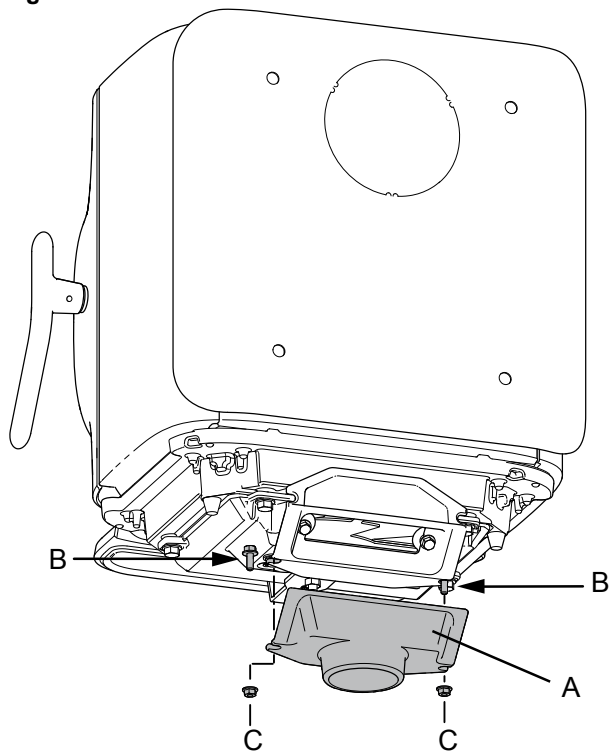
Alimentazione dell'aria esterna attraverso uno scarico posteriore

Fig. 14



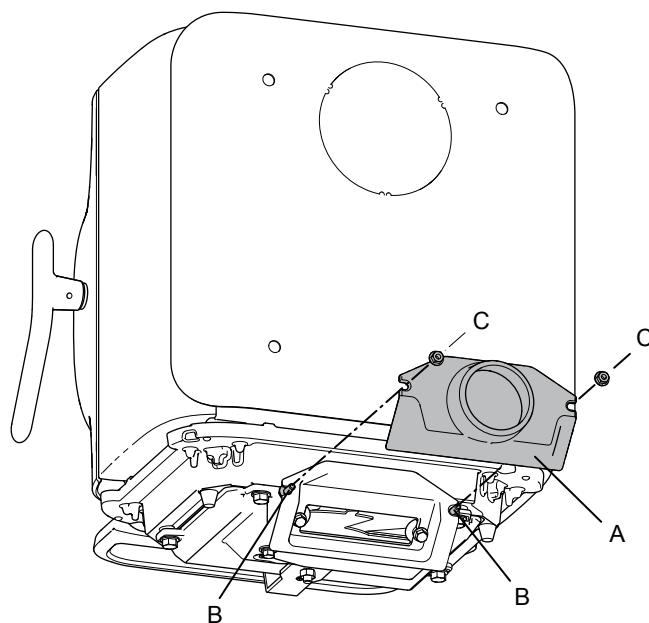
1. Fissare l'adattatore (A) alla camera di combustione usando le due viti fornite (B).

Fig. 13



2. Fissare il connettore dell'aria esterna (A) all'adattatore inserendo due viti (B) nella traccia e serrandole con i dadi (C).

Fig. 15



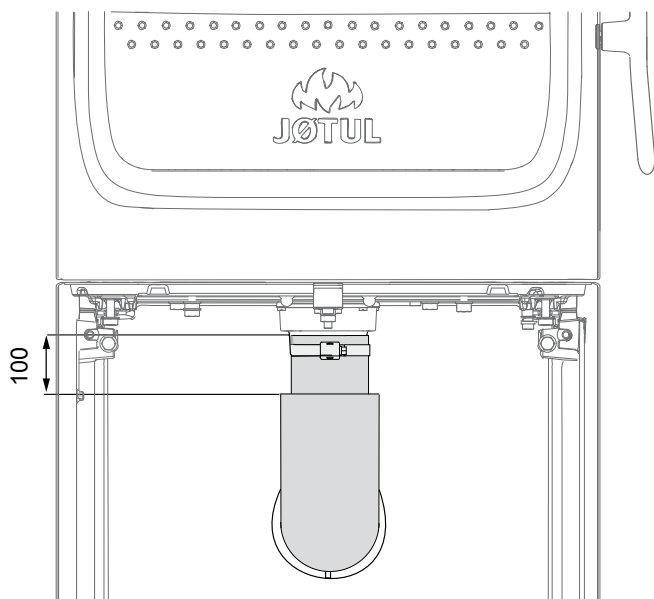
2. Fissare il connettore dell'aria esterna (A) all'adattatore inserendo due viti (B) nella traccia e serrandole con i dadi (C).

ITALIANO

Collegamento dell'aria esterna attraverso la base

Attraverso lo scarico posteriore

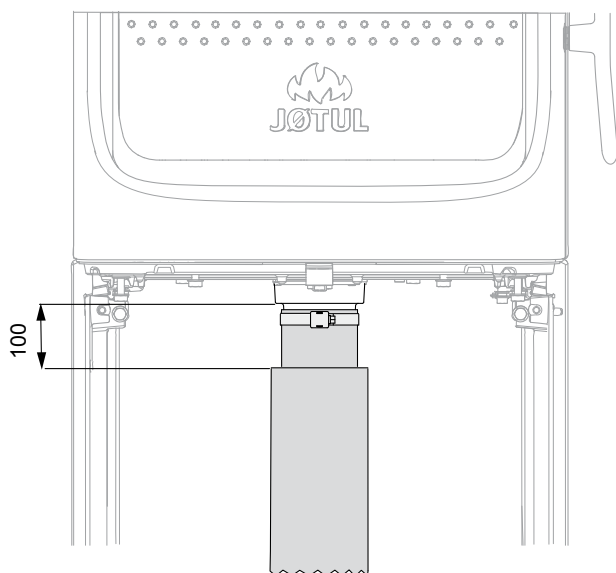
Fig. 16



1. Per fissare il condotto della presa d'aria fresca da $\varnothing 80$ (accessorio opzionale - articolo n. 51047509), consultare il manuale (articolo n. 10047508) in dotazione con il kit dell'aria esterna. Fissare il tubo flessibile al connettore dell'aria esterna con una fascetta stringitubo. L'isolamento del tubo flessibile dell'aria esterna termina **circa 100 mm** sotto la camera di combustione.

Attraverso il pavimento

Fig. 17



1. Per fissare il condotto della presa d'aria fresca da $\varnothing 80$ (accessorio opzionale - articolo n. 51047509), consultare il manuale (articolo n. 10047508) in dotazione con il kit dell'aria esterna. Fissare il tubo flessibile al connettore dell'aria esterna con una fascetta stringitubo. L'isolamento del tubo flessibile dell'aria esterna termina **circa 100 mm** sotto la camera di combustione.

4.4 Canna fumaria e condotto

- Il caminetto deve essere collegato solo a una canna fumaria e a un condotto approvati per caminetti a combustibile solido; le temperature dei gas prodotti dal fumo sono indicate nel capitolo "2.0 Dati tecnici".
- Il collegamento della canna fumaria deve essere realizzato in conformità alle istruzioni di installazione fornite dal produttore della stessa.
- Prima di praticare un foro nella canna fumaria, montare e posizionare provvisoriamente il prodotto, in modo da individuare la corretta posizione del caminetto e del foro sulla canna fumaria. Vedere la **Fig. 1** per le dimensioni minime.
- Assicurarsi che il condotto si sviluppi verso l'alto, in direzione della canna fumaria.
- Assicurarsi che sia possibile spazzare vicino allo scarico posteriore e allo scarico superiore. Se necessario, utilizzare un condotto di scarico fumi dotato di un portello.
- È estremamente importante che i collegamenti abbiano una certa flessibilità, questo per impedire ogni movimento in fase di installazione tale da causare la formazione di crepe.
- Per il tiraggio raccomandato della canna fumaria, consultare il capitolo "2.0 Dati tecnici". Per le dimensioni del condotto con la sezione trasversale rilevante, consultare il capitolo "2.0 Dati tecnici". **Nota: Il diametro della canna fumaria deve essere almeno delle stesse dimensioni del condotto.**

Nota: la lunghezza minima raccomandata della canna fumaria è 3,5 m dall'insero del condotto. Se il tiraggio risulta eccessivo, installare una valvola di regolazione del tiraggio.

Se la sezione trasversale della canna fumaria è sufficientemente ampia, è possibile collegarvi più stufe a combustibile solido.

NOTA: Consultare le norme e i regolamenti applicabili per determinare cosa è permesso. Anche una buona canna fumaria può funzionare male se usata in modo scorretto.

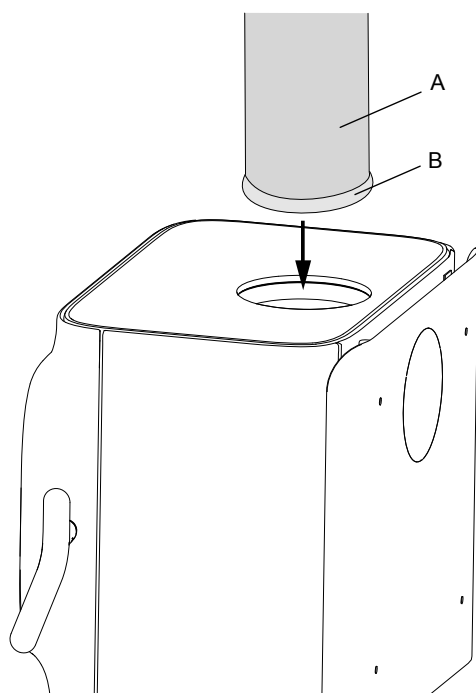
Funzionamento con diverse condizioni climatiche

L'effetto del vento sulla canna fumaria può avere un impatto significativo sul modo in cui la stufa reagisce alle raffiche di diverse intensità. Può essere necessario regolare l'alimentazione dell'aria per ottenere una buona combustione.

4.5 Inserimento di un condotto con uno scarico superiore

Il prodotto viene consegnato dalla fabbrica con uno scarico fumi adatto allo scarico superiore.

Fig. 18

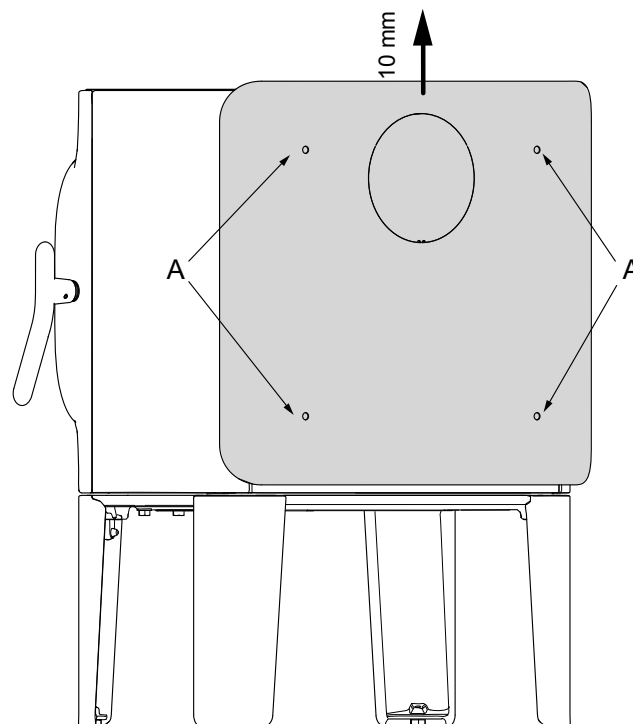


1. Avvitare il condotto di scarico fumi (**A**) attraverso la piastra superiore e posizionarlo nello scarico fumi superiore.
2. Sigillare bene con una guarnizione (**B**).

4.5 Inserimento di un condotto con uno scarico posteriore

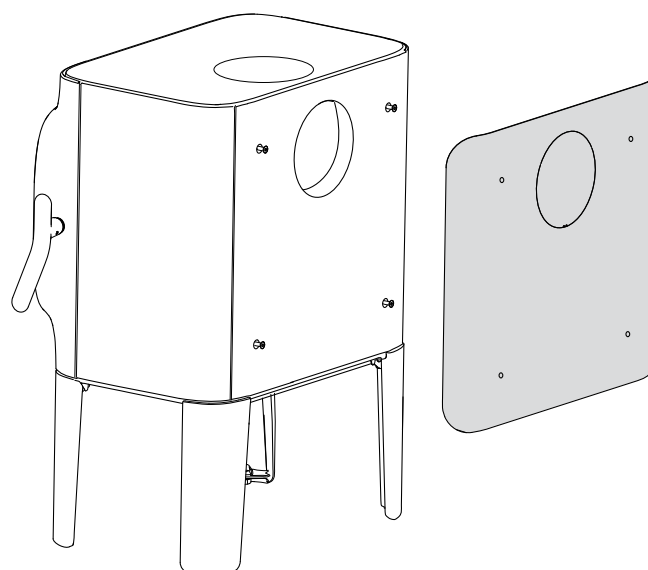
Il prodotto viene consegnato dalla fabbrica con uno scarico fumi adatto allo scarico superiore. Se si desidera posizionare uno scarico posteriore, procedere nel modo seguente:

Fig. 19



1. Allentare senza svitare le quattro viti (**A**) completamente e sollevare la piastra di convezione di circa 10 mm. Utilizzare la chiave esagonale del sacchetto delle viti.

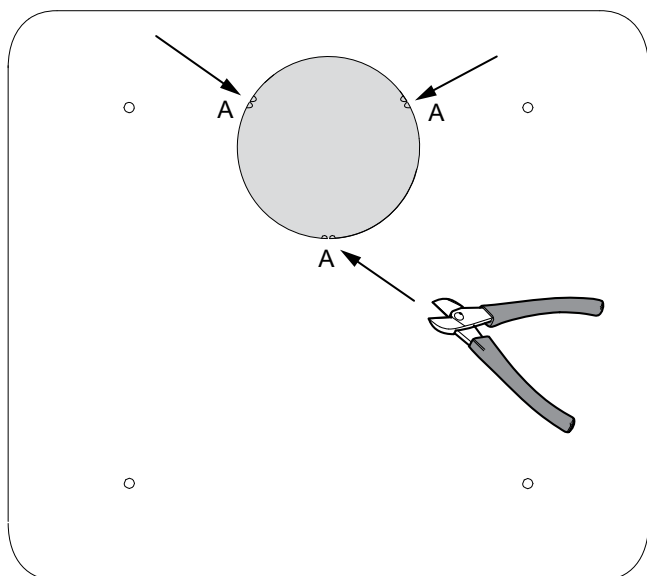
Fig. 20



2. Sganciare la piastra di convezione.

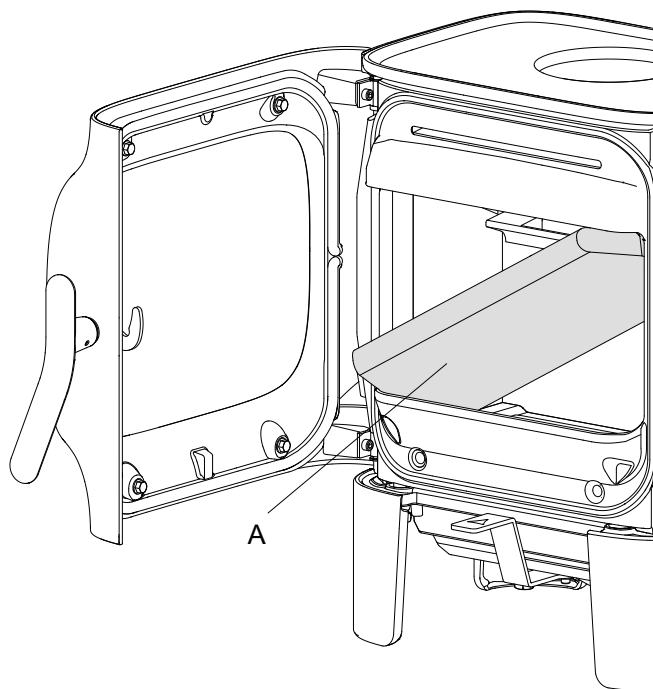
ITALIANO

Fig. 21



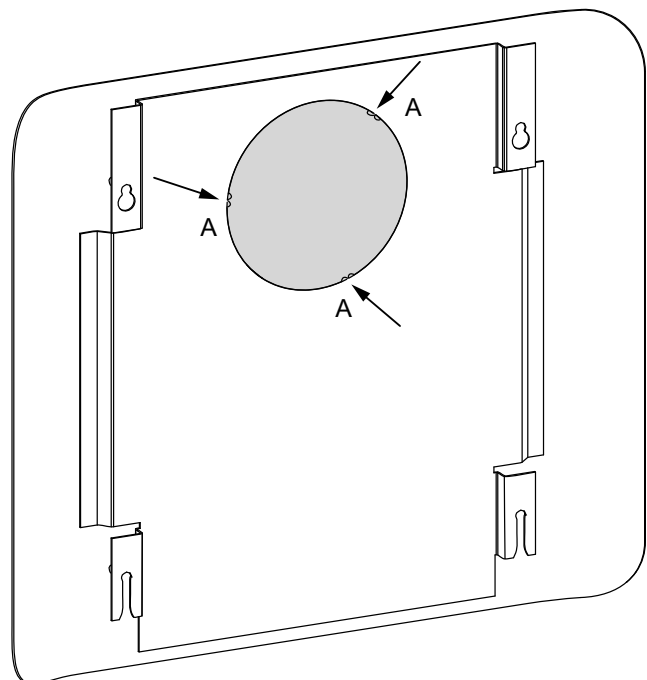
3. Tagliare la piastra posteriore nei punti (A) nello scarico e rimuovere la copertura.

Fig. 23



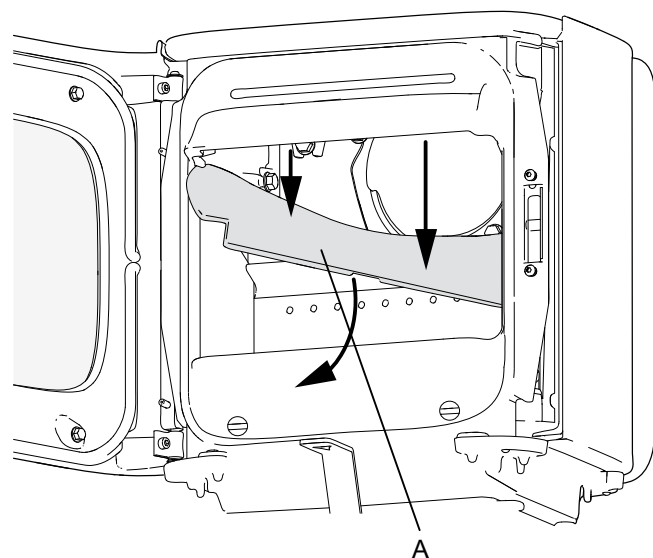
1. Rimuovere il parafiamma (A) sollevandolo dal bordo posteriore, poi estrarlo dalla camera di combustione girandolo.

Fig. 22



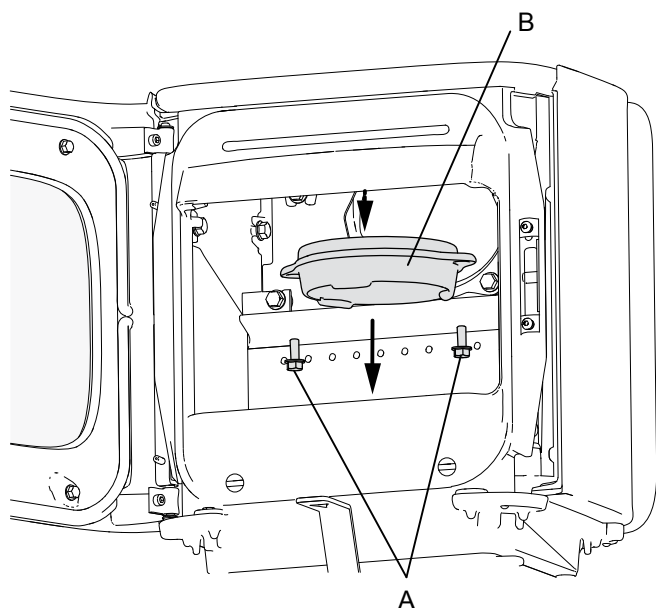
4. Effettuare la stessa operazione nella parte interna della piastra di convezione.

Fig. 24



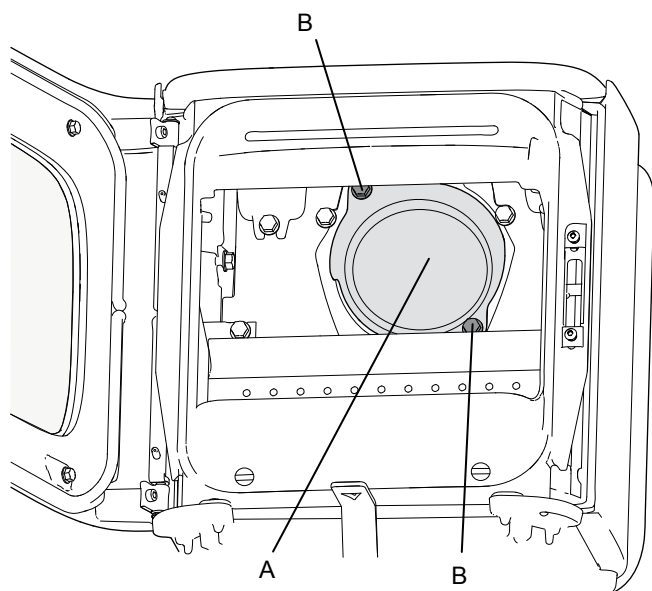
1. Collocare il prodotto in posizione corretta. **Vedere fig. 1**
2. Rimuovere il deflettore di aspirazione (A).

Fig. 25



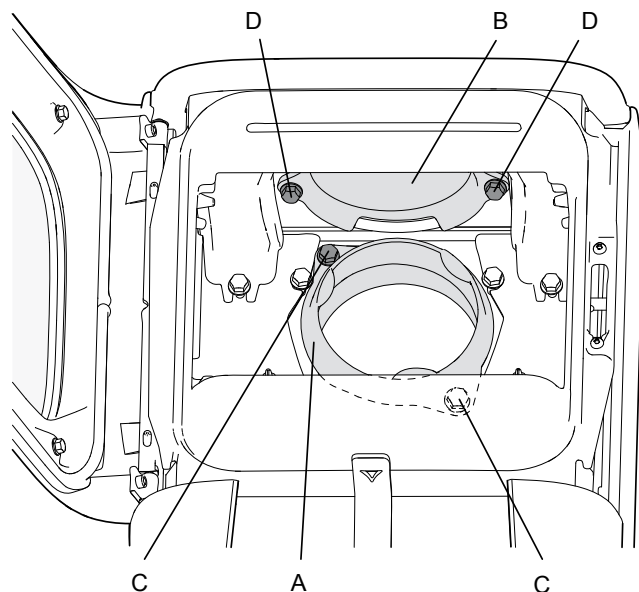
3. Svitare le viti (A) e rimuovere lo scarico fumi (B) dallo scarico superiore.

Fig. 26



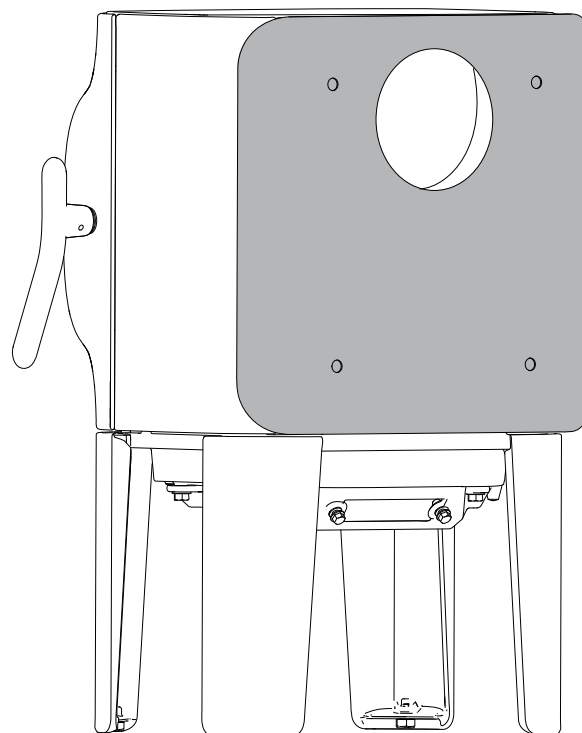
4. Svitare le viti (B) e rimuovere la copertura (A) dello scarico posteriore dall'interno della camera di combustione.

Fig. 27



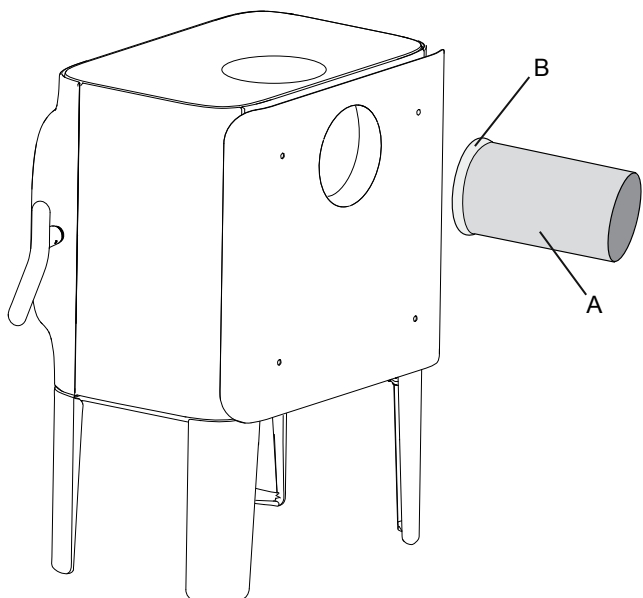
5. Fissare lo scarico fumi (A) allo scarico posteriore usando le due viti (C) dall'interno della camera di combustione.
6. Fissare la copertura (B) allo scarico superiore con le due viti (D) dall'interno della camera di combustione.
7. Reinstallare il deflettore di aspirazione.
8. Posizionare il parafiamma.

Fig. 28



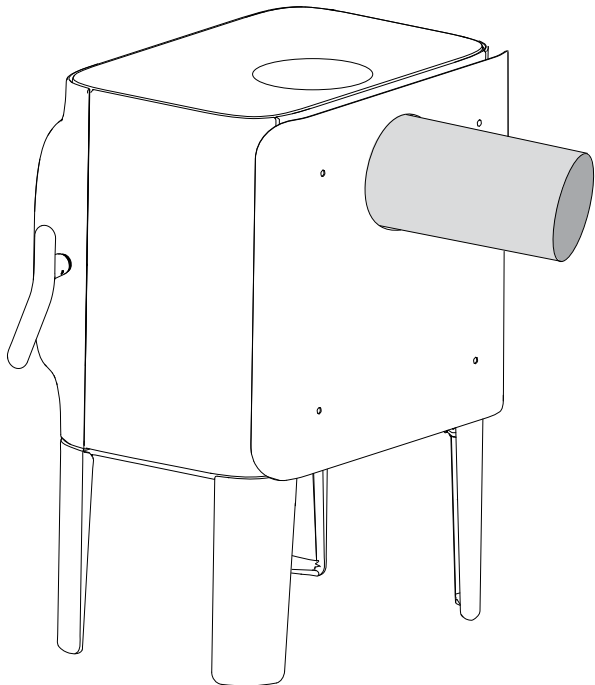
9. Agganciare nuovamente la piastra di convezione al prodotto e fissare utilizzando le stesse quattro viti.

Fig. 29



10. Posizionare la guarnizione (B) sul bordo del condotto di scarico fumi (A).

Fig. 30



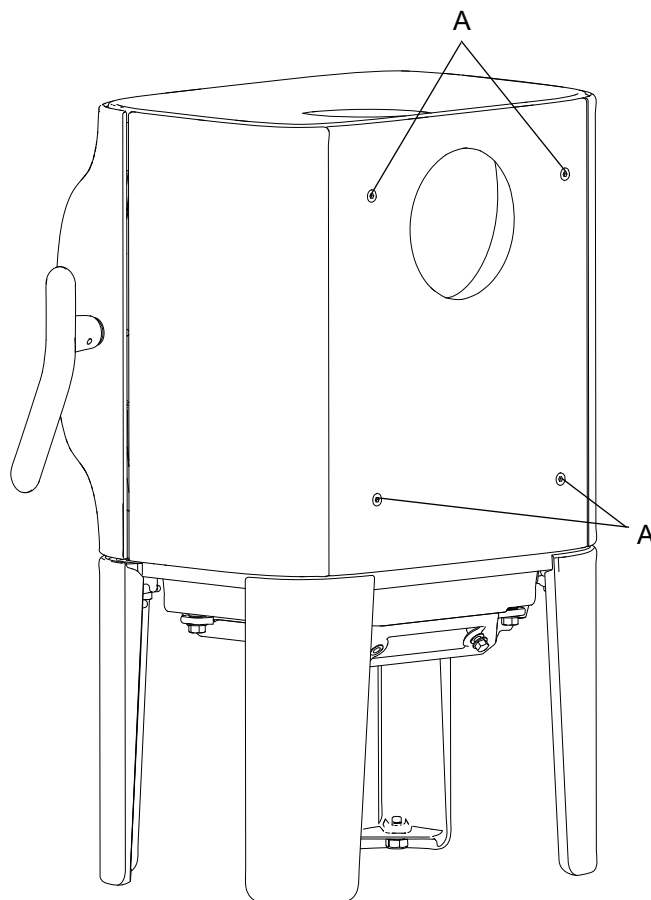
11. Inserire il condotto di scarico fumi nello scarico posteriore.

Nota: è importante che tutti i giunti/condotti siano completamente sigillati. Eventuali fuoriuscite d'aria potrebbero impedirne il corretto funzionamento.

Prodotto senza piastra di convezione

Nota: se non utilizzate una piastra di convezione, il prodotto avrà diverse condizioni di impostazione (vedere fig. 1).

Fig. 31

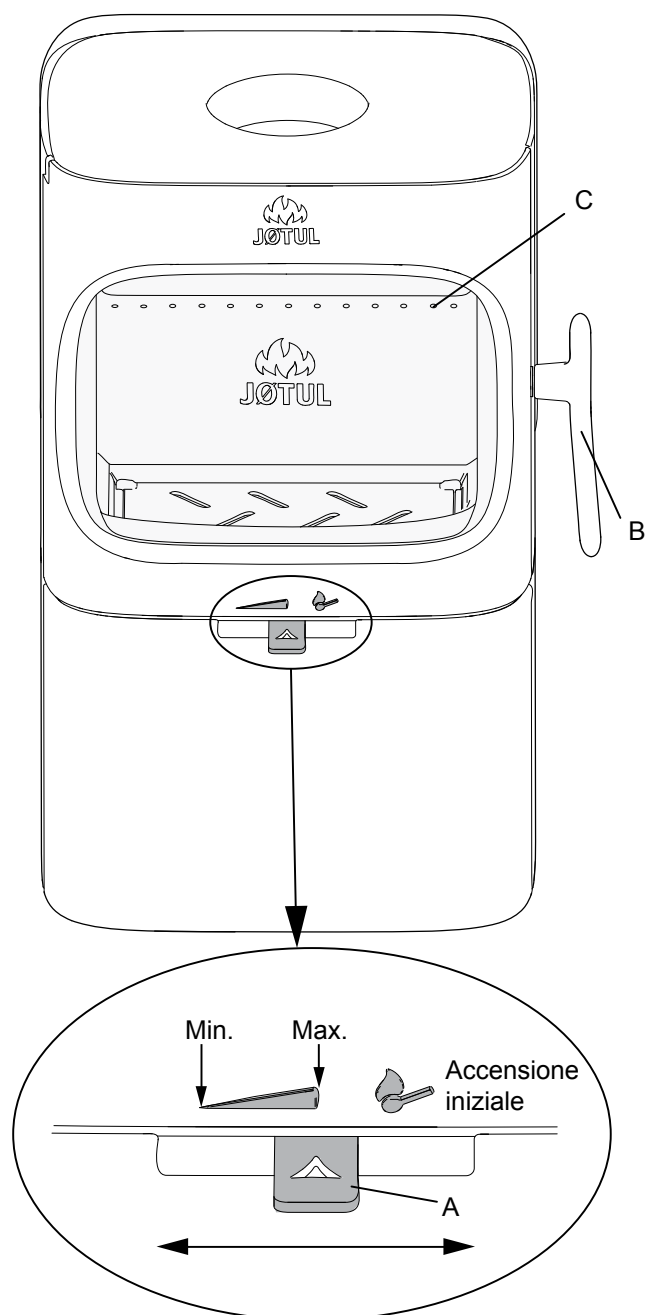


1. Se non utilizzate la piastra di convezione nella camera di combustione, avvitate nuovamente le quattro viti (A) in posizione. Utilizzare la chiave esagonale del sacchetto delle viti.

4.7 Controllo delle prestazioni

Una volta assemblato il prodotto, controllare la leva di comando. Deve muoversi facilmente e funzionare in modo soddisfacente.

Fig. 32



Jøtul F 105 è dotato delle seguenti opzioni di funzionamento:

Presenza d'aria (A)

Spingere a sinistra: minimo
 Spingere al centro: massimo
 Spingere completamente a destra: per l'accensione

Maniglia della porta (B)

Aprire tirando la maniglia in fuori.

Altezza di impilaggio (C) per la legna (i fori possono non essere coperti).

5.0 Utilizzo giornaliero

Odori al primo utilizzo del caminetto

Quando il caminetto viene utilizzato per la prima volta, può emettere un gas irritante dal lieve odore. Ciò si verifica perché la vernice si secca. Il gas non è tossico, tuttavia il locale deve essere ventilato approfonditamente. Lasciare bruciare il fuoco con un tiraggio elevato, fino a far scomparire ogni traccia di gas, fumo e odore.

Consiglio per l'alimentazione della stufa

Nota: i ceppi conservati all'aperto o in un locale freddo devono essere collocati all'interno 24 ore prima dell'uso, al fine di portarli alla temperatura ambiente.

Ci sono vari modi per alimentare la stufa, tuttavia è sempre importante prestare attenzione a ciò che viene collocato nella stufa. Consultare la sezione "Qualità della legna".

Importante! Una circolazione dell'aria inadeguata può comportare una combustione insufficiente, emissioni elevate e un basso livello di efficienza.

Qualità della legna

Per "legna di qualità" si intendono tipi di legna generalmente conosciuti come la betulla, l'abete e il pino.

I ceppi devono essere asciugati, in modo che il contenuto di umidità non sia superiore al 20%.

A tal fine, si consiglia di tagliare i ceppi alla fine dell'inverno. Tagliarli e impilarli in modo da garantire una buona ventilazione. Le pile di legna devono essere coperte per proteggere i ceppi dalla pioggia. Portare i ceppi all'interno all'inizio dell'autunno e impilarli/conservarli per utilizzarli in inverno.

Prestare particolare attenzione a non utilizzare mai i seguenti materiali come combustibile per il caminetto:

- Rifiuti domestici, buste di plastica, ecc.
- Legname verniciato o impregnato (*in quanto estremamente tossico*).
- Assi di legno laminato.
- Cumuli di legname trasportato dalla corrente

Possono danneggiare il prodotto e sono anche inquinanti.

Nota: non utilizzare mai petrolio, paraffina, alcol denaturato o liquidi simili per accendere il fuoco, in quanto potrebbero causare lesioni gravi all'utilizzatore e danni al prodotto.

Fascine (legna spaccata finemente):

Lunghezza: max. 33 cm
 Diametro: 2-4 cm
 Quantità richiesta per carico: 6-8 pezzi

Legna (spaccata):

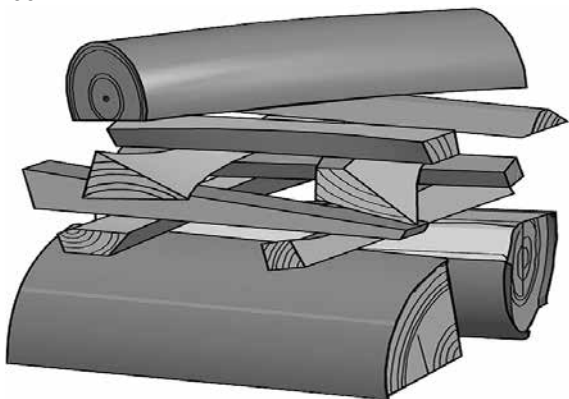
Lunghezza raccomandata: 20 - 33 cm
 Diametro: circa 8 cm
 Intervallo di aggiunta della legna: circa ogni 45 - 50 minuti
 Dimensioni della fiamma: 1,1 kg (potenza nominale)
 Quantità richiesta per carico: x2
 Quantità max di fascine: 2,0 kg

L'emissione di calore nominale si ottiene quando la presa d'aria è aperta circa al 30 % (fig. 32). L'emissione di calore massimo si ottiene quando la presa d'aria è aperta circa al 50 %.

Accensione iniziale

Aprire le prese d'aria e di accensione estraendo completamente le manopole (fig. 32). Se necessario, tenere la porta leggermente aperta. (Utilizzare un guanto o simile per proteggere la mano nel caso in cui le manopole siano calde.)

Fig. 33



- Posizionare due ceppi in fondo alla camera di combustione e impilare le fascine in strati.
- Infine, posizionare un ceppo di dimensioni medie in cima alla pila.
- Posizionare 2 o 3 bricchette o ramoscelli sotto lo strato superiore di fascine e accendere il fuoco. **Nota: l'altezza massima della pila di legna deve essere appena inferiore ai fori orizzontali. I fori non devono essere coperti.**
- Dopodiché, è possibile variare il tasso di combustione per ottenere il calore desiderato regolando la presa d'aria (fig. 32).
- Controllare che abbia inizio la postcombustione (combustione secondaria). Ciò viene indicato dalla presenza di fiamme gialle e guizzanti davanti ai fori sotto il parafiamma.
- Se il flusso d'aria è normale, sarà possibile chiudere la porta e il fuoco si regolerà autonomamente.

Aggiunta della legna

Alimentare frequentemente la stufa, aggiungendo solo piccoli quantitativi di combustibile alla volta. Se la stufa è troppo piena, il calore creato potrebbe causare sollecitazioni estreme della canna fumaria. Aggiungere con moderazione il combustibile al fuoco. Evitare i fuochi che bruciano senza fiamme, dato che ciò produrrà il massimo inquinamento. Un fuoco ottimale si ottiene con una buona bruciatura e un fumo in uscita dalla canna fumaria quasi invisibile. Un fuoco ottimale si ottiene con una buona bruciatura e un fumo in uscita dalla canna fumaria quasi invisibile. **NOTA: È importante tenere la porta chiusa durante la combustione.**

5.1 Pericolo di surriscaldamento

Il caminetto non deve mai essere utilizzato in modo tale da causare surriscaldamento

Il surriscaldamento si verifica in presenza di un eccesso di combustibile e/o di aria, causando un calore eccessivo. Un segno evidente di surriscaldamento è la presenza di un bagliore rosso in alcune parti del caminetto. Se ciò dovesse accadere, ridurre immediatamente l'apertura della presa d'aria.

Consultare un professionista se si sospetta che la canna fumaria non presenti un tiraggio corretto (tiraggio eccessivo o scarso). Per ulteriori informazioni, consultare il capitolo "4.0 Installazione" (Canna fumaria e condotto).

5.2 Rimozione della cenere

Jøtul F 105 include un ceneraio che semplifica la rimozione della cenere.

- Rimuovere la cenere solo con il caminetto freddo.
- Raschiare la cenere attraverso la grata nella parte interna inferiore e in basso all'interno del ceneraio. Utilizzare un guanto o simile per proteggere le mani. Impugnare la maniglia del ceneraio ed estrarlo sollevandolo. Assicurarsi che il ceneraio non sia mai così colmo da impedire la caduta della cenere attraverso la grata fino al ceneraio.
- Assicurarsi che il ceneraio sia spinto fino in fondo prima di chiudere la porta.

6.0 Manutenzione

6.1 Pulizia del vetro

Il prodotto dispone del sistema di pulizia ad aria del vetro. Attraverso la presa d'aria, l'aria viene risucchiata nella parte superiore del camino e spinta verso il basso lungo la parte interna del vetro.

Sarà comunque inevitabile l'accumulo di un po' fuliggine sul vetro, la cui quantità dipenderà dalle condizioni di tiraggio locale e dalla regolazione della presa d'aria. La maggior parte della fuliggine verrà normalmente bruciata quando si apre completamente la presa d'aria mentre il fuoco brucia vivacemente nel camino.

Suggerimento utile! Per la pulizia generale, utilizzare carta da cucina inumidita con acqua calda e aggiungere della cenere presa dalla camera di combustione. Pulire il vetro con la carta, quindi risciacquarlo con acqua pulita e asciugarlo completamente. Se fosse necessario pulire il vetro più a fondo, utilizzare un detergente per vetri (*seguire le istruzioni riportate sul flacone*).

6.2 Pulizia e rimozione della fuliggine

I depositi di fuliggine possono accumularsi sulle superfici interne del caminetto durante l'uso. La fuliggine è un buon isolante, pertanto riduce la potenza termica del caminetto. Se si accumulano depositi di fuliggine durante l'utilizzo del prodotto, per rimuoverli è sufficiente utilizzare un detergente specifico.

Al fine di impedire la formazione di acqua e di uno strato di pece liquida nel caminetto, consentire regolarmente la presenza di fiamme particolarmente calde per rimuovere lo strato. È richiesta una pulizia interna annuale per ottenere i migliori risultati termici dal prodotto. Si consiglia di effettuarla insieme alla pulizia della canna fumaria e dei condotti.

6.3 Pulizia dei condotti alla canna fumaria

I condotti devono essere spazzati attraverso l'apposito portello o l'apertura della porta. Uno dei parafiamma dovrà prima essere rimosso per consentire l'esecuzione di tale operazione.

6.4 Ispezione del caminetto

Jøtul raccomanda di ispezionare attentamente il proprio caminetto dopo averlo spazzato e pulito. Controllare tutte le superfici visibili per individuare eventuali crepe. Controllare anche che tutti i giunti siano sigillati e che tutte le guarnizioni siano nelle posizioni corrette. Qualsiasi guarnizione che mostri segni di usura o deformazione deve essere sostituita.

Pulire accuratamente le scanalature delle guarnizioni, applicare della colla per ceramica (disponibile presso il proprio rivenditore Jøtul locale) e premere la guarnizione in posizione. Il giunto si asciugherà rapidamente.

6.5 Manutenzione esterna

Il colore dei prodotti verniciati può alterarsi dopo svariati anni di utilizzo. La superficie deve essere pulita e spazzolata in modo da rimuovere ogni residuo prima di applicare la nuova vernice.

Nel caso di prodotti smaltati è sufficiente passare un panno asciutto. Non utilizzare acqua saponata. È possibile rimuovere eventuali macchie con un liquido per la pulizia (*ad esempio per la pulizia del forno*).

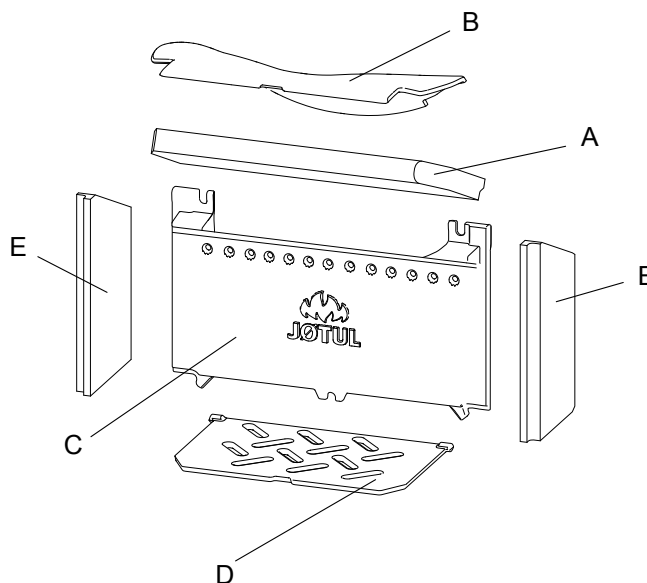
7.0 Assistenza

Avviso: è vietata ogni modifica non autorizzata al prodotto. **Utilizzare solo ricambi originali.**

7.1 Manutenzione/sostituzione di componenti nella camera di combustione

Nota: utilizzare gli utensili con grande attenzione! **Le piastre in vermiculite possono danneggiarsi se non trattate con cura.**

Fig. 34

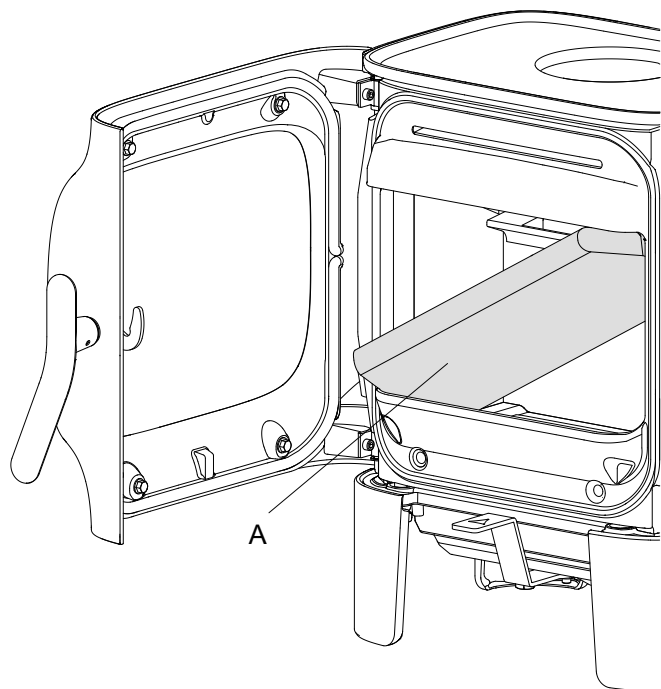


- 1. Parafiamma:** Sollevare il bordo anteriore del parafiamma (A) in alto e in basso ed estrarlo dalla camera di combustione girandolo.
- 2. Deflettore di aspirazione:** Sollevare il bordo anteriore del deflettore di aspirazione (B) in alto e in basso ed estrarlo dalla camera di combustione girandolo.
- 3.** Sollevare la **grata per cenere (D)** nell'alloggiamento centrale anteriore e poi sollevare il ceneraio ed estrarlo dalla camera di combustione.
- 4.** Rimuovere le tre viti che fissano la **piastra refrattaria**. Sollevare uno dei lati della piastra refrattaria ed estrarla dalla camera di combustione girandola.

ITALIANO

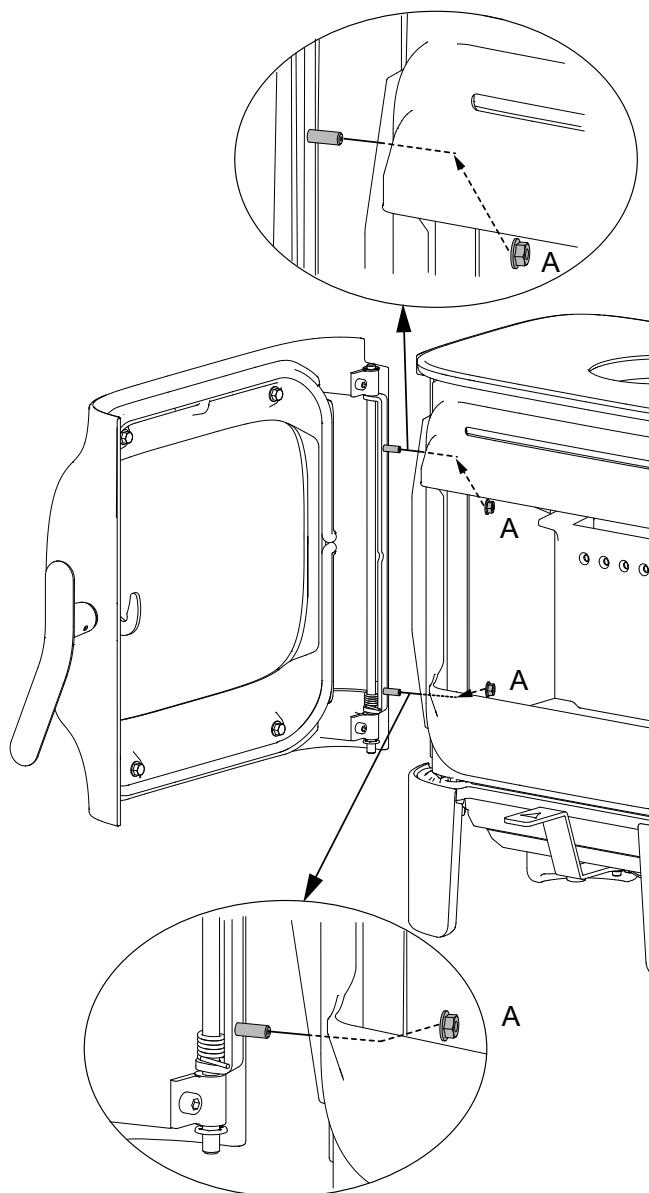
7.2 Sostituzione del vetro e delle guarnizioni nella porta

Fig. 35



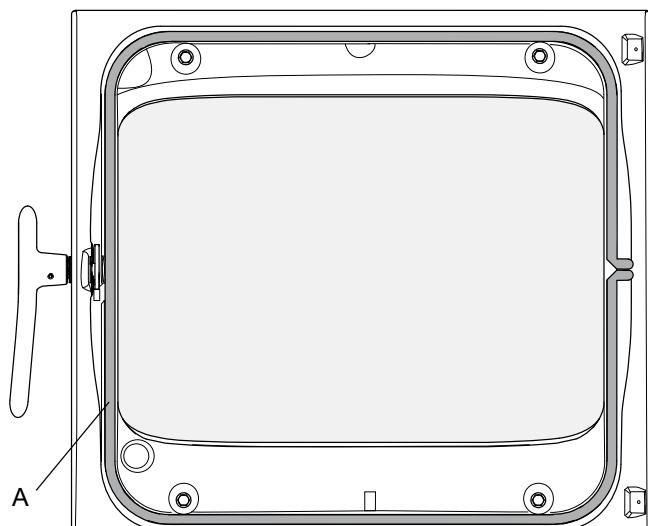
1. Rimuovere il parafiamma (A) sollevandolo dal bordo posteriore, poi estrarlo dalla camera di combustione girandolo.

Fig. 36



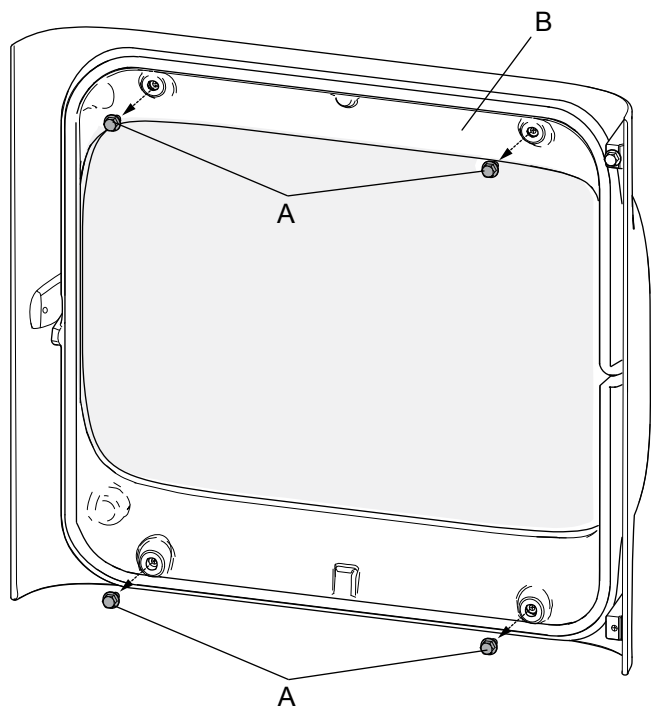
1. Svitare i dadi (A) e sganciare la porta. Posarla con cautela sulla scatola di cartone.

Fig. 37



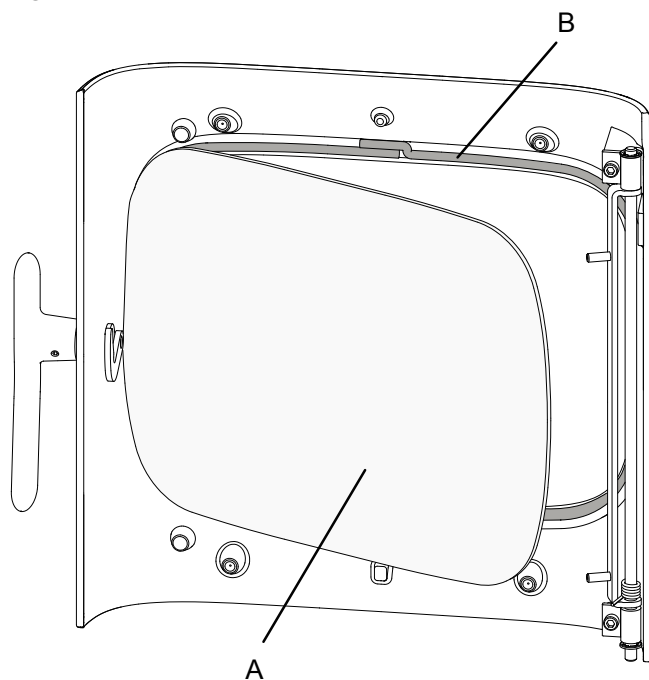
1. Rimuovere la guarnizione (A) posta all'interno della porta, pulire la scanalatura e incollarla su una nuova guarnizione.

Fig. 38



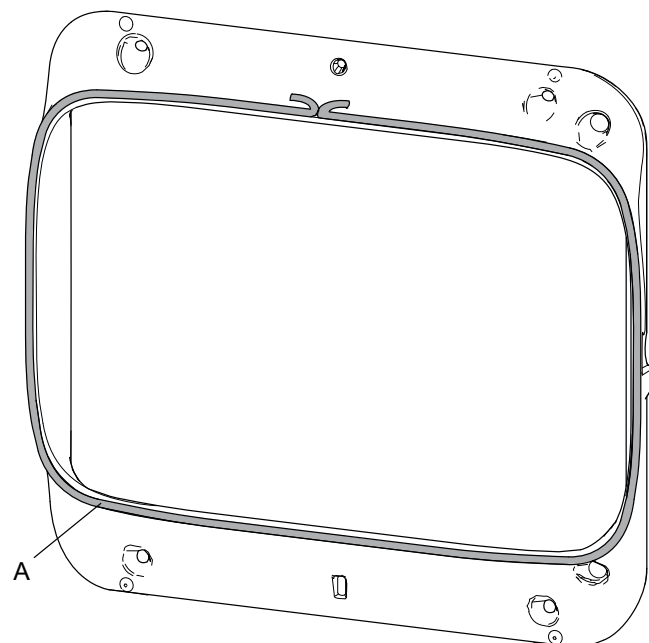
2. Se una guarnizione del vetro o un vetro devono essere sostituiti, rimuovere prima la maniglia della porta.
3. Svitare il supporto del vetro (B) fissato con 4 viti (A).
Nota: il vetro nella porta non è fissato. Fare attenzione a non buttare giù il vetro una volta allentato il supporto del vetro.

Fig. 39



4. Rimuovere il vetro (A) con attenzione. Rimuovere le guarnizioni (B) e (C) e pulire le scanalature. Incollare sulle nuove guarnizioni.

Fig. 40



5. Rimuovere la vecchia guarnizione (A) e pulire le scanalature. Incollare su una nuova guarnizione.
6. Rimontare tutte le parti una volta sostituite tutte le guarnizioni danneggiate.

8.0 Accessori opzionali

8.1 Condotto per l'aria esterna

Condotto per l'aria esterna, Ø 80 mm - art. nr. 51047509

8.2 Kit coperchio in pietra ollare

Art. nr. 51049066

8.3 Ceneraio per montanti

BP - art. nr. 51049065
WHE - N. cat. 51049516

8.5 Maniglia del ceneraio

BP - art. nr. 51049070
WHE - art. nr. 12048672

9.0 Riciclaggio

9.1 Riciclaggio dell'imballo

Ogni caminetto viene fornito all'interno del seguente imballo:

- Un pallet di legno che può essere tagliato e bruciato nel caminetto.
- Un imballo in cartone riciclabile da consegnare alle strutture di riciclaggio locali.
- Buste in plastica riciclabili da consegnare alle strutture di riciclaggio locali.

9.2 Riciclaggio del caminetto

Il caminetto è composto dai seguenti materiali:

- Metallo riciclabile da consegnare alle strutture di riciclaggio locali.
- Vetro da smaltire come rifiuto pericoloso. Il vetro contenuto nel caminetto non deve essere collocato in un normale contenitore per rifiuti domestici.
- Piastre refrattarie in vermiculite da smaltire nei normali contenitori per rifiuti domestici.

10.0 Termine della Garanzia

Jøtul è famoso come produttore di stufe e caminetti di alta qualità e di lunga durata, presenti sul mercato fin dal 1853. Siamo talmente sicuri della qualità dei nostri prodotti che abbiamo deciso di offrire ai nostri clienti un'estensione della garanzia senza alcun sovrapprezzo. Congratulazioni per il vostro nuovo focolare Jøtul!

1. La nostra garanzia copre:

Jøtul AS garantisce che i componenti esterni in ghisa sono esenti da difetti di materiali o lavorazione al momento dell'acquisto. È possibile estendere la garanzia per i componenti esterni in ghisa fino a 10 anni dalla data di consegna registrando il prodotto sul sito jotul.com e stampando la scheda di garanzia estesa entro tre mesi dall'acquisto. Consigliamo di conservare la scheda della garanzia assieme allo scontrino. Jøtul AS garantisce inoltre che i componenti delle piastre in acciaio sono esenti da difetti di materiali o lavorazione al momento dell'acquisto per un periodo di 5 anni dalla data di consegna.

La garanzia è valida a condizione che la stufa sia stata installata da un installatore qualificato conformemente con le leggi e normative applicabili e con le istruzioni di installazione e operative di Jøtul. I prodotti riparati e gli articoli sostitutivi sono garantiti per il periodo originale della garanzia.

2. La garanzia non copre:

- 2.1. Danni ai consumabili come le piastre refrattarie, le grate del fuoco, i parafiamma, le guarnizioni ed elementi simili, essendo soggetti a deterioramento nel tempo a causa della normale usura
- 2.2. Danni causati da manutenzione impropria, surriscaldamento, uso di combustibile non idoneo (esempi di combustibili non idonei sono, senza limitazione, cumuli di legname trasportato dalla corrente, legna impregnata, ritagli di assi, truciolato) o legna troppo umida/bagnata
- 2.3. Installazione di accessori opzionali per la modifica delle condizioni di tiraggio locali, la circolazione dell'aria o altre circostanze al di fuori del controllo di Jøtul
- 2.4. Casi di alterazione / modifica del focolare senza il previo consenso di Jøtul o l'utilizzo di parti non originali
- 2.5. Danni causati durante l'immagazzinaggio presso un distributore, il trasporto dal distributore o durante l'installazione
- 2.6. Prodotti venduti da rivenditori non autorizzati in aree in cui Jøtul opera un sistema di distribuzione selettiva
- 2.7. Costi associati (ad es., senza limitazione, trasporto, manodopera, trasferimento) o danni indiretti

Stufe a pellet, vetro, pietra, cemento, smalto e finitura a vernice (ad es., senza limitazione, scheggiatura, formazione di crepe, bolle o scolorimento e screpolatura) sono applicabili alle normative nazionali che disciplinano la vendita dei prodotti al consumo. La presente garanzia è valida per gli acquisti effettuati all'interno del territorio dello Spazio economico europeo. Qualsiasi domanda relativa alla garanzia deve essere rivolta al rivenditore Jøtul autorizzato di zona entro un periodo di tempo ragionevole, non successivo a 14 giorni dalla data in cui il guasto o il difetto si sono manifestati per la prima volta. Vedere l'elenco dei rivenditori sul nostro sito Web.jotul.com.

Jøtul si riserva il diritto di rifiutare qualsiasi sostituzione di componenti o attività di assistenza nel caso in cui la garanzia non sia stata registrata online. La presente garanzia non pregiudica alcun diritto previsto dalle normative nazionali che disciplinano la vendita di prodotti al consumo. Il diritto di reclamo del cittadino è valido dalla data di acquisto e solo dietro presentazione di scontrino/numero di serie.

Sluttkontroll av ildsteder

Quality control of stoves and fireplaces

Checked

Utført	Kontrollpunkt	Controlled item
✓	Alle deler er med i produktet (ifølge struktur).	All parts are included.
✓	Alle festemidler er av korrekt type, og er korrekt anvendt.	Correct fastener items have been used and correctly applied.
✓	Overflater er i samsvar med Jøtuls kvalitetsstandarder.	Surfaces comply with Jøtul workmanship standards.
✓	Lukkemekanismer fungerer som de skal, og uten behov for unødige stor kraft.	Door locking mechanisms function correctly; excessive force is not needed.
✓	Produktet/serien møter kravet for lekkasjetest.	The product/lot complies with the leakage test requirement.
✓	Lakkerte/emaljerte overflater møter kravene i Jøtuls kvalitetsstandarder.	Paint/enamel surface finish complies with Jøtul workmanship standards.
✓	Produktet er fritt for utvendig kitt- eller limklin.	Surfaces are not contaminated by external stove cement or glue.
✓	Produktet har ingen sprekker i glass, støpejern eller andre deler.	There are no cracks in glass, cast iron or other parts.
✓	Pakninger er riktig lagt, og skjemmer ikke produktet ved stygge ender eller ved at pakningen er unødig synlig.	Gaskets are correctly applied and do not degrade product appearance (i.e. loose ends or excessive visible exposure).
✓	Dørpakninger er godt limt.	Door gaskets are firmly glued/ fixed to the door.
✓	Dørpakninger har tilfredsstillende pakningstrykk.	Door gaskets provide satisfactory sealing.
✓	Sjekk at det ikke "lyser gjennom" i dørpakning eller andre sammenføyninger.	Check for "light through" at door seals and other relevant locations.
✓	Trekkhender osv fungerer normalt.	The function of air valve handle etc is normal.

Jøtul bekrefter herved at dette produktet er kontrollert og funnet å være i samsvar med våre kvalitetsnormer.	Jøtul hereby confirm that this product has been QC inspected and found to comply with our quality standards.
Lot. No. / Serie nr. - Checked by / kontrollert av	

Cat.no. 10049076 -P03
Jøtul AS, Apr. 2016

Jøtul pursue a policy of constant product development. Products supplied may therefore differ in specification, colour and type of accessories from those illustrated and described in the brochure.

Jøtul vise sans cesse à améliorer ses produits. C'est pourquoi, il se réserve le droit de modifier les spécifications, couleurs et équipements sans avis préalable.

Quality

Jøtul AS has a quality system that conforms to NS-EN ISO 9001 for product development, manufacturing, and distribution of stoves and fireplaces. This policy gives our customers quality and safety piece of mind as a result of Jøtul's vast experience dating back to when the company first started in 1853.

Qualité

Le système de contrôle de la qualité de Jøtul AS est conforme à la norme NS-EN ISO 9001 relative à la conception, à la fabrication et à la distribution de poêles, poêles et inserts. Cette politique nous permet d'offrir à nos clients une qualité et une sécurité reposant sur la vaste expérience accumulée par Jøtul depuis sa création en 1853.



Jøtul AS,
P.o. box 1411
N-1602 Fredrikstad,
Norway
www.jotul.com